

SMD3 (0603) NTC THERMISTORS

SPECIFICATIONS

- 0.04K to 200K Ohms
- Resistance @ +25°C
- Tape and Reel packaging for automatic placement
- Available in $\pm 1\%$, $\pm 3\%$, $\pm 5\%$ or $\pm 10\%$ tolerance @ +25°C
- Cost effective

Dimensions

SMD3 SERIES THERMISTORS

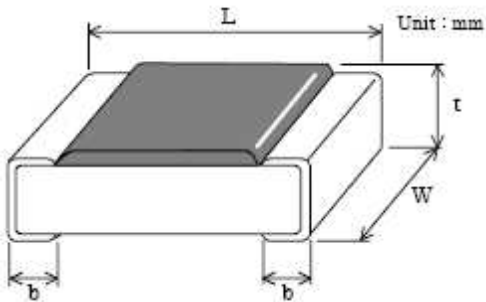
Standard Surface Mount NTC Thermistor available in the **0603** package.

FEATURES

- 0.04 to 200K Ohms Resistance @ +25°C
- Tape & Reel packaging for automatic placement
- Low cost
- Temperature range -40°C to +125°C
- RoHS Compliant

APPLICATIONS

- Temperature sensing, control and detection
- Temperature compensation of transistors, IC's and crystal oscillators in mobile
- Consumer electronics
- Automotive electronics
- LCD controls



	L	W	t	b
SMD3	1.60±0.2	0.8±0.2	1.0 mm Max.	0.3 ±0.2

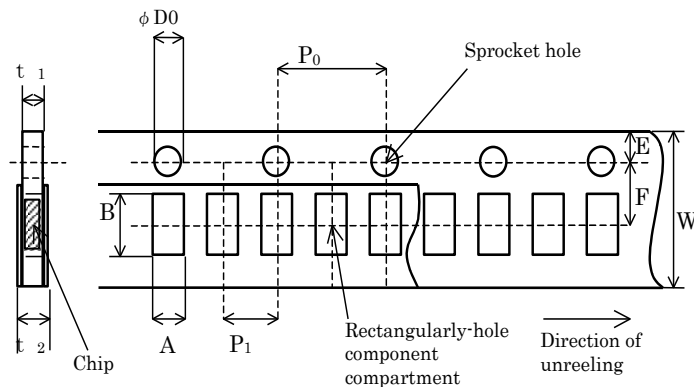
SMD3 (0603) NTC THERMISTORS

PRODUCT DEFINITION

Part Number	Resistance [Ω] @ +25°C	Tolerance @ +25°C	Beta Value 25/85	Tolerance on Beta Value	Dissipation Constant in still air @ +25°C	Maximum Rated Wattage @ +25°C
SMD3.04KJ280JT	40	± 5%	2800	± 5%	1.7 mW/°C	150 mW
SMD3.1KJ280JT	100	± 5%	2800	± 5%	1.7 mW/°C	150 mW
SMD3.5KJ320JT	500	± 5%	3200	± 5%	1.7 mW/°C	150 mW
SMD31KJ325JT	1000	± 5%	3250	± 5%	1.7 mW/°C	150 mW
SMD32KJ410JT	2000	± 5%	4100	± 5%	1.7 mW/°C	150 mW
SMD33KJ410JT	3000	± 5%	4100	± 5%	1.7 mW/°C	150 mW
SMD35KJ355JT	5000	± 5%	3550	± 5%	1.7 mW/°C	150 mW
SMD310KJ344JT	10000	± 5%	3435	± 5%	1.7 mW/°C	150 mW
SMD310KJ375JT	10000	± 5%	3750	± 5%	1.7 mW/°C	150 mW
SMD315KJ380JT	15000	± 5%	3800	± 5%	1.7 mW/°C	150 mW
SMD320KJ380JT	20000	± 5%	3800	± 5%	1.7 mW/°C	150 mW
SMD330KJ400JT	30000	± 5%	4000	± 5%	1.7 mW/°C	150 mW
SMD347KJ400JT	47000	± 5%	4000	± 5%	1.7 mW/°C	150 mW
SMD3100KJ415JT	100000	± 5%	4150	± 5%	1.7 mW/°C	150 mW
SMD3150KJ425JT	150000	± 5%	4250	± 5%	1.7 mW/°C	150 mW
SMD3200KJ425JT	200000	± 5%	4250	± 5%	1.7 mW/°C	150 mW

TAPE DIMENSIONS

Type of taping	Carrier tape	Top cover tape	Bottom cover tape
Taping of rectangular punched carrier system	Paper	Thermal adhesion plastics	Thermal adhesion paper

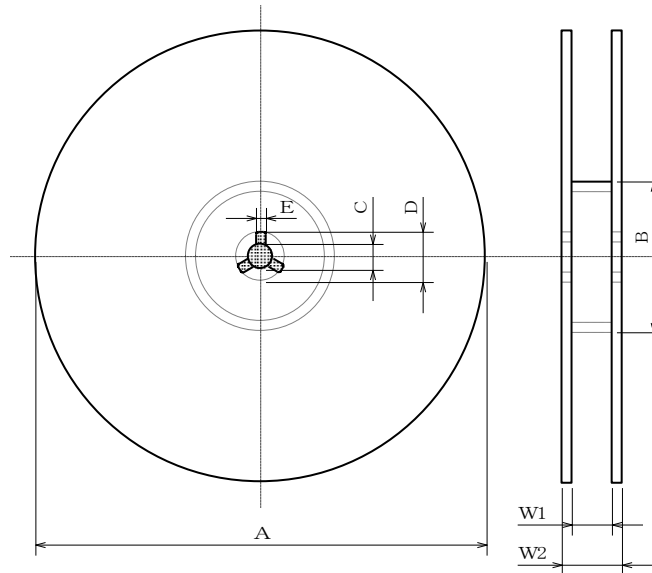


SMD3 (0603) NTC THERMISTORS

	A	B	W	F	E	Unit mm
SMD3 (0603)	1.1±0.05	1.90±0.20	8.00±0.30	3.50±0.05	1.75±0.10	
	P1	P2	P0	D0	t1	t2
SMD3 (0603)	4.00±0.1	2.00±0.05	4.00±0.10	1.55±0.05	-	1.0max.

Remark: Pitch tolerance over any 10 pitches of P0 is ±0.2mm.

REEL DIMENSION



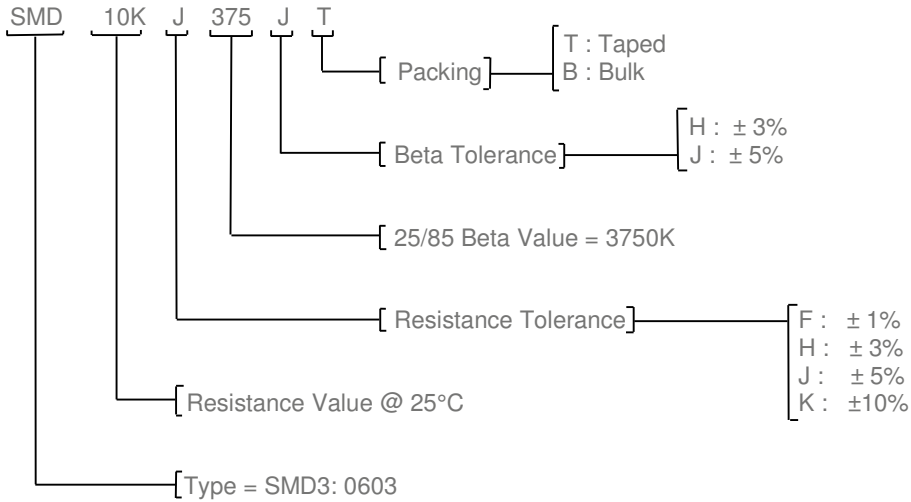
	A	B	C	D	E	Unit mm
SMD3 (0603)	180±20	>50	13±0.50	21±0.8	2±0.5	
	W1	W2				
SMD3 (0603)	10.00±1.50	6.00±0.5				

SMD3 (0603) NTC THERMISTORS

ORDERING INFORMATION

Example:

Part Number	Description	Ω @ +25°C	MOQ
SMD310KJ375JT	0603 SMD Series 3 Thermistor – Taped & Reeled	10000	3000



Note:

For Resistance Tolerance ±1% @ +25°C the Beta Tolerance = H (±3%)

For Resistance Tolerance ±3, 5 & 10% @ +25°C the Beta Tolerance = J (±5%)

NORTH AMERICA

Measurement Specialties, Inc.,
 a TE Connectivity Company
 1711 139th Lane NW
 Andover, MN 55304
 Tel: +1 763 689 4870
 Fax: +1 763 689 5033
 customercare.ando@te.com

EUROPE

Measurement Specialties (Europe), Ltd.,
 a TE Connectivity Company
 Ballybrit Business Park
 Galway Ireland
 Tel : +353-91-753238
 Fax : +353-91-770789
 Email: customercare.glwy@te.com

ASIA

Measurement Specialties (China), Ltd.,
 a TE Connectivity Company
 No. 368 Wulian 1st Road
 Gongxing Town
 Shuangliu, Chengdu
 Sichuan, 610200
 China
 Tel: +86 (0) 28 8573 9088
 Fax: +86 (0) 28 8573 9070
 Email: customercare.chdu@te.com

te.com/sensorsolutions

Measurement Specialties, Inc., a TE Connectivity company.

Measurement Specialties (MEAS), American Sensor Technologies (AST), TE Connectivity, TE Connectivity (logo) and EVERY CONNECTION COUNTS are trademarks. All other logos, products and/or company names referred to herein might be trademarks of their respective owners.

The information given herein, including drawings, illustrations and schematics which are intended for illustration purposes only, is believed to be reliable. However, TE Connectivity makes no warranties as to its accuracy or completeness and disclaims any liability in connection with its use. TE Connectivity's obligations shall only be as set forth in TE Connectivity's Standard Terms and Conditions of Sale for this product and in no case will TE Connectivity be liable for any incidental, indirect or consequential damages arising out of the sale, resale, use or misuse of the product. Users of TE Connectivity products should make their own evaluation to determine the suitability of each such product for the specific application.

© 2016 TE Connectivity Ltd. family of companies All Rights Reserved.