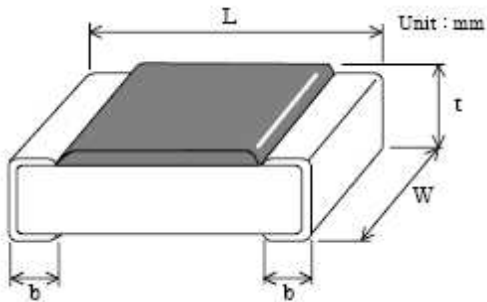


SMD2 (0805) NTC THERMISTORS

SPECIFICATIONS

- 0.04K Ohms to 500K Ohms
- Resistance @ +25°C
- Tape and Reel packaging for automatic placement
- Available in $\pm 1\%$, $\pm 3\%$, $\pm 5\%$ or $\pm 10\%$ tolerance @ +25°C
- Cost effective

Dimensions



	L	W	t	b
SMD2	2.00 \pm 0.2	1.25 \pm 0.2	1.2 mm Max.	0.4 \pm 0.2

SMD2 SERIES THERMISTORS

Standard Surface Mount NTC Thermistor available in the 0805 package.

FEATURES

- 0.04 to 500K Ohms Resistance @ +25°C
- Tape & Reel packaging for automatic placement
- Low cost
- Temperature range -40°C to +125°C
- RoHS Compliant

APPLICATIONS

- Temperature sensing, control and detection
- Temperature compensation of transistors, IC's and crystal oscillators in mobile
- Consumer electronics
- Automotive electronics
- LCD controls

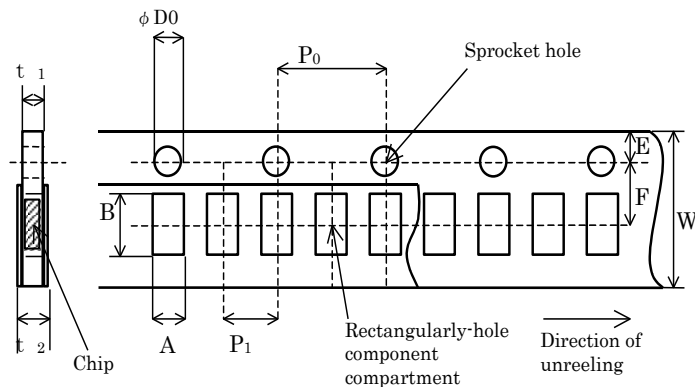
SMD2 (0805) NTC THERMISTORS

PRODUCT DEFINITION

Part Number	Resistance [Ω] @ +25°C	Tolerance @ +25°C	Beta Value 25/85	Tolerance on Beta Value	Dissipation Constant in still air @ +25°C	Maximum Rated Wattage @ +25°C
SMD2.04KJ280JT	40	± 5%	2800	± 5%	2 mW/°C	300 mW
SMD2.5KJ320JT	500	± 5%	3200	± 5%	2 mW/°C	300 mW
SMD22KJ410JT	2000	± 5%	4100	± 5%	2 mW/°C	300 mW
SMD23KJ410JT	3000	± 5%	4100	± 5%	2 mW/°C	300 mW
SMD25KJ355JT	5000	± 5%	3550	± 5%	2 mW/°C	300 mW
SMD210KJ344JT	10000	± 5%	3435	± 5%	2 mW/°C	300 mW
SMD210KJ375JT	10000	± 5%	3750	± 5%	2 mW/°C	300 mW
SMD215KJ380JT	15000	± 5%	3800	± 5%	2 mW/°C	300 mW
SMD220KJ380JT	20000	± 5%	3800	± 5%	2 mW/°C	300 mW
SMD230KJ400JT	30000	± 5%	4000	± 5%	2 mW/°C	300 mW
SMD247KJ400JT	47000	± 5%	4000	± 5%	2 mW/°C	300 mW
SMD2100KJ415JT	100000	± 5%	4150	± 5%	2 mW/°C	300 mW
SMD2150KJ425JT	150000	± 5%	4250	± 5%	2 mW/°C	300 mW
SMD2200KJ425JT	200000	± 5%	4250	± 5%	2 mW/°C	300 mW

TAPE DIMENSIONS

Type of taping	Carrier tape	Top cover tape	Bottom cover tape
Taping of rectangular punched carrier system	Paper	Thermal adhesion plastics	Thermal adhesion paper

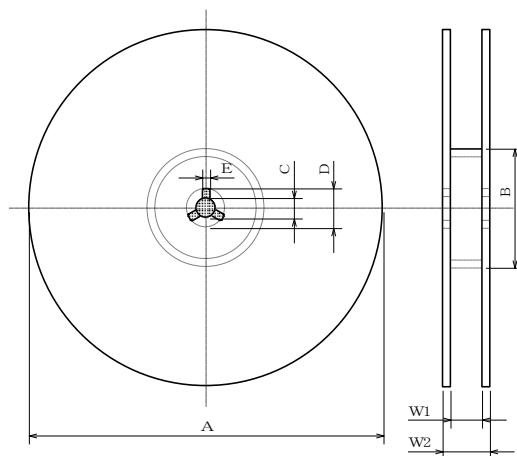


	A	B	W	F	E	Unit mm
SMD2	1.45±0.10	2.25±0.20	8.00±0.30	3.50±0.05	1.75±0.10	
	P1	P2	P0	D0	t1	t2
SMD2	4.00±0.1	2.00±0.05	4.00±0.10	1.55±0.05	0.30max.	1.4max.

SMD2 (0805) NTC THERMISTORS

Remark: Pitch tolerance over any 10 pitches of P0 is $\pm 0.2\text{mm}$.

REEL DIMENSION

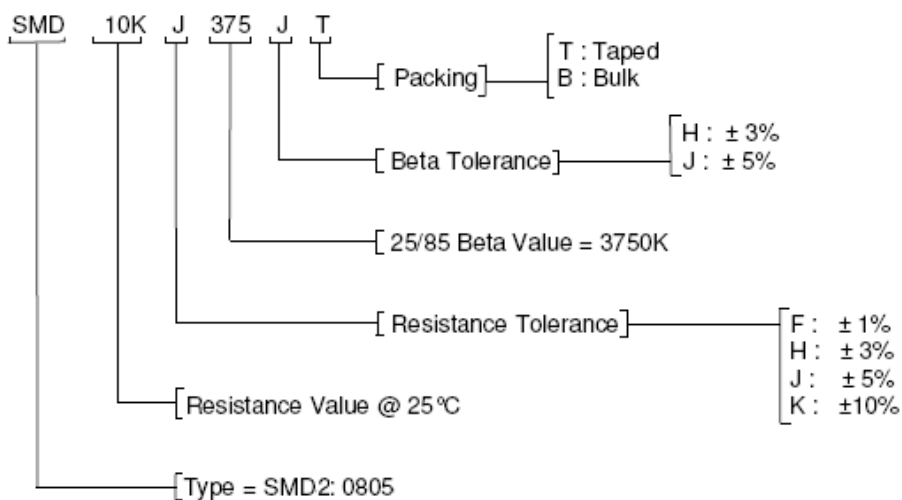


	A	B	C	D	E	Unit mm
SMD2	180 \pm 20	>50	13 \pm 0.50	21 \pm 0.8	2 \pm 0.5	
	W1	W2				
SMD2	10.00 \pm 1.50	6.00 \pm 0.5				

ORDERING INFORMATION

Example:

Part Number	Description	Ω @ +25°C	MOQ
SMD210KJ375JT	0805 SMD Series 2 Thermistor – Taped & Reeled	10,000	3000



Note:

For Resistance Tolerance $\pm 1\%$ @ +25°C the Beta Tolerance = H ($\pm 3\%$)

For Resistance Tolerance $\pm 3, 5$ & 10% @ +25°C the Beta Tolerance = J ($\pm 5\%$)

NORTH AMERICA

Measurement Specialties, Inc.,
a TE Connectivity Company
1711 139th Lane NW
Andover, MN 55304
Tel: +1 763 689 4870
Fax: +1 763 689 5033
customercare.ando@te.com

EUROPE

Measurement Specialties (Europe), Ltd.,
a TE Connectivity Company
Ballybrit Business Park
Galway Ireland
Tel : +353-91-753238
Fax : +353-91-770789
Email: customercare.glwy@te.com

ASIA

Measurement Specialties (China), Ltd.,
a TE Connectivity Company
No. 368 Wulian 1st Road
Gongxing Town
Shuangliu, Chengdu
Sichuan, 610200
China
Tel: +86 (0) 28 8573 9088
Fax: +86 (0) 28 8573 9070
Email: customercare.chdu@te.com

te.com/sensorsolutions

Measurement Specialties, Inc., a TE Connectivity company.

Measurement Specialties (MEAS), American Sensor Technologies (AST), TE Connectivity, TE Connectivity (logo) and EVERY CONNECTION COUNTS are trademarks. All other logos, products and/or company names referred to herein might be trademarks of their respective owners.

The information given herein, including drawings, illustrations and schematics which are intended for illustration purposes only, is believed to be reliable. However, TE Connectivity makes no warranties as to its accuracy or completeness and disclaims any liability in connection with its use. TE Connectivity's obligations shall only be as set forth in TE Connectivity's Standard Terms and Conditions of Sale for this product and in no case will TE Connectivity be liable for any incidental, indirect or consequential damages arising out of the sale, resale, use or misuse of the product. Users of TE Connectivity products should make their own evaluation to determine the suitability of each such product for the specific application.

© 2016 TE Connectivity Ltd. family of companies All Rights Reserved.