

RELAY PACKAGE SNR

GENERAL PURPOSE RELAYS
PRODUCT SETS

INTRODUCTION

TE's slim relays package consists of din rail sockets and relays, module width offering in 6.2mm, 1CO with 6A rated current. Ideal for increased package density on the din rail.

FEATURES

- Clear white printing.
- Relay snaps in the socket.
- Flexible snap on mount.
- Insert funnel for pins.
- Packing in compact 10pc. cardboard box.

APPLICATIONS

- Interface technology
- Panel board
- Mechanical engineering
- Plant control

APPROVALS

- Relay: VDE Cert. No. 40010063, cULus E214025
- Socket: VDE Cert. No. 40010063, cULus E224918

Note:

1. Technical data of approved types on request
2. For contact ratings see datasheet - Slim interface Relay SNR



RELAY PACKAGE SNR

GENERAL PURPOSE RELAYS PRODUCT SETS

CONTACT DATA

Contact configuration	1 CO	
Contact set	single contact	
Type of interruption	Micro disconnection	
Rated voltage/ max. switching voltage AC	240/400VAC	
Rated current	6 A	
Maximum breaking capacity AC	1500 VA	
Limiting breaking capacity, max. 4 s, duty factor 10%	10A	
Contact material	AgSnO ₂	AgSnO ₂ gold plated
Minimum contact load	100mA, 12V	50mW
Rated frequency of operation with/without load	6/1200 min-1	
Operate/release time	max 12/5 ms	
Bounce time NO/NC contact	max 3/8 ms	

CONTACT RATINGS

For contact ratings see datasheet	Slim interface Relay SNR
-----------------------------------	--------------------------

INSULATION

Dielectric strength		
Coil-contact circuit	4000Vrms	
Open contact circuit	1000Vrms	
Clearance /creepage coil-contact circuit	≥ 6 / 8 mm	
Material group of insulation parts	IIIa	
Insulation to IEC 60664-1		
Type of insulation		
Coil-contact circuit	reinforced	
Open contact circuit	Micro disconnection	
Rated insulation voltage	250 V	
Pollution degree	3	2
Rated voltage system	240 V	230 / 400 V
Overtoltage category	III	

ACCESSORIES

For details see datasheet	Slim interface Relay SNR
---------------------------	--------------------------

INPUT DATA

Rated input voltage DC	12, 24 VDC, 230 VAC/VDC*
Operative range to IEC 61810	2

* Version 230 VAC/VDC equipped with 60 VDC relay

COIL VERSIONS, DC COIL

Coil code	Rated voltage VDC	Operate voltage VDC	Release voltage VDC	Coil resistance Ω±10%	Rated coil power mW
LB2	12	8.4	0.6	848	184
LC4	24	16.8	1.2	3390	220

COIL VERSIONS, AC COIL 50 Hz

Coil code	Rated voltage VAC	Operate voltage 50Hz VAC	Release voltage 50Hz VAC	Coil resistance Ω	Rated coil power 50Hz mVA
TPO	230	160.0	15.0	N/A	736

Other coil voltages on request.

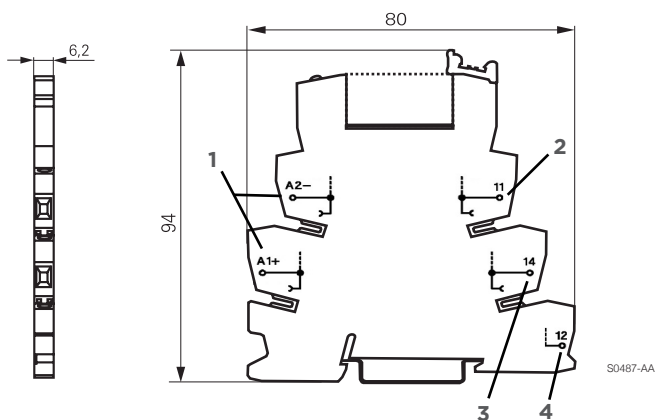
OTHER DATA

Mechanical endurance	10 x 10 ⁶ cycles
Material compliance	EU RoHS/ELV, China RoHS, REACH, Halogen content refer to the Product Compliance Support Center at www.te.com/customer-support/rohssupportcenter
Environment	
Ambient temperature range	-40...+55°C
Processing	
Terminals	screw
Terminal screw torque acc. IEC 61984	0.5 Nm
Max.	0.6 Nm
Wire cross section	
Single wire	0.14...2.5 mm ²
Fine wire	0.14...2.5 mm ²
With bootlace crimp (DIN 46228/1)	0.14...2.5 mm ²
Insertion cycles	A (10)
Max. Insertion Force total	100 N
Mounting distance	≥ 0 mm, dense packing of sockets
Weight	32 g
Packaging unit	10 pcs

RELAY PACKAGE SNR

GENERAL PURPOSE RELAYS PRODUCT SETS

DIMENSIONS

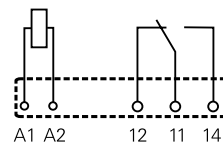


Version with screw terminals

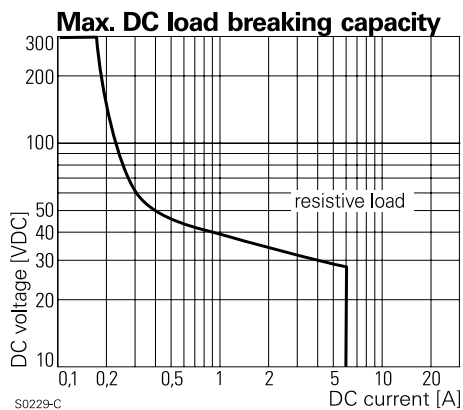
1. Coil terminal with polarity definition A1+, A2-, screw terminal.
2. NC terminal, screw terminal.
3. CO terminal, screw terminal.
4. NO terminal, screw terminal.

TERMINAL ASSIGNMENT

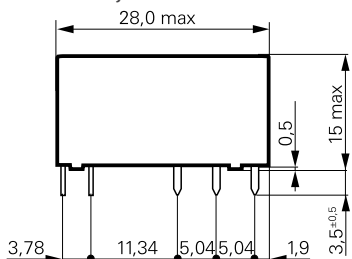
1 form C contact (1 CO)



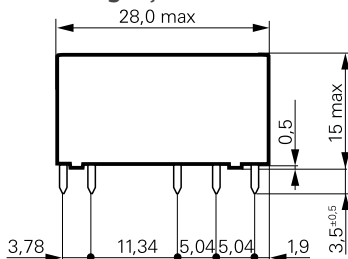
GRAPH



PCB, Vertical Version



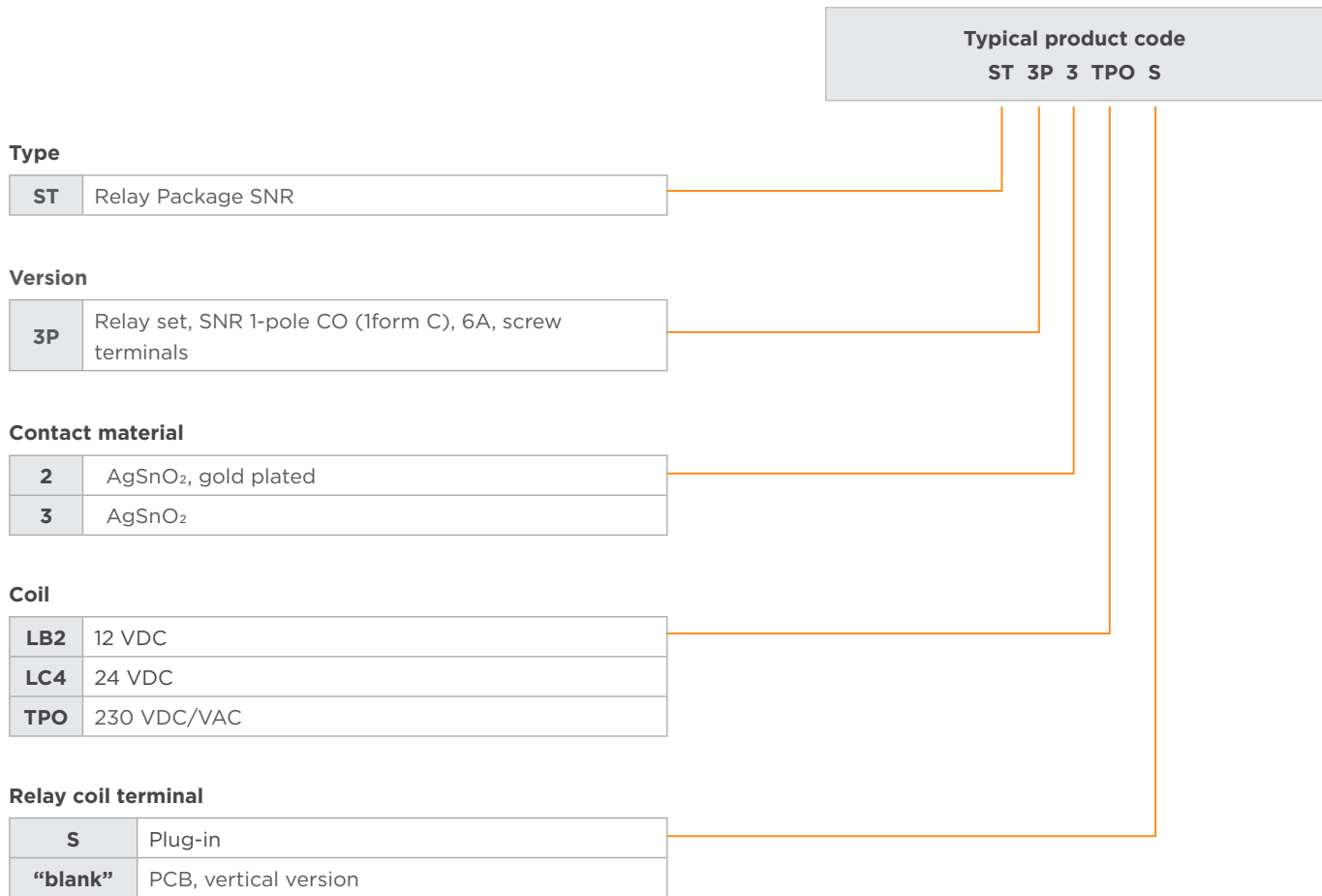
Plug-in, Vertical Version



PRODUCT INFORMATION

Product code	Socket	Terminals	Relay	Contacts	Coil	Part Number
ST3P2LC4	ST3FLC4	Screw	V23092-A1024-A201	AgSnO ₂ gold pl.	24VDC	3-1416100-0
ST3P3LB2	ST3FLC4	Screw	V23092-A1012-A301	AgSnO ₂	12VDC	3-1416100-1
ST3P3LC4	ST3FLC4	Screw	V23092-A1024-A301	AgSnO ₂	24VDC	3-1416100-2
ST3P3TP0	ST3FTP0	Screw	V23092-A1060-A301	AgSnO ₂	230VDC/VAC	3-1416100-4
ST3P2LC4S	ST3FLC4	Screw	V23092-S1024-A201	AgSnO ₂ gold pl.	24VDC	3-1416101-0
ST3P3LB2S	ST3FLC4	Screw	V23092-S1012-A301	AgSnO ₂	12VDC	3-1416101-1
ST3P3LC4S	ST3FLC4	Screw	V23092-S1024-A301	AgSnO ₂	24VDC	3-1416101-2
ST3P3TP0S	ST3FTP0	Screw	V23092-S1060-A301	AgSnO ₂	230VDC/VAC	3-1416101-4

PRODUCT CODE STRUCTURE



Other types on request

Notes:

1. Datasheets and product specification according to IEC 61810-1 and to be used only together with the 'Definitions' section.
2. Datasheets and product data is subject to the terms of the disclaimer and all chapters of the 'Definitions' section, available at <http://relays.te.com/definitions>.
3. Datasheets, product data, 'Definitions' section, application notes and all specifications are subject to change.

te.com

©2023 TE Connectivity. All Rights Reserved.

TE Connectivity, TE Connectivity (logo) and Every Connection Counts are trademarks. All other logos, products and/or company names referred to herein might be trademarks of their respective owners.

While TE has made every reasonable effort to ensure the accuracy of the information in this document, TE does not guarantee that it is error-free, nor does TE make any other representation, warranty or guarantee that the information is accurate, correct, reliable or current. TE reserves the right to make any changes to the information contained herein without prior notice. TE Connectivity assumes only those obligations set forth in the terms and conditions for this product and shall in no event be liable for any incidental, indirect, or consequential damages arising out of the sale, resale, use, or misapplication of the product. TE expressly disclaims any implied warranties with respect to the information contained herein, including, but not limited to, implied warranties of merchantability or fitness for a particular purpose. Dimensions, specifications and/or information contained herein are for reference purposes only and are subject to change without notice. Consult TE for the latest dimensions, specifications and/or information. Users of TE Connectivity products must make their own assessment as to whether the respective product is suitable for the respective desired application.

Issue Date: 11/23 ED