

K61 Series Make Only Load Switching — 35 kV Relays

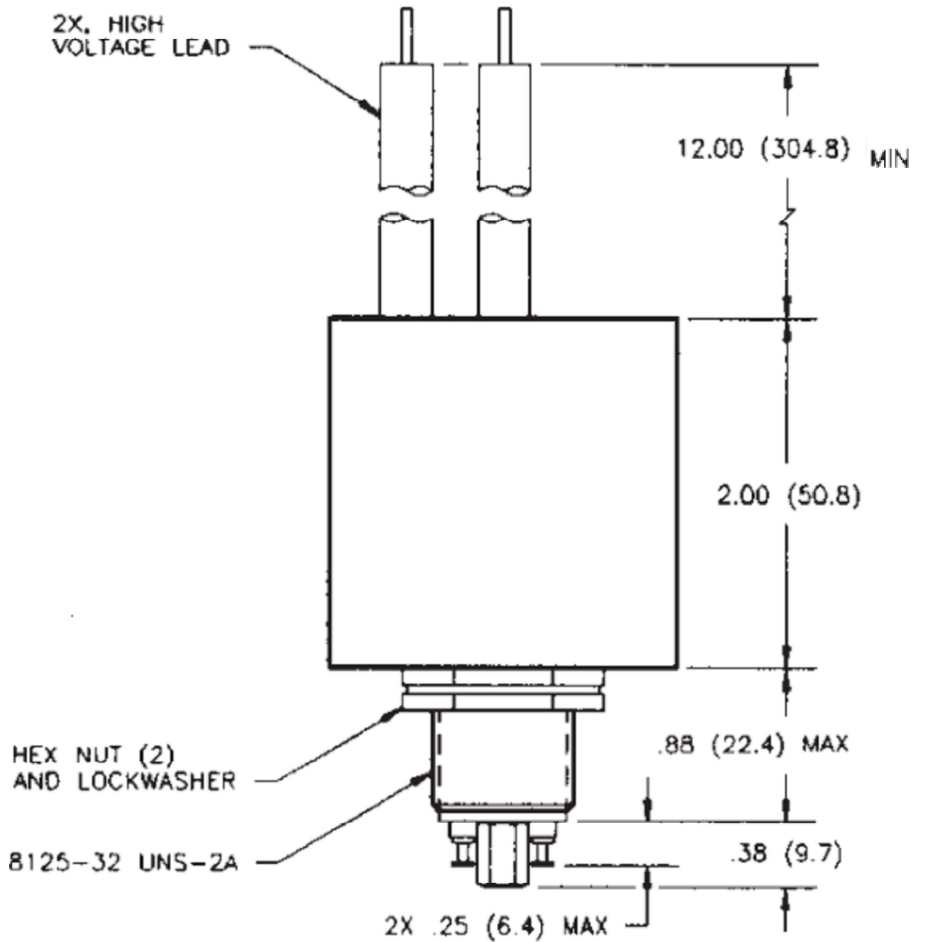
REVISIONS				
REV.	ECO	DESCRIPTION	DATE	APPROVED
A	-	INITIAL DRAWING	09JUL2020	JR

K61A and K61B Product Facts for K61A and K61B

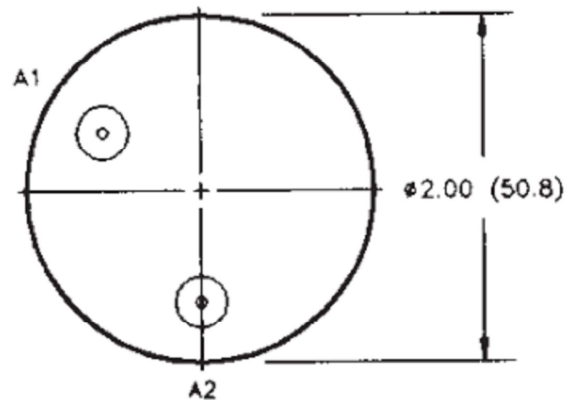
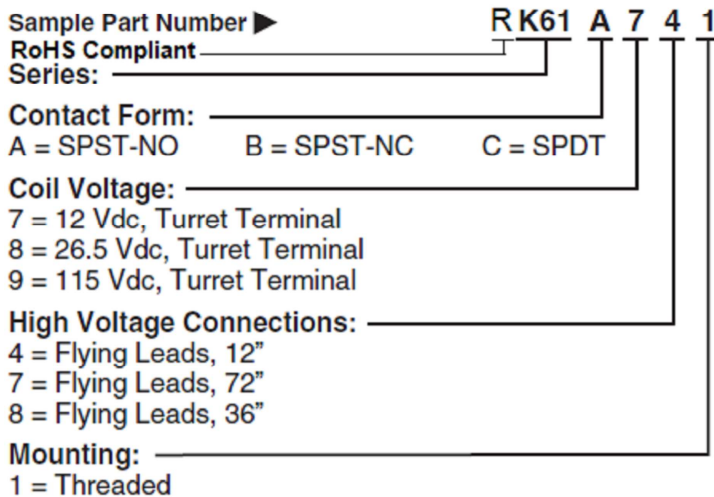
- SF-6 gas-filled relay excellent for capacitive discharge applications
- Widely used in test equipment and medical instruments
- Fully operable in air and suitable for adverse environments



2X. HIGH VOLTAGE LEAD



Ordering Information

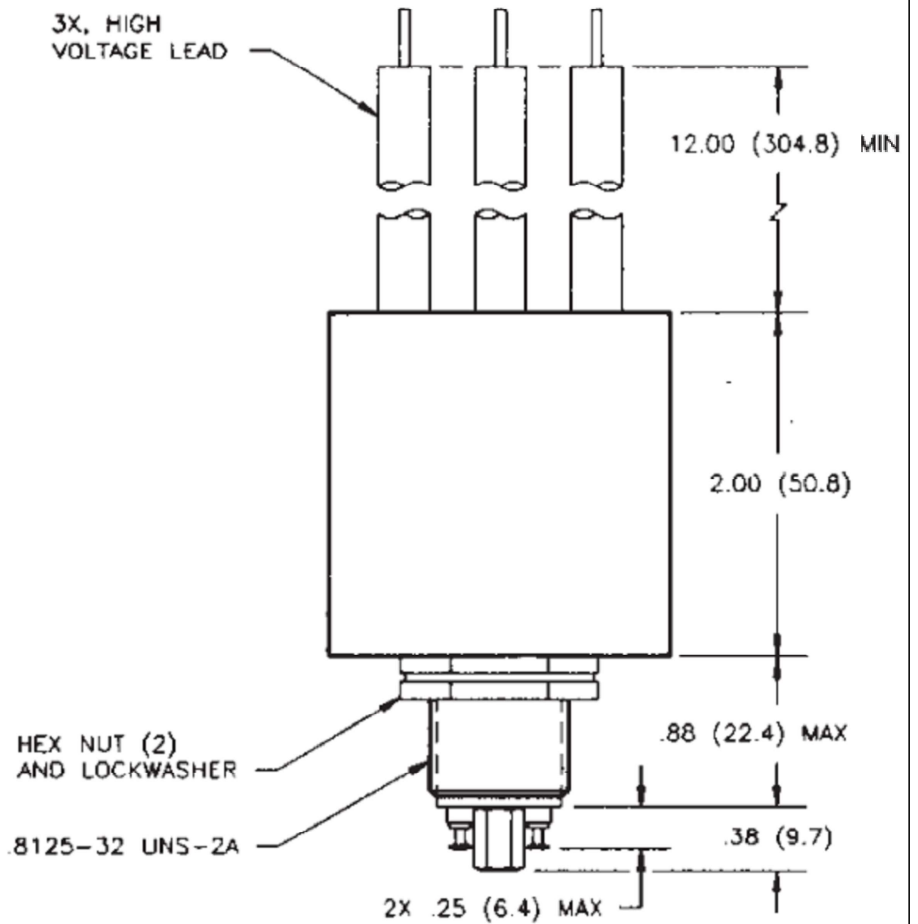
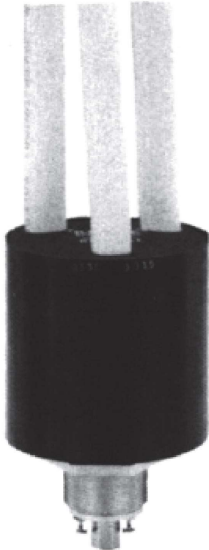


ALL DIMENSIONS ARE IN INCHES(mm)

<p>TE CONNECTIVITY CARPINTERIA, CA 93013</p>	TITLE			
	RK61-SERIES MAKE ONLY LOAD SWITCHING			
		DWG NO.		
		RK61-SERIES		
DS	DATA SHEET	CAGE CODE	SCALE	SHEET
		-	NONE	1 OF 2
				REV
				A

K61C
Product Facts for K61C

- 35 kV rating in compact, durable package
- SF-6 gas-filled relay excellent for capacitive discharge applications
- SPDT version of K61



Product Specifications for K61A, K61B and K61C

Contact Arrangement —

- K61A — SPST-NO
- K61B — STST-NC
- K61C — SPDT

Contact Form —

- K61A — A
- K61B — B
- K61C — C

Test Voltage, DC or 60 Hz (Peak) —
 40 kV

Rated Operating Voltage (Peak) —
 DC or 60 Hz — 35 kV

Continuous Carry Current, Max. —
 DC or 60 Hz — 10 A
 Coil Hi-Pot (Vrms, 60 Hz) — 500 A

Contact Resistance, Max. —
 1.0 ohm*

Operate Time, Max. — 15 ms

Release Time, Max. — 15 ms

Shock, 11ms, 1/2 Sine (Peak) —
 20 g

Vibration —

Peak — 10 g (55 to 500 Hz)

Operating Ambient Temperature Range —
 -55°C to +85°C

Mechanical Life — 1 million cycles

Weight, Nominal — 340 g (12 oz.)

Note:

*Contact resistance for gas-filled relays measured at 28 Vdc, 1 Amp

Coil Data

Volts, Nominal DC	12 V	26.5 V	115 V
Pickup, Max.	9 Vdc	18 Vdc	90 Vdc
Dropout	.5-5 Vdc	1-10 Vdc	5-50 Vdc
Coil Resistance (±10%)	30 Ω	125 Ω	2000 Ω

Ratings listed are for 25°C, sea level conditions

For factory-direct application assistance, dial 800-253-4560, ext. 2055, or 805-220-2055.

ALL DIMENSIONS ARE IN INCHES(mm)



TE CONNECTIVITY
 CARPINTERIA, CA 93013

TITLE

RK61-SERIES MAKE ONLY LOAD SWITCHING

DWG NO.

RK61-SERIES

DS DATA SHEET

CAGE CODE
 —

SCALE
 NONE

SHEET
 2 OF 2

REV
 A