



SOLISTRAND

TE Internal #: 8-53125-1

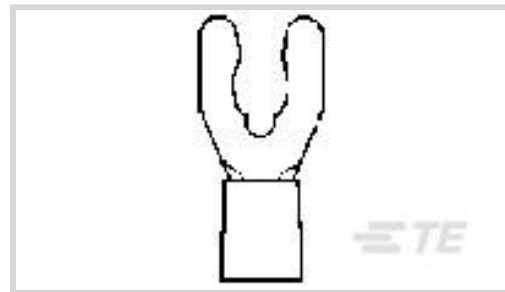
Rings & Spades, Spring Spade, 16 – 14AWG Wire Size, 1.25 – 2mm²

Wire Size, 2050 – 5180CMA Wire Size, #10, Stud Diameter 4.82 mm

[.19 in]

[View on TE.com >](#)

Terminals & Splices > Rings & Spades

Terminal & Splice Type: **Spring Spade**Wire Size: **2050 – 5180 CMA**Ring & Spade Stud Size: **#10****Features****Product Type Features**

Shape Description	SPADE-033
Ring & Spade Stud Size	#10
Ring & Spade Barrel Type	Closed Barrel
Sealable	No
Insulated	No
Ring & Spade Wire/Cable Type	Regular Wire
Support Style	Non - Insulation Support

Configuration Features

Terminal Angle	Straight
----------------	----------

Body Features

Ring & Spade Plating Material	Tin
-------------------------------	-----

Contact Features

Terminal & Splice Type	Spring Spade
Ring & Spade Terminal Orientation	Offset

Mechanical Attachment

Wire Insulation Support	Without
-------------------------	---------

Dimensions

Wire Size	2050 – 5180 CMA
Stud Diameter	4.82 mm [.19 in]



Tongue Thickness	.79 mm[.031 in]
Ring & Spade Overall Length	17.39 mm[.685 in]
Barrel Inside Diameter	2.16 mm[.085 in]

Usage Conditions

Insulation Requirement	Uninsulated
Operating Temperature Range	170 °C[338 °F]

Operation/Application

Heavy Duty	No
------------	----

Industry Standards

Government Qualified	No
----------------------	----

Packaging Features

Packaging Quantity	100
Ring & Spade Packaging Method	Loose Piece

Product Compliance

[For compliance documentation, visit the product page on TE.com>](#)

EU RoHS Directive 2011/65/EU	Compliant
EU ELV Directive 2000/53/EC	Compliant
China RoHS 2 Directive MIIT Order No 32, 2016	No Restricted Materials Above Threshold
EU REACH Regulation (EC) No. 1907/2006	Current ECHA Candidate List: JAN 2021 (211) Candidate List Declared Against: JAN 2020 (205) SVHC > Threshold: Not Yet Reviewed
Halogen Content	Low Halogen - Br, Cl, F, I < 900 ppm per homogenous material. Also BFR/CFR/PVC Free
Solder Process Capability	Not applicable for solder process capability

Product Compliance Disclaimer

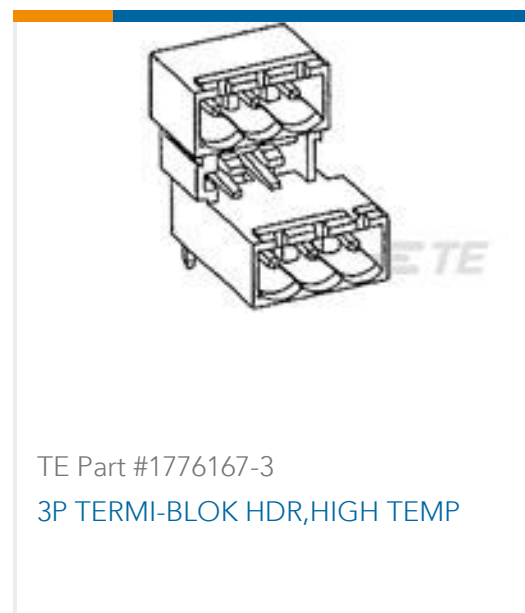
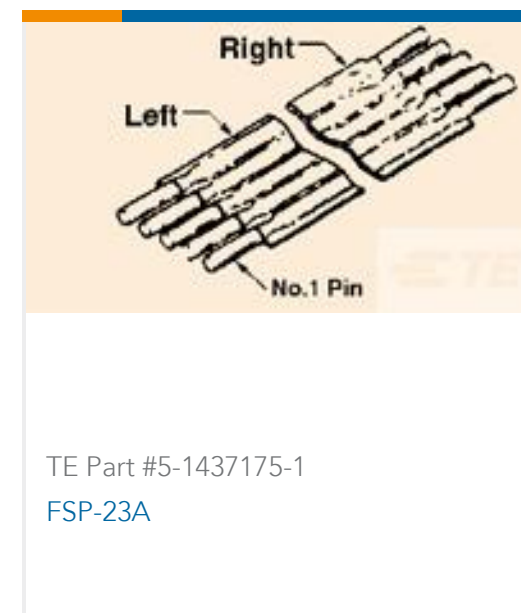
This information is provided based on reasonable inquiry of our suppliers and represents our current actual knowledge based on the information they provided. This information is subject to change. The part numbers that TE has identified as EU RoHS compliant have a maximum concentration of 0.1% by weight in homogenous materials for lead, hexavalent chromium, mercury, PBB, PBDE, DBP, BBP, DEHP, DIBP, and 0.01% for cadmium, or qualify for an exemption to these limits as defined in the Annexes of Directive 2011/65/EU (RoHS2). Finished electrical and electronic equipment products will be CE marked as required by Directive 2011/65/EU. Components may not be CE marked. Additionally, the part numbers that TE has identified as EU ELV compliant have a maximum concentration of 0.1% by weight in homogenous materials for lead, hexavalent chromium, and mercury, and 0.01% for cadmium, or qualify for an exemption to these limits as defined in the Annexes of Directive 2000/53/EC (ELV). Regarding the REACH Regulation, the information TE provides

on SVHC in articles for this part number is based on the latest European Chemicals Agency (ECHA) 'Guidance on requirements for substances in articles' posted at this URL: <https://echa.europa.eu/guidance-documents/guidance-on-reach>

Compatible Parts



Customers Also Bought



Documents

Product Drawings

SOLIS SPR SPD 16-14, 10

English



CAD Files

Customer View Model

[ENG_CVM_8-53125-1_C.3d_igs.zip](#)

English

Customer View Model

[ENG_CVM_8-53125-1_C.3d_stp.zip](#)

English

Customer View Model

[ENG_CVM_8-53125-1_C.2d_dxf.zip](#)

English

3D PDF

English

By downloading the CAD file I accept and agree to the [Terms and Conditions](#) of use.