



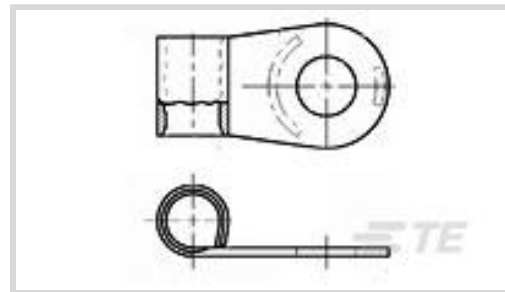
SOLISTRAND

TE Internal #: 36865

Rings & Spades, Flag Tongue, 16 – 14AWG Wire Size, 1.04 – 2.62 mm² Wire Size, 2050 – 5180CMA Wire Size, #10, Stud Diameter 5 mm [.197 in]

[View on TE.com >](#)

Terminals & Splices > Rings & Spades



Terminal & Splice Type: **Flag Tongue**

Wire Size: **2050 – 5180 CMA**

Ring & Spade Stud Size: **#10**

Features

Product Type Features

Shape Description	RING-091
Ring & Spade Stud Size	#10
Ring & Spade Barrel Type	Closed Barrel
Sealable	No
Insulated	No
Ring & Spade Wire/Cable Type	Regular Wire
Support Style	Non - Insulation Support

Configuration Features

Number of Holes	1
Terminal Angle	Straight

Body Features

Inspection Slot	No
Weight per Piece	2.064 g
Ring & Spade Plating Material	Copper, Tin

Contact Features

Terminal & Splice Type	Flag Tongue
Ring & Spade Terminal Orientation	Flag

Mechanical Attachment

Wire Insulation Support	Without
-------------------------	---------



Dimensions

Wire Size	2050 – 5180 CMA
Stud Diameter	5 mm [.197 in]
Tongue Thickness	1.22 mm [.05 in]
Ring & Spade Overall Length	19.86 mm [.78 in]
Barrel Inside Diameter	2.67 mm [.105 in]

Usage Conditions

Insulation Requirement	Uninsulated
Operating Temperature Range	170 °C [338 °F]

Operation/Application

Heavy Duty	No
------------	----

Industry Standards

Government Qualified	No
----------------------	----

Packaging Features

Packaging Quantity	1
Ring & Spade Packaging Method	Loose Piece

Product Compliance

[For compliance documentation, visit the product page on TE.com>](#)

EU RoHS Directive 2011/65/EU	Compliant
EU ELV Directive 2000/53/EC	Compliant
China RoHS 2 Directive MIIT Order No 32, 2016	No Restricted Materials Above Threshold
EU REACH Regulation (EC) No. 1907/2006	Current ECHA Candidate List: JAN 2021 (211) Candidate List Declared Against: JUN 2020 (209) SVHC > Threshold: Not Yet Reviewed
Halogen Content	Low Halogen - Br, Cl, F, I < 900 ppm per homogenous material. Also BFR/CFR/PVC Free
Solder Process Capability	Not reviewed for solder process capability

Product Compliance Disclaimer

This information is provided based on reasonable inquiry of our suppliers and represents our current actual knowledge based on the information they provided. This information is subject to change. The part numbers that TE has identified as


EU RoHS compliant have a maximum concentration of 0.1% by weight in homogenous materials for lead, hexavalent chromium, mercury, PBB, PBDE, DBP, BBP, DEHP, DIBP, and 0.01% for cadmium, or qualify for an exemption to these limits as defined in the Annexes of Directive 2011/65/EU (RoHS2). Finished electrical and electronic equipment products will be CE marked as required by Directive 2011/65/EU. Components may not be CE marked. Additionally, the part numbers that TE has identified as EU ELV compliant have a maximum concentration of 0.1% by weight in homogenous materials for lead, hexavalent chromium, and mercury, and 0.01% for cadmium, or qualify for an exemption to these limits as defined in the Annexes of Directive 2000/53/EC (ELV). Regarding the REACH Regulation, the information TE provides on SVHC in articles for this part number is based on the latest European Chemicals Agency (ECHA) 'Guidance on requirements for substances in articles' posted at this URL: <https://echa.europa.eu/guidance-documents/guidance-on-reach>

Compatible Parts



TE Part # 36419
SOLIS FLAG R 16-14 14

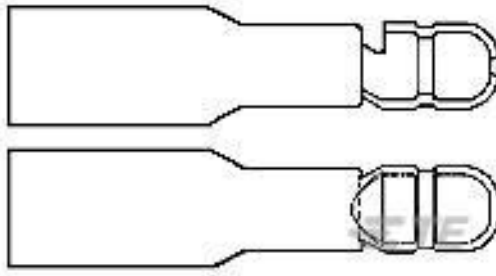
Customers Also Bought



TE Part #556207-000
342A124-100/86-0



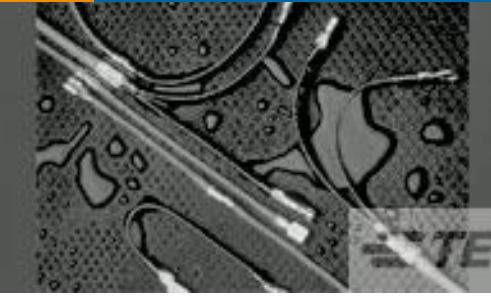
TE Part #940590-000
ST63-3-55-22-9



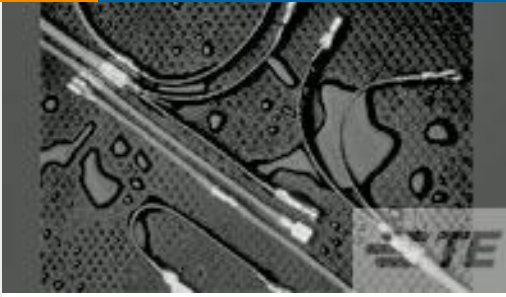
TE Part #CC2643-000
B-106-7502CS100



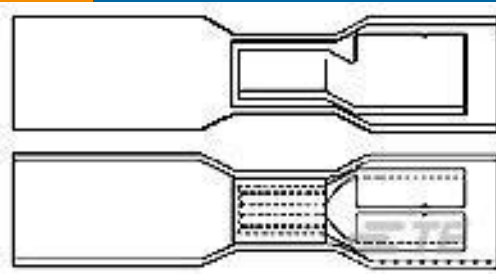
TE Part #YHV800-2P-90-50M-A
HVP800-2PHI XE,90,50SQMM,KEY A



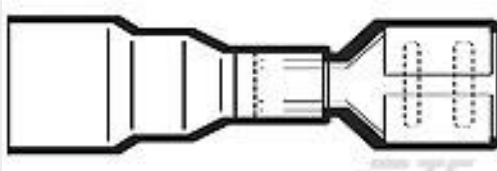
TE Part #CC2621-000
B-106-1501CS100



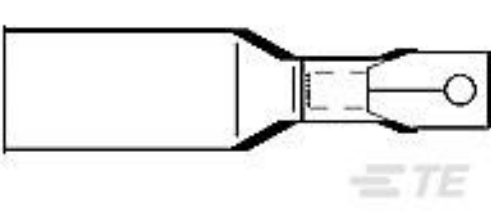
TE Part #CC2637-000
B-106-1802CS100



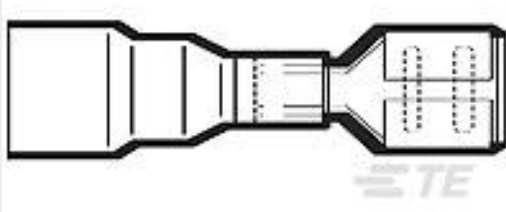
TE Part #CC2632-000
B-106-8401CS100



TE Part #CC2628-000
B-106-3631CS100



TE Part #CC2642-000
B-106-4632CS100



TE Part #CC2641-000
B-106-3632CS100



Documents

Product Drawings

[SOLIS FLAG RING 16-14 HD 10](#)

English