



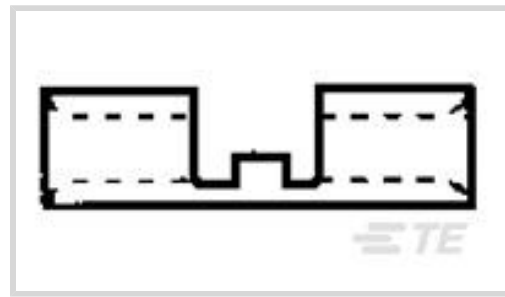
SOLISTRAND

TE Internal #: 328596

Splices, Splice, Splice, 14AWG Wire Size, 2 – 2.15mm² Wire Size, Strap, Barrel Inside Diameter .087 in [2.21 mm], 4.11kcmil Wire Size

[View on TE.com >](#)

Terminals & Splices > Splices



Splice Product Type: **Splice**

Terminal & Splice Type: **Splice**

Wire Size: **2 – 2.15 mm²**

Sealable: **No**

Features

Product Type Features

Splice Product Type	Splice
Sealable	No
Splice Type	Butt Splice
Serrated	Yes
Splice Accessory Type	Splice
Splice Barrel Type	Closed Barrel
Splice Wire/Cable Type	Regular Wire
Insulated	No
Support Style	Non - Insulation Support

Body Features

Plating Thickness	7.62 μm[30 μin]
Plating Material	Tin
Splice Features	Strap
Splice Material	Copper

Contact Features

Contact Plating Material	Gold
Contact Plating Thickness	1.27 μm[50 μin]
Terminal & Splice Type	Splice

Mechanical Attachment

--	--



Wire Insulation Support	Without
-------------------------	---------

Dimensions

Outside Diameter	4.06 mm[.16 in]
Inside Diameter (Recovered)	2.16 mm[.085 in]
Wire Size	4.11 kcmil
Barrel Inside Diameter	2.21 mm[.087 in]
Splice Material Thickness	1.01 mm[.04 in]
Splice Overall Length	15.01 mm[.591 in]

Usage Conditions

Insulation Requirement	Uninsulated
Operating Temperature Range	260 °C[500 °F]

Operation/Application

Heavy Duty	No
------------	----

Industry Standards

Government Qualified Splice	No
-----------------------------	----

Packaging Features

Packaging Quantity	1000
Splice Packaging Method	Loose Piece

Other

Military Category	No
-------------------	----

Product Compliance

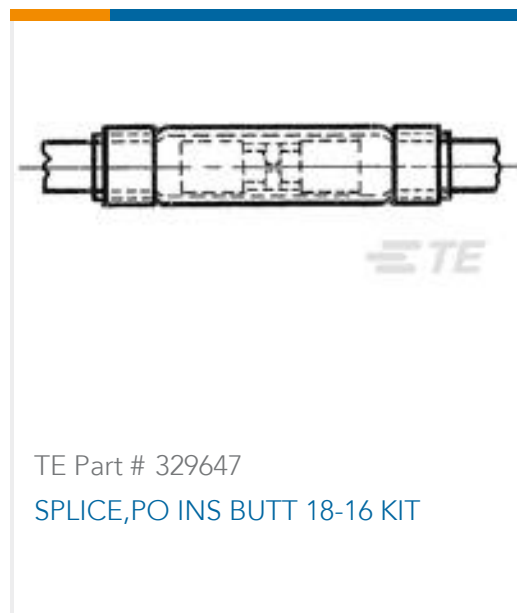
[For compliance documentation, visit the product page on TE.com>](#)

EU RoHS Directive 2011/65/EU	Compliant
EU ELV Directive 2000/53/EC	Compliant
China RoHS 2 Directive MIIT Order No 32, 2016	No Restricted Materials Above Threshold
EU REACH Regulation (EC) No. 1907/2006	Current ECHA Candidate List: JAN 2021 (211) Candidate List Declared Against: JAN 2021 (211) Does not contain REACH SVHC
Halogen Content	Not Yet Reviewed for halogen content
Solder Process Capability	Not applicable for solder process capability

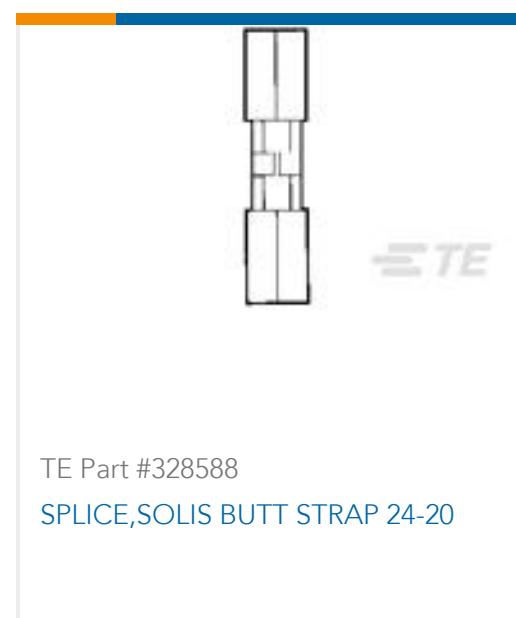
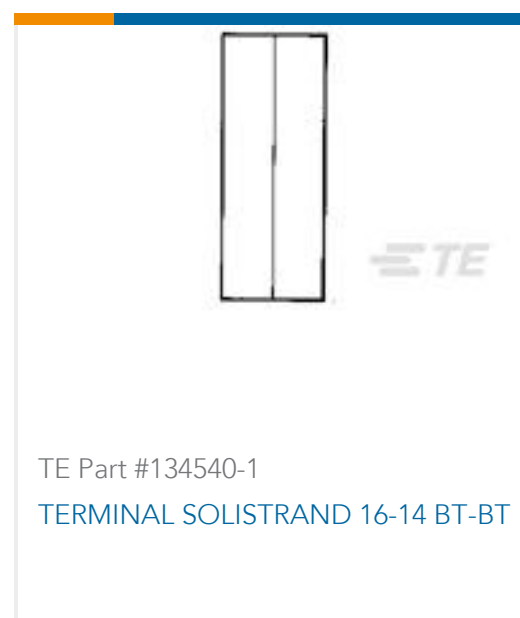
Product Compliance Disclaimer

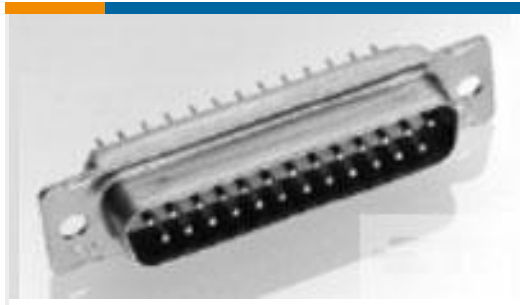
This information is provided based on reasonable inquiry of our suppliers and represents our current actual knowledge based on the information they provided. This information is subject to change. The part numbers that TE has identified as EU RoHS compliant have a maximum concentration of 0.1% by weight in homogenous materials for lead, hexavalent chromium, mercury, PBB, PBDE, DBP, BBP, DEHP, DIBP, and 0.01% for cadmium, or qualify for an exemption to these limits as defined in the Annexes of Directive 2011/65/EU (RoHS2). Finished electrical and electronic equipment products will be CE marked as required by Directive 2011/65/EU. Components may not be CE marked. Additionally, the part numbers that TE has identified as EU ELV compliant have a maximum concentration of 0.1% by weight in homogenous materials for lead, hexavalent chromium, and mercury, and 0.01% for cadmium, or qualify for an exemption to these limits as defined in the Annexes of Directive 2000/53/EC (ELV). Regarding the REACH Regulation, the information TE provides on SVHC in articles for this part number is based on the latest European Chemicals Agency (ECHA) 'Guidance on requirements for substances in articles' posted at this URL: <https://echa.europa.eu/guidance-documents/guidance-on-reach>

Compatible Parts

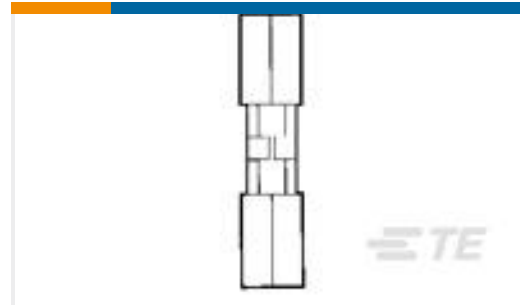


Customers Also Bought





TE Part #206799-1
RECEPT ASSY,15 POSN,AMPLIMITE



TE Part #328592
SPLICE,SOLIS BUTT AU 18-16

Documents

Product Drawings

[SPLICE,SOLIS BUTT AU 14](#)

English