

171353-2 ✓ ACTIVE

AMP-TY

TE Internal #: 171353-2

Cable Ties, Standard, Bag, 133.5Newton Tensile Strength, 30lbf Tensile Strength, Cable Tie Length 154 mm [6.06 in], Cable Tie Width .129 in [3.3 mm]

[View on TE.com >](#)



Wire & Cable > Wire & Cable Accessories > Cable Ties



Cable Tie Style: **Standard**

Cable Tie Packaging Method: **Bag**

Tensile Strength: **30 lbf**

Cable Tie Length: **154 mm [6.06 in]**

Features

Product Type Features

Product Type	Cable Tie
Cable Tie Style	Standard
Tensile Strength	30 lbf

Body Features

Cable Tie Color	Natural
Cable Tie Material	Nylon

Dimensions

Bundle Range Diameter	2 – 32 mm [.78 – 1.25 in]
Cable Tie Length	154 mm [6.06 in]
Cable Tie Width	3.3 mm [.129 in]
Cable Tie Thickness	1.3 mm [.051 in]

Industry Standards

UL Flammability Rating	UL 94V-0
------------------------	----------

Packaging Features

Cable Tie Packaging Method	Bag
Cable Tie Packaging Quantity	100

Product Compliance

[For compliance documentation, visit the product page on TE.com>](#)

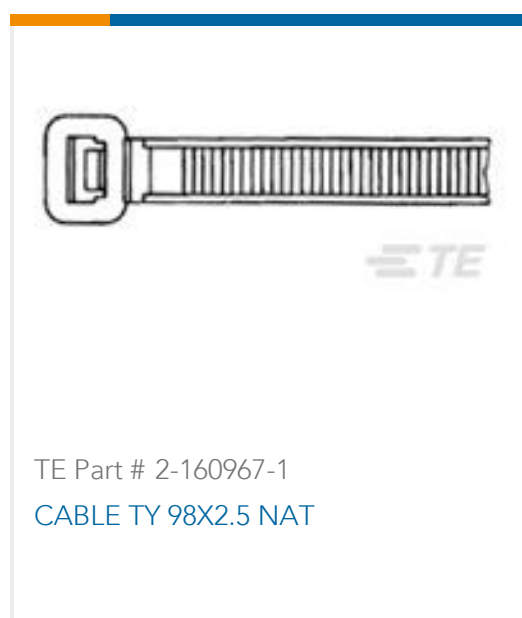


EU RoHS Directive 2011/65/EU	Compliant
EU ELV Directive 2000/53/EC	Compliant
China RoHS 2 Directive MIIT Order No 32, 2016	No Restricted Materials Above Threshold
EU REACH Regulation (EC) No. 1907/2006	Current ECHA Candidate List: JUN 2020 (209) Candidate List Declared Against: JUN 2016 (169) SVHC > Threshold: Not Yet Reviewed
Halogen Content	Not Yet Reviewed for halogen content
Solder Process Capability	Not applicable for solder process capability

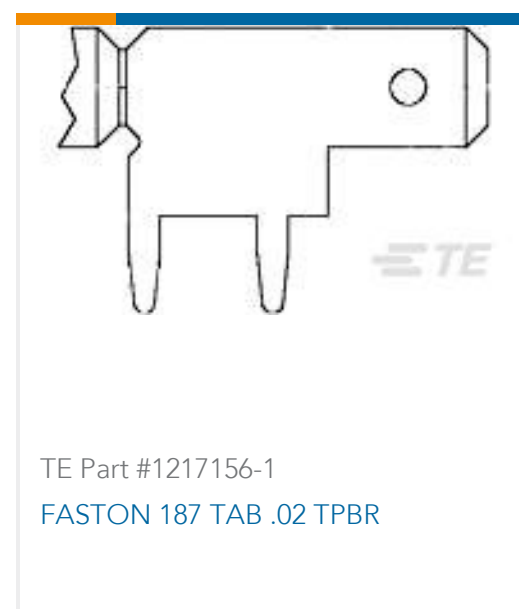
Product Compliance Disclaimer

This information is provided based on reasonable inquiry of our suppliers and represents our current actual knowledge based on the information they provided. This information is subject to change. The part numbers that TE has identified as EU RoHS compliant have a maximum concentration of 0.1% by weight in homogenous materials for lead, hexavalent chromium, mercury, PBB, PBDE, DBP, BBP, DEHP, DIBP, and 0.01% for cadmium, or qualify for an exemption to these limits as defined in the Annexes of Directive 2011/65/EU (RoHS2). Finished electrical and electronic equipment products will be CE marked as required by Directive 2011/65/EU. Components may not be CE marked. Additionally, the part numbers that TE has identified as EU ELV compliant have a maximum concentration of 0.1% by weight in homogenous materials for lead, hexavalent chromium, and mercury, and 0.01% for cadmium, or qualify for an exemption to these limits as defined in the Annexes of Directive 2000/53/EC (ELV). Regarding the REACH Regulation, the information TE provides on SVHC in articles for this part number is based on the latest European Chemicals Agency (ECHA) 'Guidance on requirements for substances in articles' posted at this URL: <https://echa.europa.eu/guidance-documents/guidance-on-reach>

Compatible Parts

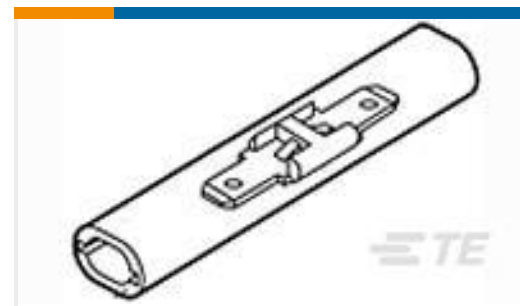


Customers Also Bought





TE Part #5-160558-1
FF 250 REC 0.5-1.5MM2 BR



TE Part #155914-1
LINE SPL.CONN.250



TE Part #160534-1
FASTON 110 0.5-1.0MM BR



TE Part #1-456406-1
CRIMPER WIRE .090 F



TE Part #3-456134-1
CRIMPER INSUL F



TE Part #4-456134-4
CRIMPER, INSULATION "F"(.130")

Documents

Product Drawings

CABLE TIES & BUNDLING 152.5 LG

English