

160012 ✓ ACTIVE

SOLISTRAND | SOLISTRAND Budget

TE Internal #: 160012

SOLISTRAND Budget, Rings & Spades, Ring Tongue, 16 – 14AWG

Wire Size, 1.04 – 2.62mm² Wire Size, 2050 – 5180CMA Wire Size, #5

/ M3

[View on TE.com >](#)



Terminals & Splices > Rings & Spades



Terminal & Splice Type: **Ring Tongue**

Wire Size: **2050 – 5180 CMA**

Ring & Spade Stud Size: **#5, M3**

Features

Product Type Features

Shape Description	RING-050
Ring & Spade Stud Size	#5, M3
Ring & Spade Barrel Type	Closed Barrel
Sealable	No
Insulated	No
Ring & Spade Wire/Cable Type	Regular Wire
Support Style	Non - Insulation Support

Configuration Features

Number of Holes	1
Terminal Angle	Straight

Body Features

Weight per Piece	1.511 g
Ring & Spade Plating Material	Tin

Contact Features

Terminal & Splice Type	Ring Tongue
Ring & Spade Terminal Orientation	Straight

Mechanical Attachment

Wire Insulation Support	Without
-------------------------	---------

Dimensions



Wire Size	2050 – 5180 CMA
Stud Diameter	5.21 mm[.205 in]
Tongue Thickness	.79 mm[.031 in]
Ring & Spade Overall Length	18.36 mm[.722 in]
Barrel Inside Diameter	2.79 mm[.11 in]

Usage Conditions

Insulation Requirement	Uninsulated
Operating Temperature Range	170 °C[338 °F]

Operation/Application

Heavy Duty	No
------------	----

Industry Standards

Government Qualified	No
----------------------	----

Packaging Features

Packaging Quantity	1
Ring & Spade Packaging Method	Package

Product Compliance

[For compliance documentation, visit the product page on TE.com>](#)

EU RoHS Directive 2011/65/EU	Compliant
EU ELV Directive 2000/53/EC	Compliant
China RoHS 2 Directive MIIT Order No 32, 2016	No Restricted Materials Above Threshold
EU REACH Regulation (EC) No. 1907/2006	Current ECHA Candidate List: JAN 2021 (211) Candidate List Declared Against: JAN 2021 (211) Does not contain REACH SVHC
Halogen Content	Low Halogen - Br, Cl, F, I < 900 ppm per homogenous material. Also BFR/CFR/PVC Free
Solder Process Capability	Not applicable for solder process capability

Product Compliance Disclaimer

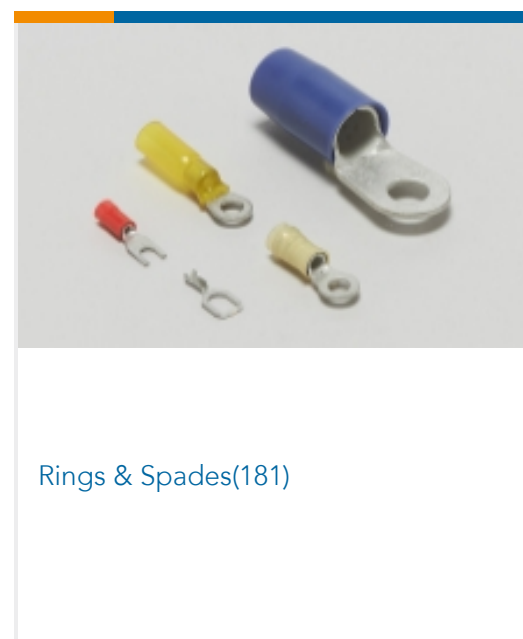
This information is provided based on reasonable inquiry of our suppliers and represents our current actual knowledge based on the information they provided. This information is subject to change. The part numbers that TE has identified as EU RoHS compliant have a maximum concentration of 0.1% by weight in homogenous materials for lead, hexavalent chromium, mercury, PBB, PBDE, DBP, BBP, DEHP, DIBP, and 0.01% for cadmium, or qualify for an exemption to these limits as defined in the Annexes of Directive 2011/65/EU (RoHS2). Finished electrical and electronic equipment products will be CE marked as required by Directive 2011/65/EU. Components may not be CE marked. Additionally, the part

numbers that TE has identified as EU ELV compliant have a maximum concentration of 0.1% by weight in homogenous materials for lead, hexavalent chromium, and mercury, and 0.01% for cadmium, or qualify for an exemption to these limits as defined in the Annexes of Directive 2000/53/EC (ELV). Regarding the REACH Regulation, the information TE provides on SVHC in articles for this part number is based on the latest European Chemicals Agency (ECHA) 'Guidance on requirements for substances in articles' posted at this URL: <https://echa.europa.eu/guidance-documents/guidance-on-reach>

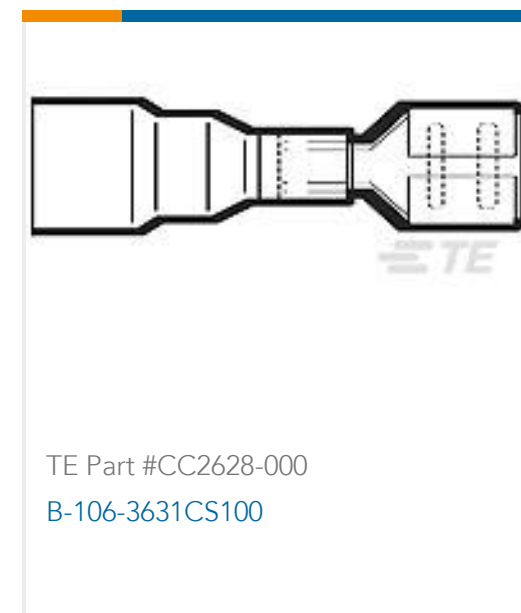
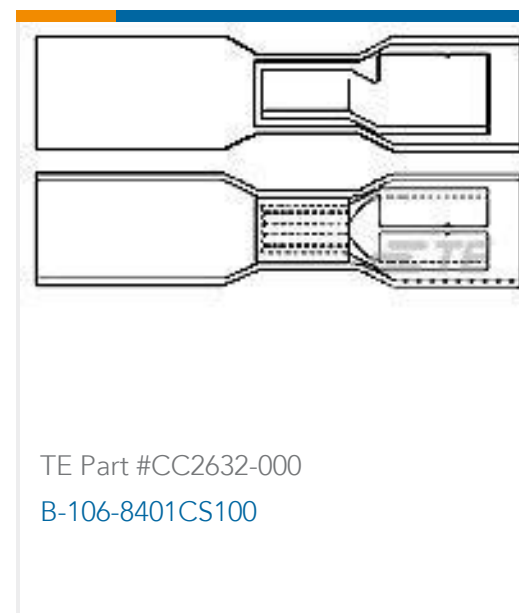
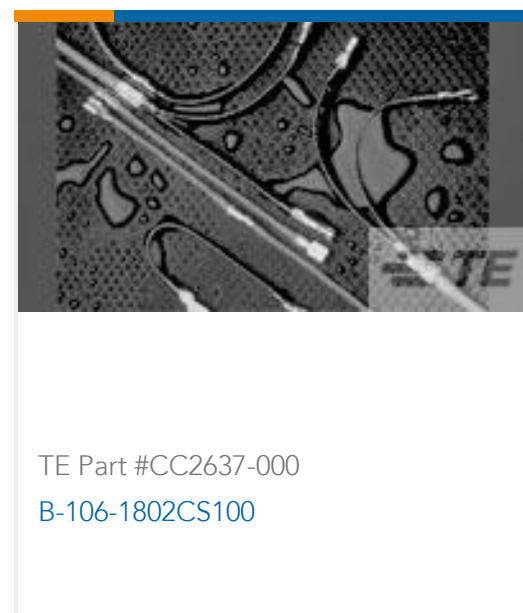
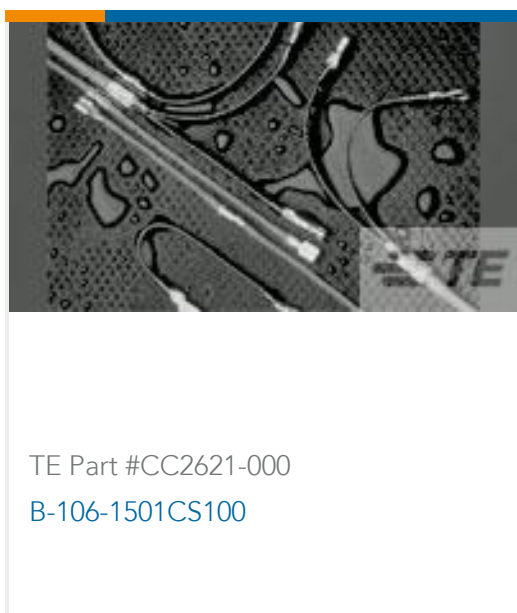
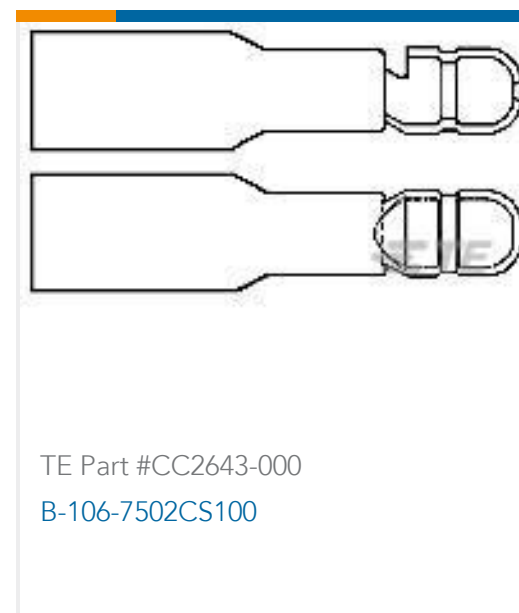
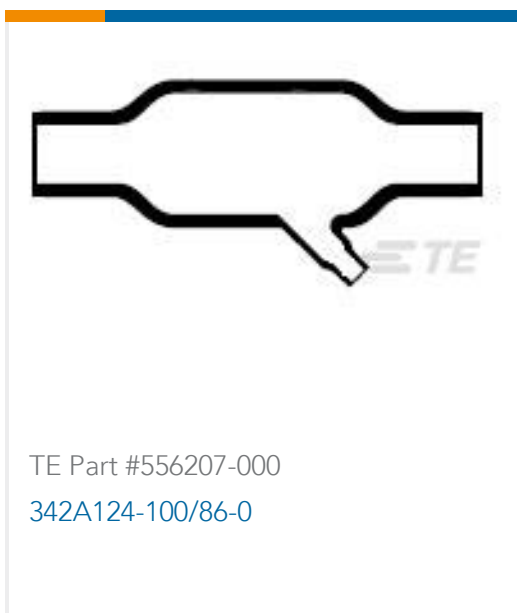
Compatible Parts

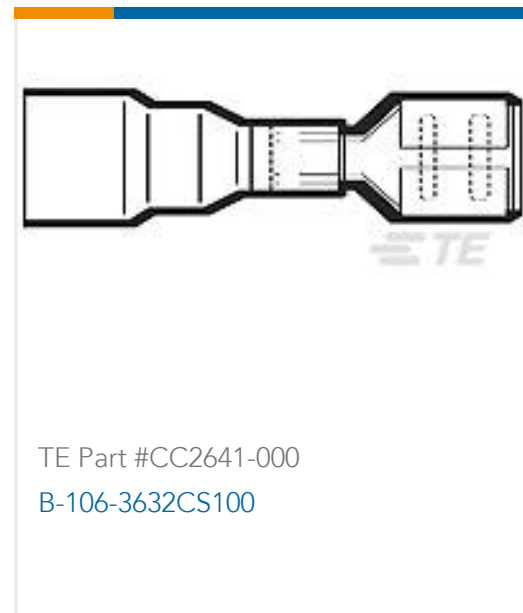
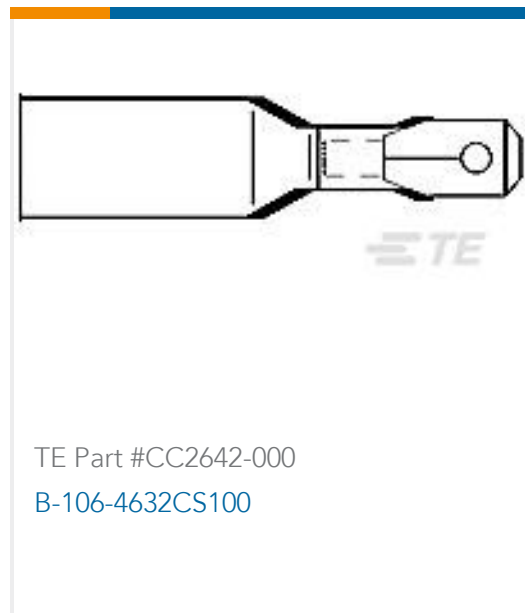


Also in the Series | SOLISTRAND Budget



Customers Also Bought





Documents

Product Drawings

BUDG 16-14HD R 5MM

English