

THIS DRAWING AND THE DESIGN IT DISCLOSES ARE THE PROPERTY OF KILOVAC CORP. AND IT IS ISSUED IN CONFIDENCE FOR ENGINEERING INFORMATION ONLY. THE DRAWING AND OR DESIGN MAY NOT BE REPRODUCED, DISCLOSED TO OUTSIDERS, OR USED FOR ANY OTHER PURPOSE WITHOUT THE PRIOR EXPRESS CONSENT OF KILOVAC. THE DRAWING IS LOANED FOR MUTUAL ASSISTANCE AND IS SUBJECT TO RECALL AT ANY TIME.

REVISIONS

SYM	DESCRIPTION	DATE	APRVL.
A	INITIAL RELEASE NPR 6930	6-15-84	RG
B	REV'D P1 & P4 ECO 7202	6-28-85	RG
C	REV'D P1 & P2 ECO 7627	1-8-87	RG
D	REV'D P1,2 ECO 7702	5.8.87	DKP
E	REV'D P1&2 ECO 7815	10-7-89	RG

REV STATUS OF SHEETS

REV.	E	D	A	B
SHEET	1	2	3	4
PREP. BY	JP	6-13-84		
CHK. BY	RG	6-15-84		
ENG. APRVL.	RG	6-15-84		

Kilovac®
CORPORATION

P.O. BOX 4422 SANTA BARBARA, CA., U.S.A.

TITLE

HIGH VOLTAGE VACUUM RELAY

DWG. NO.

KC-32 SERIES

CODE IDENT. NO. 18741

SHEET 1 OF 4

THIS DRAWING AND THE DESIGN IT DISCLOSES ARE THE PROPERTY OF KILOVAC CORP. AND IT IS ISSUED IN CONFIDENCE FOR ENGINEERING INFORMATION ONLY. THE DRAWING AND OR DESIGN MAY NOT BE REPRODUCED, DISCLOSED TO OUTSIDERS, OR USED FOR ANY OTHER PURPOSE WITHOUT THE PRIOR EXPRESS CONSENT OF KILOVAC. THE DRAWING IS LOANED FOR MUTUAL ASSISTANCE AND IS SUBJECT TO RECALL AT ANY TIME.

REV.
D

SPECIFICATIONS:

CONTACT ARRANGEMENT.....	SPST-NC
FORM.....	Y
TEST VOLTAGE (dc OR 60 Hz, kV PEAK).....	28
RATED OPERATING VOLTAGE (dc OR 60 Hz, kV PEAK).....	25
CONTINUOUS CURRENT CARRY, CONTACTS CLOSED, MAX (Adc OR 60 Hz RMS).....	45
COIL HI POT (V RMS, 60 Hz).....	500
CONTACT CAPACITANCE (pF)	
BETWEEN OPEN CONTACTS.....	2.5
OPEN CONTACTS TO GROUND.....	2.5
CONTACT RESISTANCE, MAX. (OHMS).....	0.010
OPERATE TIME, MAX. (ms).....	18
RELEASE TIME, MAX. (ms).....	20
SHOCK, 11 ms 1/2 SINE (PEAK G's).....	30
VIBRATION, 10 G's PEAK (Hz).....	55-500
OPERATING TEMPERATURE RANGE (°C).....	-55 TO +125
MECHANICAL LIFE (OPERATIONS X 10 ⁶).....	2
WEIGHT, MAXIMUM (oz).....	12

RELAY PART NUMBER	KC-32/12VDC	KC-32	KC-32/115VDC	
COIL VOLTAGE, NOMINAL (Vdc)	12	26.5	115	
PICK-UP VOLTAGE, MAX. (Vdc)	8	16	80	
DROP-OUT VOLTAGE, (Vdc)	.5-5	1-10	5-50	
COIL RESISTANCE (OHMS \pm 10%)	24	120	2000	

NOTES: RATINGS LISTED ARE FOR 25°C SEA LEVEL CONDITIONS.
RELAY BASE MUST BE GROUNDED.

DIMENSIONS IN INCHES
(DIMENSIONS IN PARENTHESES ARE IN
MILLIMETERS)

TOLERANCES EXCEPT AS NOTED

.xx = \pm .03

.xxx = \pm .010

\angle x° = \pm 2°

DO NOT SCALE DWG.

Kilovac
Corporation

P.O. BOX 4422
Santa Barbara, CA 93140-4422

KC-32 SERIES

FSCM NO.

18741

SCALE

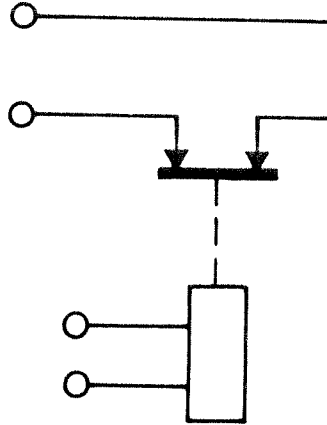
NONE

SHEET

2

THIS DRAWING AND THE DESIGN IT DISCLOSES ARE THE PROPERTY OF KILOVAC CORPORATION. IT IS ISSUED IN CONFIDENCE FOR ENGINEERING INFORMATION ONLY. THE DRAWING OR DESIGN MAY NOT BE REPRODUCED, DISCLOSED TO OUTSIDERS, OR USED FOR ANY OTHER PURPOSE WITHOUT THE PRIOR EXPRESS CONSENT OF KILOVAC. THE DRAWING IS LOANED FOR MUTUAL ASSISTANCE AND IS SUBJECT TO RECALL AT ANY TIME.

REV.
A



SCHEMATIC

DIMENSIONS IN INCHES
(DIMENSIONS IN PARENTHESES ARE
IN MILLIMETERS)

**TOLERANCES EXCEPT AS
NOTED:**

.XX = $\pm .03$
.XXX = $\pm .010$
 \cancel{X}° = $\pm 2^{\circ}$

Kilovac[®]
Corporation

P.O. BOX 4422
SANTA BARBARA, CA., U.S.A.

DWG. NO.

KC-32 SERIES

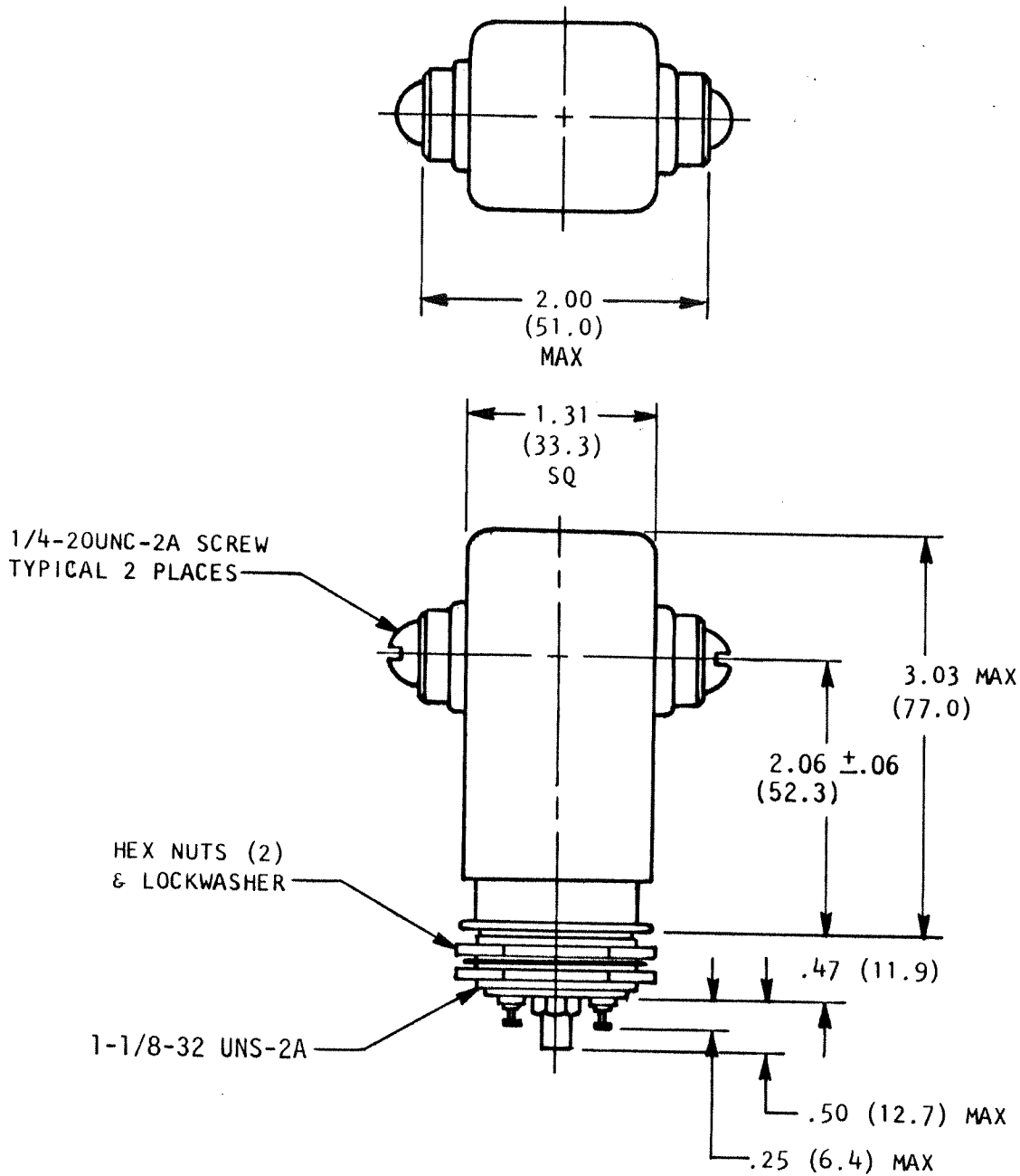
CODE IDENT. NO.
18741

SCALE
NONE

SHEET
3

THIS DRAWING AND THE DESIGN IT DISCLOSES ARE THE PROPERTY OF KILOVAC CORP. AND IT IS ISSUED IN CONFIDENCE FOR ENGINEERING INFORMATION ONLY. THE DRAWING AND OR DESIGN MAY NOT BE REPRODUCED, DISCLOSED TO OUTSIDERS, OR USED FOR ANY OTHER PURPOSE WITHOUT THE PRIOR EXPRESS CONSENT OF KILOVAC. THE DRAWING IS LOANED FOR MUTUAL ASSISTANCE AND IS SUBJECT TO RECALL AT ANY TIME.

REV.
B



DIMENSIONS IN INCHES
(DIMENSIONS IN PARENTHESES ARE IN MILLIMETERS)

TOLERANCES EXCEPT AS NOTED

.XX = ± .03

.XXX = ± .010

\angle X° = ± 2°

DO NOT SCALE DWG.

Kilovac
Corporation

P.O. BOX 4422
Santa Barbara, CA 93140-4422

KC-32 SERIES

FSCM NO.

18741

SCALE

NONE

SHEET

4