

# MECHANICAL SHEAR BOLT TERMINAL LUGS BLMT AND CONNECTORS BSM

FOR LOW VOLTAGE AND MEDIUM VOLTAGE ALUMINIUM FLEXIBLE CABLES APPLICATION



**EASY AND FAST INSTALLATION  
WITH STANDARD TOOLS**

## KEY FEATURES

- **Torque-controlled shear-head bolts guarantee a good electrical contact**
- **Easy installation with standard socket spanner**
- **Wide application range from 25 mm<sup>2</sup> to 500 mm<sup>2</sup>**
- **Can be used with Aluminum flexible cables (class 5)**
- **Compact design and wide application range**

TE Connectivity's (TE) Mechanical Shear Bolt Terminal Lugs BLMT and Connectors BSM are designed for use in low, medium voltage applications, and cover conductor sizes from 25 to 500 mm<sup>2</sup>. All products consist of a tin-plated body, shear-head bolts and inserts for small conductor sizes.

Made of a special aluminium alloy, these contact bolts are double shear-head bolts with hexagon heads. The bolts are treated with a highly lubricating agent. Contact bolts are irremovable once their heads have been sheared off. The connector body is made of a high-tensile, tin-plated aluminium alloy. The internal surfaces of the conductor holes are grooved.

Mechanical lugs and connectors are suitable for outdoor and indoor applications, and terminal lugs are available with different palm hole sizes. Before using mechanical lugs in cable accessories, check that they are suitable for the given application and if necessary, consult the manufacturer.

## APPLICATIONS

- **Underground solutions**
- **Substations**
- **Wind energy solutions**

## RELEVANT STANDARDS AND TEST REPORTS

- **Tested according to IEC 61238-1 class B**

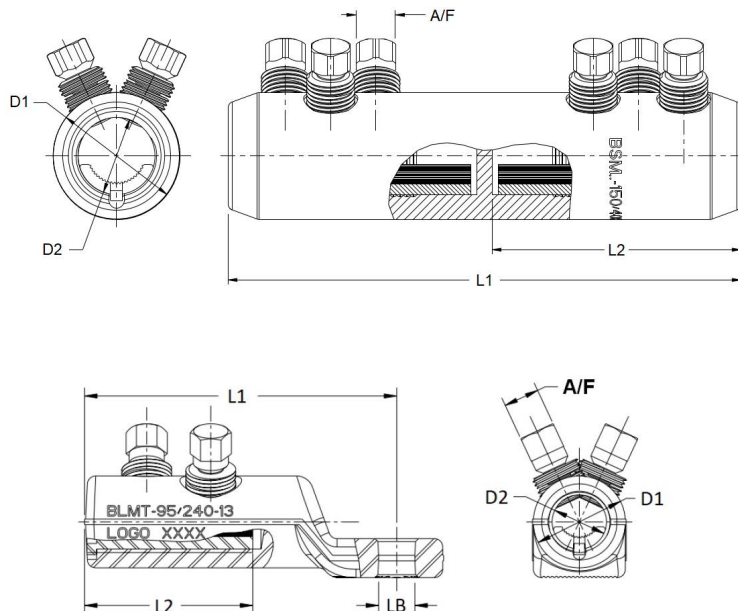
## PRODUCT TECHNICAL SPECIFICATONS

Lug Description	Palm Hole Diameter (mm)					Contact Bolts Quantity	Head Size AF (mm)
	LB	L1	L2	D1	D2		
BLMT-25/95-13*	13	60	30	24	12,8	1	10
BLMT-35/150-13*	13	86	36	28	15,8	1	13
BLMT-50/150-RS-13	13	112	60	33	19,5	2	15
BLMT-95/240-13*	13	112	60	33	20	2	13
BLMT-120/300-13*	13	115	65	37	24	2	13
BLMT-150/400 MK2-13*	13	122,5	80	42	25,5	3	13
BLMT-400-AL FLEX-13	13	122,5	80	42	28	3	13
BLMT-500-AL FLEX-13	13	125,3	70	50	33	3	13

\*Standard palm hole size is 13 mm (for M12 stud) but these lugs are also available with palm hole size 17 mm (for M16 stud)

Connector Description	Dimensions (mm)				Contact Bolts Quantity	Head Size AF (mm)
	L1	L2	D1	D2		
BSM-25/95	65	30	24	12,8	2	10
BSMB-35/150	80	37	28	15,8	2	13
BSMB-50/150-RS	132	60	33	19,5	4	15
BSM-95/240	125	60	33	20	4	13
BSMB-120/300	140	65	37	24	4	13
BSMB-150/400	170	80	42	25,5	6	13
BSMB-400-AL FLEX	160	70	46	30	6	13
BSMB-500-AL FLEX	160	70	50	33	6	13

Note: All are blocked type connectors



## PRODUCT SELECTION INFORMATION

Aluminium Flexible Conductor Cross Section (mm <sup>2</sup> )	Lug Description	Connector Description	Installation Comment
16, 25 & 35	BLMT-25/95-13	BSM-25/95	
50	BLMT-35/150-13	BSMB-35/150	
70	BLMT-35/150-13	BSMB-35/150	Remove insert
95	BLMT-95/240-13	BSM-95/240	
120	BLMT-50/150-RS-13	BSMB-50/150-RS	Remove insert
150	BLMT-95/240-13	BSM-95/240	
185	BLMT-95/240-13	BSM-95/240	Remove insert
240	BLMT-120/300-13	BSMB-120/300	Remove insert
300	BLMT-150/400 MK2-13	BSMB-150/400	
400	BLMT-400-AL FLEX-13	BSMB-400-AL FLEX	
500	BLMT-500-AL FLEX-13	BSMB-500-AL FLEX	

Note:- All are blocked type connectors (with barrier)

Learn more: [TE.com/energy](https://www.te.com/energy)

© 2023 TE Connectivity. All Rights Reserved. EPP-4273-DDS-9/23

TE, TE Connectivity, TE connectivity (logo), Raychem and EVERY CONNECTION COUNTS, are trademarks owned or licensed by TE Connectivity. Other logos, product and company names mentioned herein may be trademarks of their respective owners. While TE has made every reasonable effort to ensure the accuracy of the information in this brochure, TE does not guarantee that it is error-free, nor does TE make any other representation, warranty or guarantee that the information is accurate, correct, reliable or current. TE reserves the right to make any adjustments to the information contained herein at any time without notice. TE Connectivity's obligations shall only be as set forth in TE Connectivity's Standard Terms and Conditions of Sale for this product and in no case will TE Connectivity be liable for any incidental, indirect or consequential damages arising out of the sale, resale, use or misuse of the product. TE expressly disclaims all implied warranties regarding the information contained herein, including, but not limited to, any implied warranties of merchantability or fitness for a particular purpose. The dimensions, specifications, and/or information contained herein are for reference purposes only and are subject to change without notice. Consult TE for the latest dimensions, specifications, and/or information. Users of TE Connectivity products should make their own evaluation to determine the suitability of each such product for the specific application.

Connect with us:  
[TE.com/energy-contact](https://www.te.com/energy-contact)