

## SUSPENSION INSULATOR

### EXTRA HIGH CREEPAGE COMPOSITE SUSPENSION INSULATOR

#### KEY FEATURES

- 70kN tension rating (SML)
- Wide selection of metal end fittings selection
- Reliable tensile performance
- Light-weight for easier installation
- Shed design to minimize insulator length per kV rating
- Shock and vibration resistant
- Good tracking and erosion resistance performance
- Quality design and manufactured in accordance with ISO9001

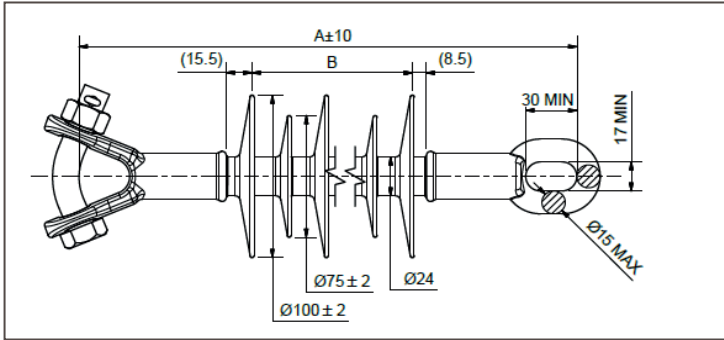
TE Connectivity (TE) offers a complete range of silicone suspension / tension insulators for overhead line applications up to 485 kV BIL.

Our complete portfolio of insulators is designed to fit a wide selection of metal end fittings. The portfolio includes numerous lengths and creepage configurations to fit the requirements of your application. TE's compact insulator profile has the same shed diameter to maximize flashover performance in polluted environments over a minimum insulator length.

Our suspension / tension insulators are made of silicone, a hydrophobic material with proven tracking and erosion resistance and high technical performance in a wide range of climatic and pollution conditions.

**Customers can count on consistent, high quality products, driven by TE's proven innovation and backed by our extraordinary customer support.**

## Suspension Insulator



**Top Fitting** - Y Clevis per IEC 61466-1-16  
**Bottom Fitting** - Eye Fitting per IEC 61466-1-17  
**Split Pin** - Stainless steel  
**SML** - 70 kN  
**Routine Test** - 35 kN

### Part description key

**CS** - Composite Suspension  
**XX** - SML Top/Bottom End Fittings  
**XX** - BIL (kV)  
**XXX** - Creepage distance (mm)  
**XXXX** - Mfg. Style  
**X** - Special Code

## PRODUCT SPECIFICATION

TCPN	DESCRIPTION	SHEDS	NOMINAL CREEPAGE (mm)	NOMINAL DRY ARC (mm)	DRY AC WITHSTAND (kV)	WET AC WITHSTAND (kV)	DRY AC FLASH-OVER (kV)	WET AC FLASH-OVER (kV)	LIGHTNING IMPULSE WITHSTAND (kV)	LIGHTNING IMPULSE FLASH-OVER (kV)	A (mm)	B (mm)	AP-PROX. WEIGHT (KG)	STD PACK QTY
EP1100-000	CS-70-YE-120-0415-M-11	5	415	165	80	65	85	80	120	130	294	90	1.06	36
EP1101-000	CS-70-YE-145-0580-M-11	7	580	210	95	80	100	95	145	155	339	135	1.14	36
EP1102-000	CS-70-YE-170-0740-M-11	9	740	255	110	95	115	105	170	180	384	180	1.22	18
EP1103-000	CS-70-YE-195-0900-M-11	11	900	300	125	110	130	120	195	200	429	225	1.30	18
EP1104-000	CS-70-YE-215-1065-M-11	13	1065	345	140	125	145	135	215	225	474	270	1.38	18
EP1105-000	CS-70-YE-240-1225-M-11	15	1225	390	155	140	160	150	240	250	519	315	1.46	18
EP1106-000	CS-70-YE-265-1390-M-11	17	1390	435	170	155	175	165	265	275	564	360	1.54	18
EP1107-000	CS-70-YE-290-1550-M-11	19	1550	480	185	170	190	175	290	300	609	405	1.62	18
EP1108-000	CS-70-YE-310-1710-M-11	21	1710	525	200	185	205	190	310	325	654	450	1.70	18
EP1109-000	CS-70-YE-335-1875-M-11	23	1875	570	215	195	220	205	335	350	699	495	1.78	18
EP1110-000	CS-70-YE-360-2035-M-11	25	2035	615	230	210	235	220	360	375	744	540	1.86	18
EP1111-000	CS-70-YE-380-2200-M-11	27	2200	660	245	225	250	235	380	400	789	585	1.94	64
EP1112-000	CS-70-YE-405-2360-M-11	29	2360	705	260	240	265	250	405	425	834	630	2.02	64
EP1113-000	CS-70-YE-430-2520-M-11	31	2520	750	275	255	280	260	430	450	879	675	2.10	64
EP1114-000	CS-70-YE-455-2685-M-11	33	2685	795	290	270	295	275	455	475	924	720	2.18	64
EP1115-000	CS-70-YE-475-2845-M-11	35	2845	840	305	285	310	290	475	500	969	765	2.26	64
EP1116-000	CS-70-YE-500-3010-M-11	37	3010	885	320	300	325	305	500	525	1014	810	2.34	64

[te.com/energy](http://te.com/energy)

©2020 TE Connectivity Ltd. All Rights Reserved. EPP-3473-DDS-1/2020

Raychem, TE Connectivity and TE Connectivity (logo) are trademarks. Other logos, product and/or company names might be trademarks of their respective owners. While TE has made every reasonable effort to ensure the accuracy of the information in this brochure, TE does not guarantee that it is error-free, nor does TE make any other representation, warranty or guarantee that the information is accurate, correct, reliable or current. TE reserves the right to make any adjustments to the information contained herein at any time without notice. TE expressly disclaims all implied warranties regarding the information contained herein, including, but not limited to, any implied warranties of merchantability or fitness for a particular purpose. The dimensions in this catalog are for reference purposes only and are subject to change without notice. Specifications are subject to change without notice. Consult TE for the latest dimensions and design specifications.

### FOR MORE INFORMATION: TE Technical Support Centers

USA: + 1 800 327 6996  
 France: + 33 380 583 200  
 UK: + 44 0870 870 7500  
 Germany: + 49 896 089 903  
 Spain: + 34 916 630 400  
 Italy: + 39 333 250 0915  
 Benelux: + 32 16 351 731  
 Canada: + 1 (905) 475-6222  
 Mexico: + 52 (0) 55-1106-0800  
 Latin/S. America: + 54 (0) 11-4733-2200  
 China: + 86 (0) 400-820-6015