

## HIGH VOLTAGE (HV) OUTDOOR TERMINATION DRY TYPE OHVT-145G (4A) UP TO 145 kV

### KEY FEATURES

- Pressure-tight and lightweight composite housing
- Prefabricated and factory-tested silicone rubber stress cone
- No special tools or gluing required to install the termination
- Rayfil® gel filling prevents leaks
- Ready for use after installation
- Type-tested and Routine-tested according to IEC 60840 standards
- No additional training required - similar design as standard OHVT-C

TE Connectivity's (TE) Raychem High Voltage Outdoor Termination (OHVT) Dry Type is designed for voltages up to 170 kV and to operate under severe environmental conditions. The OHVT is compatible with polymeric insulated cables independent of the manufacturer and can be adapted with respect to grounding required for various cable constructions.

Composite housing with different creepage lengths are available and cover all pollution levels. The installation of the termination can be done by trained installer equipped with conventional tools. The termination is designed according to the following standards: IEC-60840, IEC-62067, IEC-60815, IEEE-48, IEEE-1313.

The pressure-tight composite housing is made of a glass fiber reinforced (GFR) resin tube with silicone rubber sheds molded to the tube. The metal fitted associated with the termination consists of a corrosion-free alloy. The cable lug is available both in crimp and shear-off bolt version. It is suitable for all common conductors made of aluminium or copper. The interface between stress cone, cable insulation and inner housing will be filled from the top with fast curing gel. The advantage of a dry type termination over a conventional oil filled type is that the gel filling cures over a time period causing no leakages.

**Customers can count on consistent, high quality products, driven by TE's proven innovation and backed by our extraordinary customer support.**

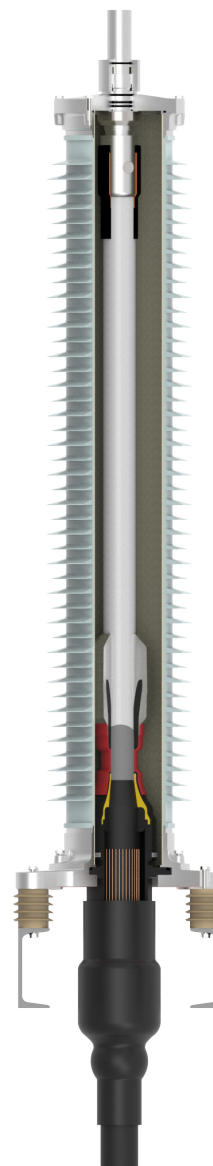
## HV Outdoor Terminations Dry Type OHVT-145G (4A)



| MECHANICAL DATA                                 |                     |
|---|---------------------|
| Length without connection bolt                  | 1684 mm             |
| Outer diameter of insulator                     | 304 mm              |
| Inner diameter of insulator                     | 198 mm              |
| Cantilever force                                | 3600 N              |
| Max. permissible radial pull at connection bolt | 2000 N              |
| Diameter of connection bolt                     | 30/40/50 mm         |
| Length of connection bolt                       | 100/130 mm          |
| Earth connection                                | 4 x M12             |
| Weight approx.                                  | 95 kg               |
| Insulating Medium Volume.                       | 20 l                |
| Packing information                             | 1662 x 900 x 560 mm |

| DESIGN DATA                               |   |
|---|---|
| Diameter over insulation                  | 34 - 97 mm                              |
| Diameter over sheath                      | 110 mm                                  |
| Max. Cross section (Cu / Al)              | Approx. 2500 mm <sup>2</sup>            |
| Creepage distance                         | 4684 mm                                 |
| Protected creepage distance [90°C shadow] | 2002 mm                                 |
| Flashover distance                        | 1330 mm                                 |
| Material of connection bolt               | Aluminium / Copper                      |
| Material of insulator - outer surface     | Silicone rubber                         |
| Profile of insulator                      | Alternating sheds                       |
| Colour of insulator                       | Grey                                    |
| Method of stress control                  | Geometric                               |
| Stress cone                               | Pre-fabricated silicone rubber          |
| Max. permissible dielectric stress        | 4 kV/mm (at insulation screen of cable) |
| Insulating medium                         | Gel (Rayfil®)                           |
| Material of fittings                      | Aluminium                               |
| Clearance between terminations            | As per IEC 60071-1                      |
| Installation temperature                  | 0°C - +40°C                             |
| Operation temperature                     | -55°C - +55°C                           |
| Storage temperature                       | 0°C - +40°C                             |

| ELECTRICAL TYPE TEST IEC 60840                         |         |
|--|---------|
| Heating cycle voltage                                  | 152 kV  |
| Partial discharge at ambient and elevated temperatures | 114 kV  |
| Lightning impulse voltage 1.2µs/50µs                   | 650 kV  |
| ELECTRICAL TYPE TEST IEC 60840 ANNEX H                 |         |
| AC withstand test screen to ground                     | 25 kV   |
| DC withstand test screen to ground                     | 25 kV   |
| Lightning impulse test screen to ground                | 37.5 kV |
| ELECTRICAL ROUTINE TEST IEC 60840                      |         |
| AC withstand voltage                                   | 190 kV  |
| Partial discharge test                                 | 114 kV  |



[te.com/energy](http://te.com/energy)

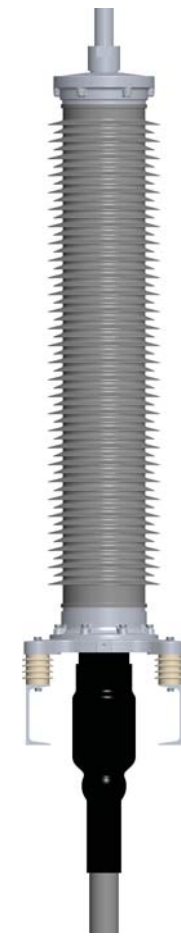
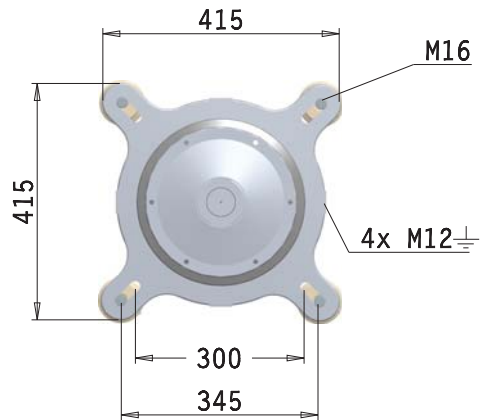
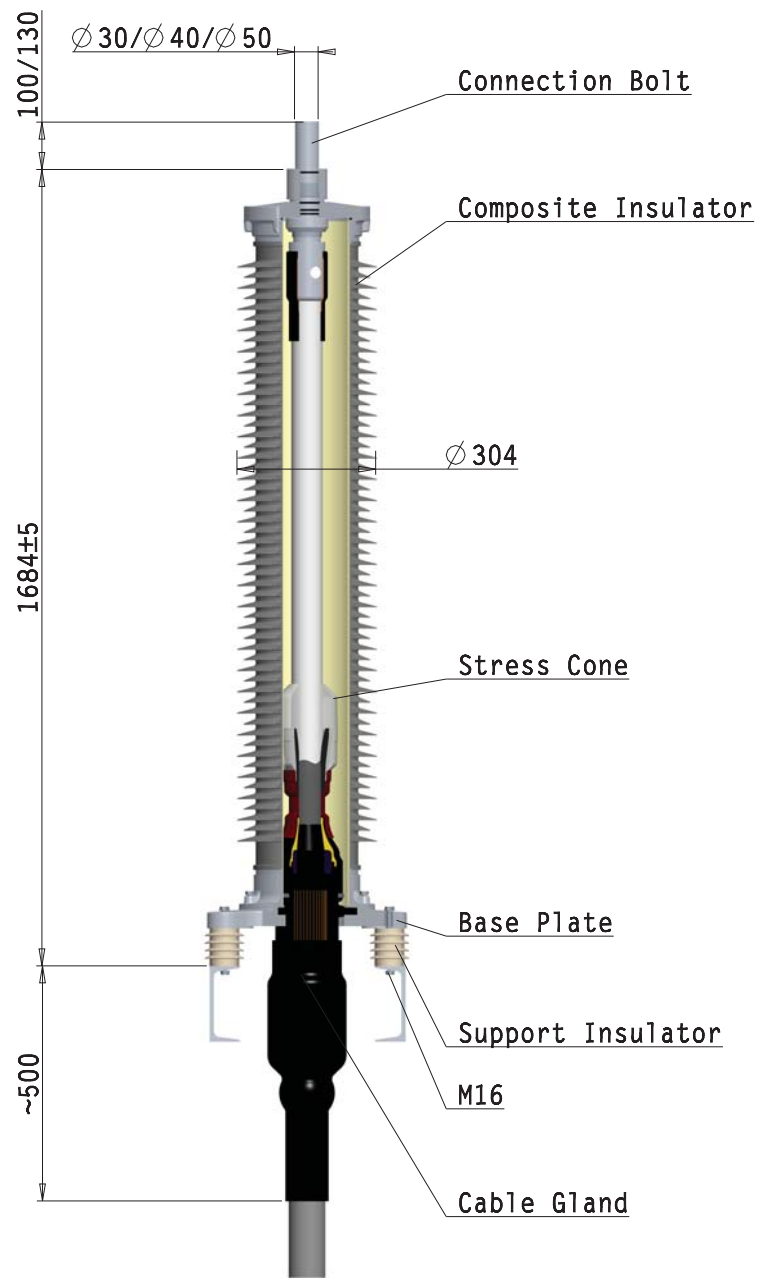
© 2019 TE Connectivity. All Rights Reserved. EPP-3278-DDS-8/19-Termination-OHVT-145G-4A-TE

Raychem, TE Connectivity and TE connectivity (logo) are trademarks. Other logos, product and/or company names might be trademarks of their respective owners. While TE has made every reasonable effort to ensure the accuracy of the information in this brochure, TE does not guarantee that it is error-free, nor does TE make any other representation, warranty or guarantee that the information is accurate, correct, reliable or current. TE reserves the right to make any adjustments to the information contained herein at any time without notice. TE expressly disclaims all implied warranties regarding the information contained herein, including, but not limited to, any implied warranties of merchantability or fitness for a particular purpose. The dimensions in this catalog are for reference purposes only and are subject to change without notice. Specifications are subject to change without notice. Consult TE for the latest dimensions and design specifications.

### FOR MORE INFORMATION: TE Technical Support Centers

|                   |                       |
|-------------------|-----------------------|
| USA:              | + 1 800 327 6996      |
| Canada:           | + 1 (905) 475-6222    |
| Mexico:           | + 52 (0) 55-1106-0800 |
| Latin/S. America: | + 54 (0) 11-4733-2200 |
| France:           | + 33 380 583 200      |
| UK:               | + 44 0870 870 7500    |
| Germany:          | + 49 896 089 903      |
| Spain:            | + 34 916 630 400      |
| Italy:            | + 39 333 250 0915     |
| Benelux:          | + 32 16 508 695       |
| Russia:           | + 7 495-790 790 2-200 |
| China:            | + 86 (0) 400-820-6015 |

While TE Connectivity (TE) has made every reasonable effort to ensure the accuracy of the information in the catalog, TE does not guarantee that it is error free, nor does TE make any other representation, warranty or implied warranties regarding the information contained herein, including, but not limited to, any implied warranties or merchantability or fitness for a particular purpose. The dimensions in this catalog are for reference purpose only and are subject to change without notice. Specifications are subject to change without notice. Consult TE for the latest dimensions and design specifications.



DRY TYPE OUTDOOR-TERMINATION  
 145 kV  
 COMPOSITE-INSULATOR  
 FOR POLYMERIC-CABLE  
  
 OHVT-145G (-4A)  
 Offer drawing



Raychem High Voltage Cable Accessories

TE Connectivity drawing no:  
 EPD-204-2146-00  
 REV. 1