

UNDERGROUND CABLE BRANCH JOINT SYSTEM MM FOR POLYMERIC INSULATED LV CABLES UP TO 240 mm²

KEY FEATURES

- Impact resistant, transparent housing, polypropylene
- Snap-to close design with labyrinth sealing
- Range taking foam sealings at cable entry
- Branch cable parallel to main cable
- Available with environment-friendly and label-free resin GUROFLEX

TE Connectivity's (TE) Underground Cable Joint System MM consists of a transparent polypropylene snap-to-close design housing with labyrinth and range taking polymer foams for sealing at the cable entries. The robust housing, is easy and quick to assemble, and cutting to the cable diameter is not needed.

This system comes in a variety of sizes able to fit any need including MM-5, MM-7, and MM-C7. Application range is covering main cable cross sections from 35 mm² up to 240 mm².

The MM-5 and MM-7 are suitable for polymeric insulated cables without concentric neutral. MM-C7 is suitable for polymeric insulated cables with concentric neutral.

Customers can count on consistent, high quality products, driven by TE's proven innovation and backed by our extraordinary customer support.

Underground Cable Branch Joint System MM

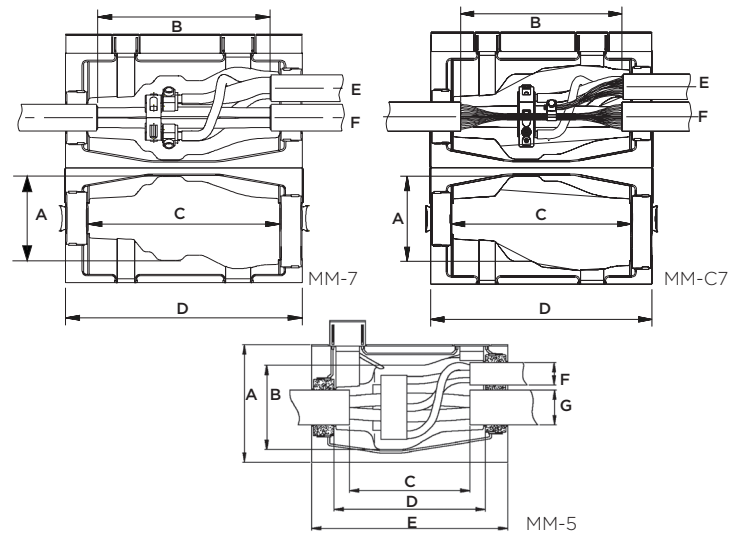


Joints are tested according to CENELEC EN 50393.

PRODUCT DIMENSIONS

	MM-5	MM-7	MM-C7
A	175	Ø 170	Ø 170
B	125	330	max. 350
C	150 - 180	390	390
D	225	480	480
E	295	25 - 58	25 - 58
F	18 - 36	36 - 62	36 - 62
G	27 - 55	-	-

Dimensions in mm



PRODUCT SELECTION INFORMATION

Description	Connectors	Filler Type	Volume	Cable Cross Section Mains [mm ²]	Cable Cross Section Branch [mm ²]	Part Number
MM-5-3D170	without	RAPID 3010	1,7 l	4 x 35 - 150	4 x 10 - 70	F75945-000
MM-5-43BD170	without	RAPID 4300B	1,7 l	4 x 35 - 150	4 x 10 - 70	E17249-000
MM-5-GD170	without	GUROFLEX	1,7 l	4 x 35 - 150	4 x 10 - 70	479046-000
MM-5-3D170-SRC4	SRC4	RAPID 3010	1,7 l	4 x 70 - 150	4 x 10 - 70	EE8510-000
MM-5-43BD170-SRC4	SRC4	RAPID 4300B	1,7 l	4 x 70 - 150	4 x 10 - 70	EE8512-000
MM-5-GD170-SRC4	SRC4	GUROFLEX	1,7 l	4 x 70 - 150	4 x 10 - 70	EE8514-000
MM-7-3C490	without	RAPID 3010	4,9 l	4 x 95 - 240 4 x 95 - 185 4 x 95 - 150	4 x 6 - 70 4 x 6 - 120 4 x 10 - 150	E99843-000
MM-7-3D490	without	RAPID 3010	4,9 l	4 x 95 - 240 4 x 95 - 185 4 x 95 - 150	4 x 6 - 70 4 x 6 - 120 4 x 10 - 150	D84708-000
MM-7-43BC490	without	RAPID 4300B	4,9 l	4 x 95 - 240 4 x 95 - 185 4 x 95 - 150	4 x 6 - 70 4 x 6 - 120 4 x 10 - 150	F34938-000
MM-7-43BD490	without	RAPID 4300B	4,9 l	4 x 95 - 240 4 x 95 - 185 4 x 95 - 150	4 x 6 - 70 4 x 6 - 120 4 x 10 - 150	F34208-000
MM-7-GC490	without	GUROFLEX	4,9 l	4 x 95 - 240 4 x 95 - 185 4 x 95 - 150	4 x 6 - 70 4 x 6 - 120 4 x 10 - 150	A24886-000
MM-7-GD490	without	GUROFLEX	4,9 l	4 x 95 - 240 4 x 95 - 185 4 x 95 - 150	4 x 6 - 70 4 x 6 - 120 4 x 10 - 150	E35138-000
MM-C7-3C620	without	RAPID 3010	6,2 l	3 X 95/50 - 240/120 4 X 95/50 - 150/70 3 X 35/35 - 150/150	4 X 6 - 70 4 X 35/16 - 120/70 4 X 10 - 150	C93485-000
MM-C7-3D630	without	RAPID 3010	6,3 l	3 X 95/50 - 240/120 4 X 95/50 - 150/70 3 X 35/35 - 150/150	4 X 6 - 70 4 X 35/16 - 120/70 4 X 10 - 150	A54540-000
MM-C7-GC620	without	GUROFLEX	6,2 l	3 X 95/50 - 240/120 4 X 95/50 - 150/70 3 X 35/35 - 150/150	4 X 6 - 70 4 X 35/16 - 120/70 4 X 10 - 150	E98482-000
MM-C7-GD630	without	GUROFLEX	6,3 l	3 X 95/50 - 240/120 4 X 95/50 - 150/70 3 X 35/35 - 150/150	4 X 6 - 70 4 X 35/16 - 120/70 4 X 10 - 150	E77189-000

Stated smallest cross sections can be covered with supplied cable entry sealing material and filler volume. Smaller cross sections may require additional sealing or filler. "C" in the final part of the product description, refers to delivery in cans.

te.com/energy

©2014 TE Connectivity Ltd. family of companies. All Rights Reserved. EPP-2316-10/14

TE Connectivity and TE connectivity (logo) are trademarks. Other logos, product and/or company names might be trademarks of their respective owners. While TE has made every reasonable effort to ensure the accuracy of the information in this brochure, TE does not guarantee that it is error-free, nor does TE make any other representation, warranty or guarantee that the information is accurate, correct, reliable or current. TE reserves the right to make any adjustments to the information contained herein at any time without notice. TE expressly disclaims all implied warranties regarding the information contained herein, including, but not limited to, any implied warranties of merchantability or fitness for a particular purpose. The dimensions in this catalog are for reference purposes only and are subject to change without notice. Specifications are subject to change without notice. Consult TE for the latest dimensions and design specifications.

FOR MORE INFORMATION: TE Technical Support Centers

USA:	+ 1 800 327 6996
France:	+ 33 380 583 200
UK:	+ 44 0870 870 7500
Germany:	+ 49 896 089 903
Spain:	+ 34 916 630 400
Benelux:	+ 32 16 351 731
Canada:	+ 1 (905) 475-6222
Mexico:	+ 52 (0) 55-1106-0800
Latin/S. America:	+ 54 (0) 11-4733-2200
China:	+ 86 (0) 400-820-6015