

TE'S RAYCHEM SCREENED T-CONNECTORS RSTI-935

FOR 800A UP TO 40.5 kV

KEY FEATURES

- Screened connector does not need to be removed for over sheath testing
- Wide application range covers cable cross sections from 35 mm² to 300 mm²
- Easy access rear plug with capacitive test point
- Insulation made of highly modified silicone rubber
- Compact design supports use of double "T" connections inside standard terminal boxes
- Unlimited shelf-life

TE Connectivity's (TE) Raychem Screened separable T-connectors RSTI-935 are designed to connect single and three-core polymeric cables to medium voltage gas insulated switchgear, and other equipment using type "C" (EN50180/EN50181) specified for 630/1250A specified up to 40.5 kV.

Made of a highly modified silicone rubber and protected by a thin-walled, grounded outer conductive screen, TE's Raychem RSTI-935 connectors are equally suited for indoor and outdoor installation. The insulation of the connector is made of a highly modified silicone rubber characterised by high tracking resistance, elongation at break and non-flammability. The compact design supports the use of double "T" connections inside standard terminal boxes.

Supporting a wide application range, the design incorporates one body and two stress cone adapters to cover any cross-sections from 35 mm² to 300 mm². The overall and cut back dimensions are designed to take up minimum space in the terminal box.

The RSTI-935 connectors are equipped with a capacitive test point for determining whether the circuit is energised, protected by a conductive cap.

Customers can count on consistent, high quality products, driven by TE's proven innovation and backed by our extraordinary customer support.

TE's Raychem Screened T-Connectors RSTI-935

The RSTI-935 connectors meet GB/T 12706.4 requirements, Design fits 630A and 1250A bushings (Interface "C1" and "C2") as specified by EN 50180 and EN 50181.

TECHNICAL INFORMATION	
Cable insulation diameter range	22.4 mm - 42.0 mm
Connector cross-section range	35 mm ² - 300 mm ²
Maximum system voltage	40.5 kV
Continuous current rating	800A
Basic impulse level	200 kV
Partial discharge at 2 U ₀	< 2 PC
AC voltage withstand, 5 min	117 kV
Thermal short circuit, 1 s	55 kA
Thermal short circuit, 2 s	39 kA
Dynamic short circuit	131 kA

PRODUCT SELECTION INFORMATION			
Reference Number		Cross Section (mm ²)	Diameter Core Insulation mm (min - max)
Front Connector	Rear Connector		
Screened separable connection system with DIN compression lugs for Cu conductor			
RSTI-935-50C	RSTI-CC-935-50C	50	22.4 - 35.5
RSTI-935-70C	RSTI-CC-935-70C	70	22.4 - 35.5
RSTI-935-95C	RSTI-CC-935-95C	95	28.9 - 42.0
RSTI-935-120C	RSTI-CC-935-120C	120	28.9 - 42.0
RSTI-935-150C	RSTI-CC-935-150C	150	28.9 - 42.0
RSTI-935-185C	RSTI-CC-935-185C	185	28.9 - 42.0
RSTI-935-240C	RSTI-CC-935-240C	240	28.9 - 42.0
RSTI-935-300C	RSTI-CC-935-300C	300	28.9 - 42.0
Screened separable connection system with mechanical lug for Cu or Al conductor			
RSTI-935-3595	RSTI-CC-935-3595	35 - 95	22.4 - 35.5
RSTI-935-9524	RSTI-CC-935-9524	95 - 240	28.9 - 42.0
RSTI-935-1830	RSTI-CC-935-1830	185 - 300	28.9 - 42.0

Kits with deep indent compression lugs on request. Contact your local TE sales representative. Our listed products contain the trifurcation kit for 3-core cables.

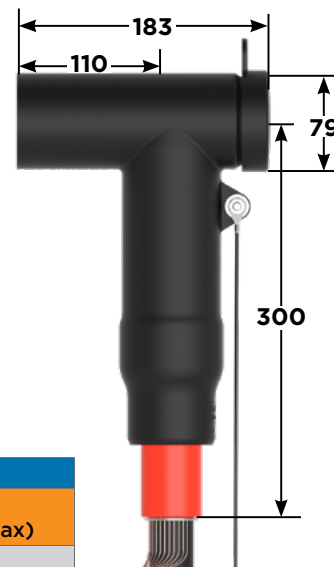
ACCESSORIES	
Test Rod	
RSTI-68TR	Length: 310 mm
RSTI-68TRL	Length: 460 mm
RSTI-68TRA	Kit includes 2 short and 1 long test rod
Terminal Plug	
RSTI-68TP	
Earthing Adapter	
RSTI-68EA20	Ball Diameter: 20 mm
RSTI-68EA25	Ball Diameter: 25 mm
Live and Seal	
Material for three phases	1 X RSTI-935-XX (Kit) 1 X RSTI-68TP (terminating plug kit)

TEST REPORT		
Reference No.	Voltage (kV)	Specification
2013JDL045	40.5	GB/T 12706.4-2008
2013JDL046	40.5	IEC 60502.4-2005"

te.com/energy

© 2018 TE Connectivity. All Rights Reserved. EPP-2282-10/18-EN

Raychem, TE, TE Connectivity and TE connectivity (logo) are trademarks. Other logos, product and/or company names might be trademarks of their respective owners. While TE has made every reasonable effort to ensure the accuracy of the information in this data sheet, TE does not guarantee that it is error-free, nor does TE make any other representation, warranty or guarantee that the information is accurate, correct, reliable or current. TE reserves the right to make any adjustments to the information contained herein at any time without notice. TE expressly disclaims all implied warranties regarding the information contained herein, including, but not limited to, any implied warranties of merchantability or fitness for a particular purpose. The dimensions in this data sheet are for reference purposes only and are subject to change without notice. Specifications are subject to change without notice. Consult TE for the latest dimensions and design specifications.



FOR MORE INFORMATION: TE Technical Support Centers

USA:	+ 1 800 327 6996
Canada:	+ 1 (905) 475-6222
Mexico:	+ 52 (0) 55-1106-0800
Latin/S. America:	+ 54 (0) 11-4733-2200
France:	+ 33 380 583 200
UK:	+ 44 0870 870 7500
Germany:	+ 49 89 6089 903
Spain:	+ 34 916 630 400
Italy:	+ 39 333 250 0915
Benelux:	+ 32 16 508 695
Russia:	+ 7 495-790 790 2-200
China:	+ 86 (0) 400-820-6015