

Brass tunnel connectors with moulded insulation shrouds

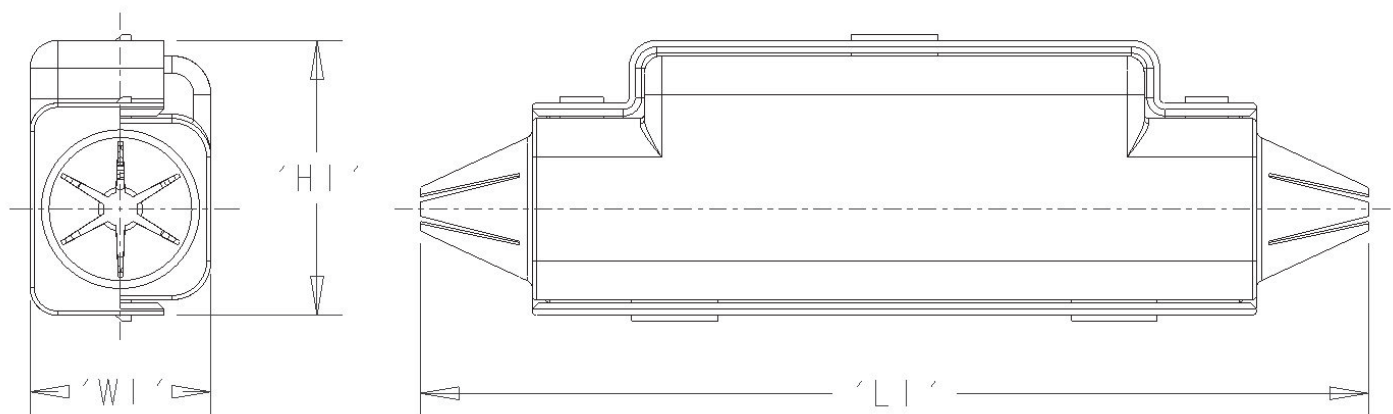
Brass tunnel connectors are suitable for connecting a wide range of solid circular aluminium, stranded copper or stranded aluminium conductors. The moulded orange insulation shrouds offer reliable and robust insulation thus reducing installation time and making live working easier and safer.

Features

- Suitable for stranded or solid, copper or aluminium conductors.
- Quick and easy to install moulded insulation shroud.
- Available as water blocked or unblocked.

Standard

- Connectors tested to BS4579 part 1.
- Moulded insulation shroud tested to 5 kV Ac and 1 kV DC.



Reference	PN	TCPN	Conductor size (mm ²)		Nominal bore Ø	Standard grub screw size	LI (mm)	HI (mm)	WI (mm)
			Stranded Cu	Solid aluminium					
BTC145WINS	BAH-032040065	CX4094-000	4-25	10-35	8	M6	95	17.5	26
BTC5130TWINS (130mm long)	BAH-032040068	CX4097-000	4-50	10-50	9.5	M8	187	21	33.5
BTC6130WINS (130mm long)	BAH-032040067	CX4096-000	4-60	10-70	11	M10	110	21	32
BTC360WINS	BAH-032040066	CX4095-000	4-60	10-70	11	M10	187	21	33.5

While TE has made every reasonable effort to ensure the accuracy of the information in this catalogue, TE does not guarantee that it is error-free, nor does TE make any other representation, warranty or guarantee that the information is accurate, correct, reliable or current. TE reserves the right to make any adjustments to the information contained herein at any time without notice. TE expressly disclaims all implied warranties regarding the information contained herein, including, but not limited to, any implied warranties of merchantability or fitness for a particular purpose. The dimensions in this catalogue are for reference purposes only and are subject to change without notice. Specifications are subject to change without notice. Consult TE for the latest dimensions and design specifications. TE connectivity (logo), TE (logo) and TE Connectivity are trademarks of the TE Connectivity Ltd. family of companies. Other logos, product and company names mentioned herein may be trademarks of their respective owners.

TE Energy - innovative and economical solutions for the electrical power industry: cable accessories, connectors & fittings, insulators & insulation, surge arresters, switching equipment, street lighting, power measurement and control.

Tyco Electronics UK Ltd
 a TE Connectivity company
 Freebournes Road
 Witham, Essex CM8 3AH

Phone: +44 (0)870 870 7500
 Fax: +44 (0)870 240 5289
 Email: ukutilities@tycoelectronics.com

www.energy.te.com

DATA SHEET
 Number: EPP-2167
 Date: 05/11/2013
 Revision: A

