



THE LUMAWISE ALR 8000 SERIES IS THE RESULT OF OVER FIFTY YEARS OF EXPERIENCE DESIGNING AND DELIVERING HIGHLY-RATED PHOTOCONTROLS AND OTHER LIGHTING ACCESSORIES AROUND THE WORLD.

LUMAWISE ALR 8000 SERIES

PHOTOCONTROL

TE Connectivity's (TE) advanced technology LUMAWISE ALR 8000 Series Photocontrol provides a durable, ultra-high performance, multi-voltage control especially designed for twenty-year operation in demanding roadway, street and area LED lighting applications.

TE's LUMAWISE 8000 Series photocontrol design has eliminated electrolytic capacitors resulting in a truly long-life control. The 8000 Series design using a 30 AMP rated 120 VAC relay helps to ensure that our control will surpass 20,000 On/Off operation cycles per ANSI C136.10.

As is the case with all of our electronic controls, the 8000 Series utilizes our interlocking base/cap design for superior environmental protection. A high temperature base material, rated at a minimum of 138°C, along with a UV stabilized, opaque housing ensures our control will last over 20 years without degradation. With additional new part numbers, the LUMAWISE 8000 Series now provides two photocontrols with surge protection up to 1025J and two photocontrols with ingress protection up to IP66.

BENEFITS

- Designed for LED lighting
- Supports multiple input voltages
- Rated life: 20 years
- 25mm, 20kA, 300 Joule MOV, standard
- Meets or exceeds ANSI C136.10

LUMAWISE ALR 8000 SERIES

PHOTOCONTROL

APPLICATIONS

- Street and area LED lighting
- Roadway LED lighting
- Commercial outdoor LED lighting (i.e. parking, lots, car dealerships)

ELECTRICAL

- Voltage rating: 105 – 305 VAC
- Frequency: 50/60 Hz
- Power consumption: Less than 0.5 watts at 120 VAC
- Relay rating: 30 AMP general purpose relay
- Load rating: Resistive: 1000 W Tungsten: 1800 VA Electronic ballast: 5 A
- Operating light levels: Standard 1.5 Fc on (optional 1 – 2.6 Fc)
- Time delay ON/OFF: Instant on, 2 – 5 second delay OFF
- Surge protection: Up to 1025J
- OFF/ON ratio: 1.5:1
- Fail mode: ON or OFF
- Light sensor: Non-drifting phototransistor

MECHANICAL

- Operating temperature rating: -40°C to +65°C at 96% RH
- Rated life: 20 years
- Control: DC electromagnetic switch exceeds 20,000 ON/OFF operations per ANSI C136.10
- Ingress protection: Up to IP66

MATERIALS

- Base: High temperature polyester (PBT)
- Gasket: Cross-linked polyethylene
- Cover: High impact polypropylene with UV stabilized polycarbonate window
- Connection: 3 pole locking type with brass contacts
- Dimensions: IP54 version: Approximately 83mm diameter X 45mm high (not including contacts)
IP66 version: Approximately 82mm diameter X 56mm high (not including contacts)

SPECIFICATIONS

- ANSI C136.10



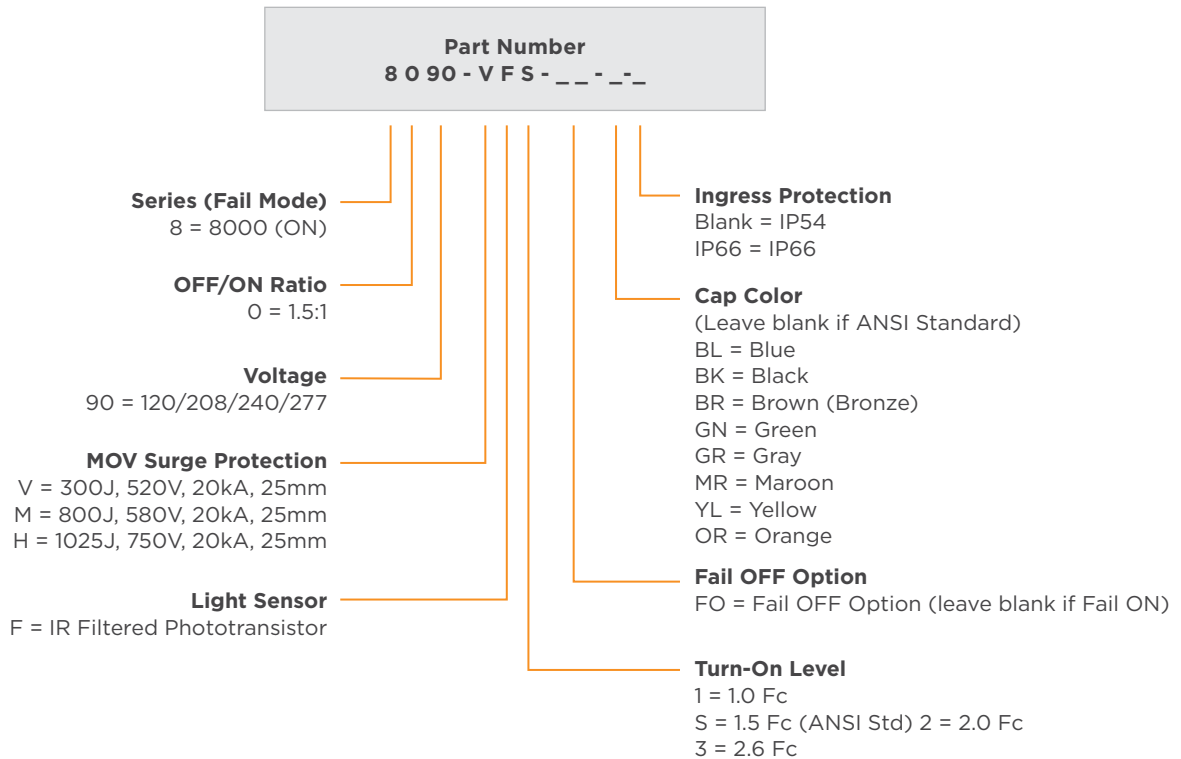
PRODUCT INFORMATION

Part Number	Descriptive PN	Color	Energy	Current	Certification
<u>BB3399-000</u>	ALR-8090-VFS	Blue	300J	20kA	-
<u>CZ9645-000</u>	ALR-8090-VFS-FO	Green	300J	20kA	-
<u>FG1245-000</u>	ALR-8090-VFS-BK	Black	300J	20kA	-
<u>G37412-000</u>	ALR-8090-VFS-GN	Green	300J	20kA	-
<u>2401414-1</u>	ALR-8090-MFS	Blue	800J	20kA	UL
<u>2401414-2</u>	ALR-8090-HFS	Blue	1025J	20kA	UL
<u>2388947-1</u>	ALR-8090-VFS-FO-IP66	Green	300J	20kA	-
<u>2388950-1</u>	ALR-8090-MFS-IP66	Blue	800J	20kA	UL

LUMAWISE ALR 8000 SERIES

PHOTOCONTROL

The 8000 series offers almost unlimited options ensuring your lighting network needs will be met.



ANSI Standard Cap Colors	Fail ON	Fail OFF
120V	Gray	Orange
208 / 240 / 277V	Maroon	-
120 / 208 / 240 / 277V	Blue	Green

If any additional part numbers are needed contact [Product and Customer Support](#).

te.com

© 2023 TE Connectivity. All Rights Reserved.

TE Connectivity, TE connectivity (logo) and Every Connection Counts are trademarks owned or licensed by TE Connectivity. All other logos, products and/or company names referred to herein might be trademarks of their respective owners.

While TE has made every reasonable effort to ensure the accuracy of the information in this brochure, TE does not guarantee that it is error-free, nor does TE make any other representation, warranty or guarantee that the information is accurate, correct, reliable or current. TE reserves the right to make any adjustments to the information contained herein at any time without notice. TE expressly disclaims all implied warranties regarding the information contained herein, including, but not limited to, any implied warranties of merchantability or fitness for a particular purpose. The dimensions in this catalog are for reference purposes only and are subject to change without notice. Specifications are subject to change without notice. Consult TE for the latest dimensions and design specifications.

06/23 ES