



## TOOL FREE TERMINATION (TFT-E)

15, 25, 35 kV

### KEY FEATURES

- Material does not degrade in outdoor applications
- Prevents collapsing due to rough handling
- Seals out moisture and contamination
- Provides easier installation in confined spaces
- Termination can be repositioned after installation on cable
- Aluminum ShearBolts are available for 35 kV class terminations

TE Connectivity's (TE) Raychem Elastomeric medium voltage terminations for 15 kV, 25 kV and 35 kV single core polymeric cables are designed for customers who want TE's material technology with a cold applied system.

The TFT-E features an advanced stress control system using metal oxide matrix technology providing superior electrical performance. The TFT-E system has an elastomeric housing with integral sheds that is formulated for long-term performance in typical extreme termination environments.

The housing comes on a pre-lubricated, crush resistant holdout for simple installation. The superior elastomeric housing, together with the positively positioned stress control system and moisture sealing mastic, provide reliable and consistent installations.

**Customers can count on consistent, high quality products, driven by TE's proven innovation and backed by our extraordinary customer support.**

## Tool Free Termination (TFT-E)



The TFT-E system meets or exceeds IEEE-48-1996, Class 1 termination requirements, including the following

Insulation Class	6 h AC	DEV	BIL	DC
15 kV	35 kV	13 kV	110 kV	75 kV
25 kV	55 kV	21.5 kV	150 kV	105 kV
35 kV	75 kV	30 kV	200 kV	140 kV

### PRODUCT SELECTION INFORMATION: DIMENSIONS IN INCHES (mm)

Description	Nominal Conductor Size (AWG/kcmil)	Min/Max Insulation ODs* (Inches) (mm)	
TFT-151E / SG/SLC	#2 - 250	0.64 - 1.09	16 - 28
TFT-152E / SG/SLC	4/0 - 500	0.85 - 1.45	22 - 37
TFT-153E / SG/SLC	500 - 750	1.06 - 1.70	27 - 43
TFT-154E / SG/SLC	1000 - 1250	1.49 - 2.20	38 - 56
TFT-251E / SG/SLC	#1 - 3/0	0.64 - 1.09	16 - 28
TFT-252E / SG/SLC	#1 - 500	0.85 - 1.45	22 - 37
TFT-253E / SG/SLC	250 - 750	1.06 - 1.70	27 - 46
TFT-254E / SG/SLC	750 - 1250	1.49 - 2.20	38 - 63
TFT-352E / SG/SLC	1/0 - 250	0.85 - 1.45	22 - 37
TFT-353E / SG/SLC	4/0 - 500	1.06 - 1.70	27 - 43
TFT-354E / SG/SLC	500 - 1250	1.49 - 2.20	38 - 56

\*Insulation ODs and nominal conductor sizes are based on 100 and 133% concentric stranded cable dimensions.

### KITS INCLUDING SHEARBOLTS: DIMENSIONS IN INCHES (mm)

Description	Nominal Conductor Size (AWG/kcmil)	Min/Max Insulation ODs (inches)	Min/Max Insulation ODs (mm)	Connector
TFT-353E-T5	1/0 - 350	1.05 - 1.48	26 - 38	ASBT-2-350
TFT-354E-T8	350 - 750	1.36 - 1.82	35 - 46	ASBT-350-750
TFT-354E-T9	600 - 1000	1.57 - 2.20	40 - 56	ASBT-600-1000

Packaging: Standard packaging is three terminations per box.

Available accessories: The BRKT series of stainless steel cable mounting brackets are available.

Four sizes of bracket accommodate cable diameters from 0.80-2.40"

The MOD-3-TFT series of three conductor modification kits are available.

Kits provide re-jacketing of phase conductors and break out seals.

Lugs and pin terminals also available.

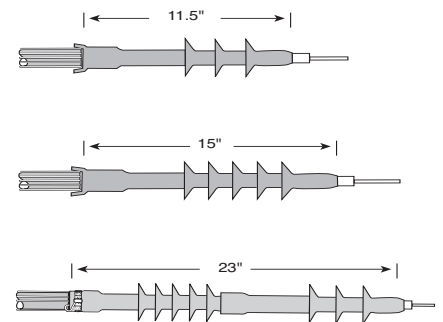
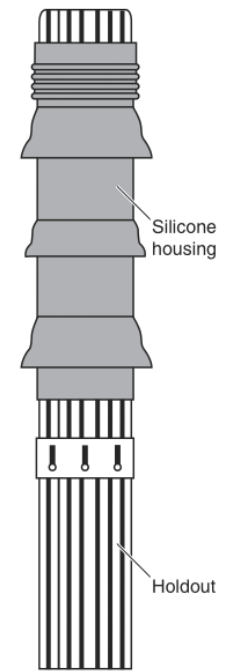
### TEST REPORT

15 kv Test Report: EDR-5302  
 25 kv Test Report: EDR-5303  
 35 kv Test Report: EDR-5299

[te.com/energy](http://te.com/energy)

© 2005, 2007, 2008-2011, 2012, 2014, 2016 TE Connectivity Ltd. family of companies. All Rights Reserved.  
 EPP-2601-DDS-5/16-EN-AMS-TFT-E-Raychem E110

Raychem, TE Connectivity and TE connectivity (logo) are trademarks. Other logos, product and/or company names might be trademarks of their respective owners. While TE has made every reasonable effort to ensure the accuracy of the information in this brochure, TE does not guarantee that it is error-free, nor does TE make any other representation, warranty or guarantee that the information is accurate, correct, reliable or current. TE reserves the right to make any adjustments to the information contained herein at any time without notice. TE expressly disclaims all implied warranties regarding the information contained herein, including, but not limited to, any implied warranties of merchantability or fitness for a particular purpose. The dimensions in this catalog are for reference purposes only and are subject to change without notice. Specifications are subject to change without notice. Consult TE for the latest dimensions and design specifications.



### FOR MORE INFORMATION: TE Technical Support Centers

USA: +1 800 327 6996  
 France: +33 380 583 200  
 UK: +44 0870 870 7500  
 Germany: +49 896 089 903  
 Spain: +34 916 630 400  
 Italy: +39 333 250 0915  
 Benelux: +32 16 351 731  
 Canada: +1 (905) 475-6222  
 Mexico: +52 (0) 55-1106-0800  
 Latin/S. America: +54 (0) 11-4733-2200  
 China: +86 (0) 400-820-6015