





THIS DRAWING IS UNPUBLISHED. RELEASED FOR PUBLICATION 20  
 © COPYRIGHT 20 BY TYCO ELECTRONICS CORPORATION. ALL RIGHTS RESERVED.


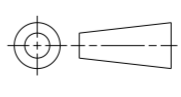
LOC	DIST	REVISIONS			
P	LTR	DESCRIPTION	DATE	DWN	APVD
J	-	A	RELEASED	19FEB2014	JK JK

TOOL NUMBER	CRIMP SYMBOL	WIRE SIZE mm <sup>2</sup> [AWG]	INSULATION DIAMETER mm [in.]	INSUL. ADJ.	STRIP LENGTH mm [in.]	CRIMP HEIGHT mm [in.]	CONTACT PART NUMBERS 		CONTACT DESCRIP.	APPLIC. SPECIF.
							LOOSE PIECE	STRIP FORM		
2255152-1	A	0.2 - 0.37 [24-22]	1.1-1.7 [.0433 - .0669]	NO	3.5-4.5 [.1378-.1772]		175412-[ ]	175411-[ ]	110 Positive Lock Contacts	114-5120
	B	0.5-0.89 [20-18]	1.7-2.7 [.0669 - .1063]				174778-[ ]	174777-[ ]		
	C	1.25-1.43 [16]	2.5-3.1 [.0984 - .1220]							

 LIST OF APPLIED CONTACT PART NUMBERS MAY NOT BE COMPLETE AND IS SUBJECT TO CHANGE. FOR CURRENT INFORMATION ON TERMINAL PART NUMBERS, CONTACT THE TOOLING ASSISTANCE CENTER : 1-800-722-1111.

 -1 IS A CERTICRIMP II HAND TOOL ASSEMBLY. -3 IS A CERTICRIMP II HEAD SUB-ASSEMBLY.

2. TE, CERTI-CRIMP are trademarks.

<small>THIS DRAWING IS A CONTROLLED DOCUMENT FOR TYCO ELECTRONICS CORPORATION. IT IS SUBJECT TO CHANGE AND THE CONTROLLING ENGINEERING ORGANIZATION SHOULD BE CONTACTED FOR THE LATEST REVISION.</small>		DWN JK 19FEB2014	 TE Connectivity Kawasaki, Japan
DIMENSIONS: mm 		CHK JK 19FEB2014	
TOLERANCES UNLESS OTHERWISE SPECIFIED: 0 PLC ± 1 PLC ± 2 PLC ± 3 PLC ± 4 PLC ± ANGLES ± FINISH		APVD J. KOGA 19FEB2014	NAME <b>CERTI-CRIMP II TOOL DATA SHEET</b> <b>110 POSITIVE LOCK CONTACT (24-22,20-16)</b>
MATERIAL		PRODUCT SPEC -	SIZE A2
		APPLICATION SPEC -	CAGE CODE 00779
		WEIGHT -	DATA SHEET NO DS-2255152
		DATA SHEET	RESTRICTED TO -
		SCALE -	SHEET 1 OF 1 REV A