

EKM-2051-3D1-5S/U-3SA-E1
Art.-Nr. BM3990-000



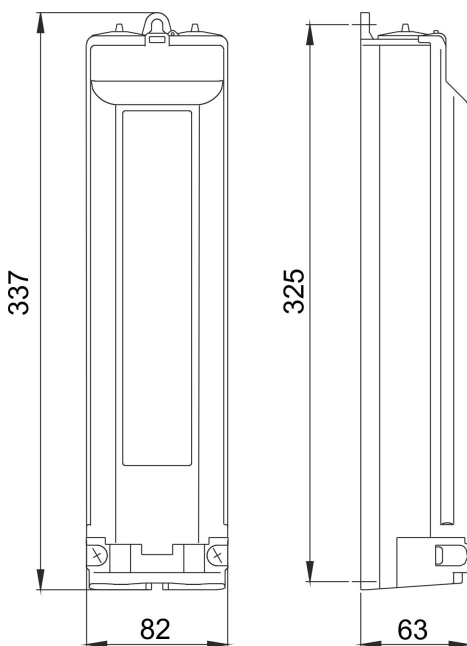
SK for installation in lighting columns
 Protection class II
 Ingress protection IP 54
 Minimum pole diameter of 89 mm / Door opening minimum 85 x 350 mm
 l x w x h: 337 x 82 x 63
 Transparent cover
 5 sliding terminals
 Prewired with bars (N, L1, (L3), L2, PE(N))
 3 fuse holder D01 (E14) up to 16 A / 3 screw caps
 All metal parts corrosion protected (Ni-plated brass or stainless steel)
 premounted earthing cable, 10 mm², green / yellow, 400 mm long,
 with captive screw M 8 x 12
 Transparent cover

3x surge arrester Typ 2+3

U_N : 230 - 277 V
 U_c : 320 V
 U_p : 1.500 V
 I_{max} (1x8/20 s): 10 kA
 I_{total} (8/20 s): 20 kA
 I_n (15x8/20 s): 5 kA
 U_{oc} : 10 kV/5kA
 I_L : 5A
 I_{scCR} : 1kA



with captive screw M 8 x 12
 For up to 3 earth cables 5x4 mm² - 16 mm² 1 or 2 earth cables 4x25 mm²
 With easy adaptable cable sealing for 1-3 earth cables Ø 19 – 24 mm
 For 2 luminaire cables 3 x 1,5 mm² - 5 x 2,5 mm²
 2 sealing grommets for luminaire cables Ø 8 – 14 mm
 Two additional luminaire cables can be routed towards the bottom of the box



Cable entry

