



PDM24519

3-Port MIMO Antenna

2400-2500 MHz/5100-5900 MHz

The PDM24519 antenna is a dual-band three-port directional antenna for use in 802.11n MIMO applications. Equipped with two vertically-polarized ports and a single horizontally-polarized port, the antenna is designed to take advantage of both polarization and spatial separation to enhance coverage areas populated with obstructions.

Housed in a compact, low-profile polycarbonate radome and equipped with an articulating arm the antenna can be wall mounted and oriented to take full advantage of the antenna's directionality.

The radiation patterns are uniform and symmetrical, providing high levels of signal density into defined coverage zones.

This antenna greatly enhances the performance of 802.11n systems where physical obstructions are anticipated. The dual band frequency coverage means that a single type of antenna can be deployed with any MIMO radio in the 2.4-2.5 GHz and 5.1-5.9 GHz bands.

FEATURES AND BENEFITS

- Vertically and horizontally polarized radiating elements in a single solution
- Compact low-profile housing
- Equitable for both indoor and outdoor solutions
- Wide band 2.4-2.5 GHz and 5.1-5.9 GHz performance

APPLICATIONS

- 802.11n MIMO
- Offices, hotels, and college campuses
- Airports and hospitals
- Bus terminals and train stations
- Museums, libraries, and retail malls
- Outdoor networks

ELECTRICAL SPECIFICATION

| | | |
|--------------------------------------|---|-----------|
| Model Name | PDM24519-FNF | |
| Number of Ports | 3 | |
| Operating Frequency (MHz) | 2400-2500 | 5150-5900 |
| VSWR - Max | 2:1 | |
| Gain (dBi) | 8.0 | 9.0 |
| Vertical Port 1 to Vertical Port 2 | 17 | 33 |
| Horizontal Port 1 to Vertical Port 1 | 33 | >40 |
| Horizontal Port 1 to Vertical Port 2 | 37 | >40 |
| Nominal Impedance (Ohms) | 50 | |
| Max Power - Ambient 25°C (W) | 10 | |
| Power Handling (W) | - | |
| Polarization | Horizontal (port 1); Vertical (ports 2 & 3) | |
| Vertical Plane 3 dB Beamwidth | 45° | 30° |
| Horizontal Plane 3 dB Beamwidth | 90° | 120° |
| Front-to-Back Ratio (dB) | 20 | |

MECHANICAL SPECIFICATION

| | |
|--------------------------|---|
| Dimensions - mm (inches) | 178.0 x 305.0 x 25.0 (7.0 x 12.0 x 1.0) |
| Weight - kg (lbs.) | 0.69 (2.20) |
| Radome Material | Polycarbonate EXL9330 White |

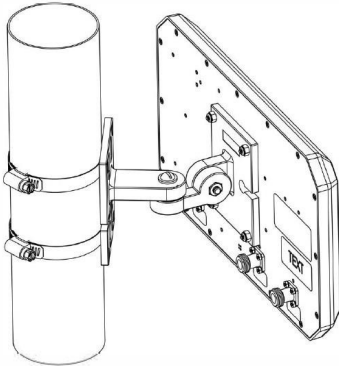
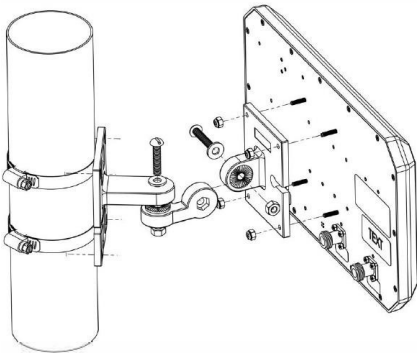
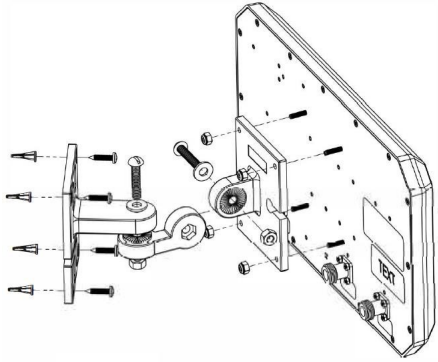
ENVIRONMENTAL SPECIFICATION









| | |
|---------------------------------|------------------------------|
| Operating Temperature - °C (°F) | -30 to +70°C (-22 to +158°F) |
| Storage Temperature - °C (°F) | -40 to +85°C (-40 to +185°F) |
| Ingress Protection Rating | IP67 |
| Material Substance Compliance | RoHS |

CONFIGURATION

| PART NUMBER | CONNECTOR |
|--------------|-----------------------------|
| PDM24519-FNF | Surface Mount Type N Female |

MOUNTING OPTIONS



| DISPLAY | DESCRIPTION | SIZE | QTY |
|---|----------------------|--------------------|-----|
|  | Flat washer | 1/4" | 2 |
|  | Hose clamp | - | 2 |
| - | Articulating arm | - | 1 |
| - | Wall/Mast mount | - | 1 |
| - | Antenna mount | - | 1 |
|  | Plastic wall anchor | #8 | 4 |
|  | SS machine screw | #8 - 18 x 3/4" | 4 |
|  | Machine screw | 1/4" - 20 x 1-1/4" | 2 |
|  | SS split lock washer | 1/4" | 2 |
|  | SS hex nut | 1/4" - 20 | 2 |
|  | SS/nylon hex nut | #6 - 32 | 4 |

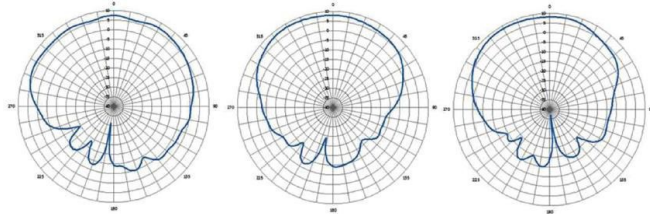
To assemble and mount the antenna, follow these steps:

- Using the four #6-32 nylon lock nuts to attach the molded antenna mount to the exposed studs on the back of the antenna.
- Using a 1/4" - 20 x 1-1/4" machine screw, lock washer, flat washer, and 1/4" - 20 hex nut, secure the molded arm to the antenna mount.
- For installation on a flat surface:**
 - Use the molded wall/mast mount as a template to mark hole locations on the flat surface
 - Drill four 3/16" diameter pilot holes and install wall anchors
 - Install the mount using four #8 - 18 x 3/4" self-tapping screws
- For pole or mast installations:**
 - Attach the two hose clamps to the molded wall/mast mount. Encircle the pole with each clamp and tighten
- To attach the antenna assembly to the wall/mast, install a 1/4" x 1-1/4" machine screw, 1/4" lock washer, and 1/4" flat washer, as shown
- Use the screw to attach the free end of the articulating arm to the mount, securing in place with a 1/4" - 20 nut.
- Loosen the 1/4" pivot screws as needed to position the antenna for the desired azimuth and elevation steering. Once adjusted, tighten all hardware securely.

RADIATION PATTERNS

2450 MHz

Azimuth

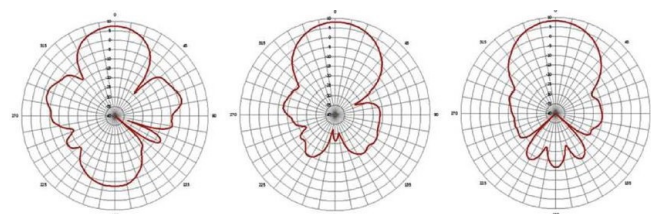


Port 1: H-pol

Port 2: V-pol

Port 3: V-pol

Elevation



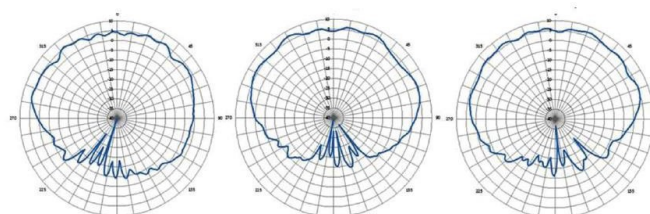
Port 1: H-pol

Port 2: V-pol

Port 3: V-pol

5550 MHz

Azimuth

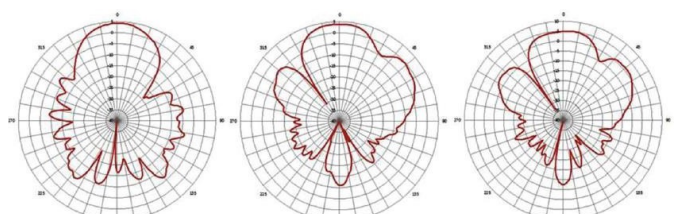


Port 1: H-pol

Port 2: V-pol

Port 3: V-pol

Elevation



Port 1: H-pol

Port 2: V-pol

Port 3: V-pol

TE TECHNICAL SUPPORT CENTER

| | |
|-------------------|-----------------------|
| USA: | +1 (800) 522-6752 |
| Canada: | +1 (905) 475-6222 |
| Mexico: | +52 (0) 55-1106-0800 |
| Latin/S. America: | +54 (0) 11-4733-2200 |
| Germany: | +49 (0) 6251-133-1999 |
| UK: | +44 (0) 800-267666 |
| France: | +33 (0) 1-3420-8686 |
| Netherlands: | +31 (0) 73-6246-999 |
| China: | +86 (0) 400-820-6015 |

te.com

TE, and TE connectivity (logo) are trademarks owned or licensed by the TE Connectivity Ltd. family of companies. All other logos, products and/or company names referred to herein might be trademarks of their respective owners.

The information given herein, including drawings, illustrations and schematics which are intended for illustration purposes only, is believed to be reliable. However, TE Connectivity makes no warranties as to its accuracy or completeness and disclaims any liability in connection with its use. TE Connectivity's obligations shall only be as set forth in TE Connectivity's Standard Terms and Conditions of Sale for this product and in no case will TE Connectivity be liable for any incidental, indirect or consequential damages arising out of the sale, resale, use or misuse of the product. Users of TE Connectivity products should make their own evaluation to determine the suitability of each such product for the specific application.

TE Connectivity warrants to the original end user customer of its products that its products are free from defects in material and workmanship. Subject to conditions and limitations TE Connectivity will, at its option, either repair or replace any part of its products that prove defective because of improper workmanship or materials. This limited warranty is in force for the useful lifetime of the original end product into which the TE Connectivity product is installed. Useful lifetime of the original end product may vary but is not warranted to exceed one (1) year from the original date of the end product purchase.

©2022 TE Connectivity. All Rights Reserved.

08/22 Original