

2178438-1

6.3 mm(.250) F-SPRING FASTON LOW INSERTION FORCE



Description F-SPRING CONTACT LOW INSERTION FORCE RECEPTACLE
Wire section range 0.2~0.5 sqmm (AWG # 24- #20)
Max. Insulator 2.1mm

Materials, Temperature & Contact resistance

| Part number | Material | Finishing | Max. temp.(C°) | Resistance(mΩ) |
|-------------|----------|---------------|----------------|----------------|
| 2178438-1 | Steel | Nickel-plated | 400 | 1.08 |

Note: Temperature per IEC 61210 standard. Contact resistance test method per IEC 60512 Standard

Material thickness 0.4mm

Current carrying capability

| Wire range (AWG) | Continues rated current (A) |
|------------------|-----------------------------|
| 20AWG | 5 |
| 22AWG | 3 |
| 24AWG | 2 |

Note: Current carrying capacity according to wire size per IEC 61210

Insertion/Withdrawal forces

| | TE connectivity | |
|----------------------------|-----------------|---------------|
| | Spec | Typical value |
| 1 st Insertion | 35N max. | < 30N |
| 1 st Withdrawal | 40N min. | 50N< X <60N |
| 6 th Withdrawal | 20N min. | >30N |

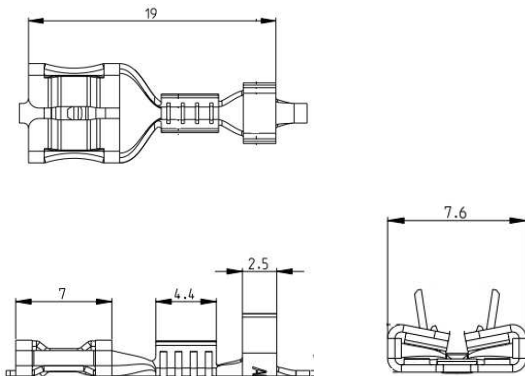
Applicator part number 2150337-1
Application spec 114- 64027
Product spec 108- 64027
Wire strping length 6.4mm±0.5

Crimping parameters & Pull out force

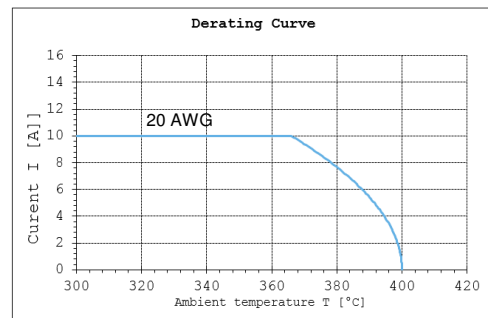
| Wire range(AWG) | Conductor | | Insulator | Pull-out force | | |
|-----------------|------------|-----------|-----------|----------------|--------------|-------------|
| | Height(mm) | Width(mm) | | UL 310(N) | IEC 61210(N) | Measured(N) |
| 24 | 1.26 | 1.78 "F" | 3.9 | 22.3 Min. | 28N Min. | 52.8 AVG. |
| 22 | 1.31 | 1.78 "F" | 3.9 | 36 Min. | 36N Min. | 73.5 AVG. |
| 20 | 1.38 | 1.78 "F" | 3.9 | 58 Min. | 58N Min. | 131.4 AVG. |

Packing 5000 Pieces per reel, 15000 Pieces per box,
Approvals UL certification No.: E66717-20150429; VDE certification No: 40043271; RoHS Compliant; Reach Compliant.

Drawing



Derating curve



Note: Maximumcurrent VS maximum ambient temperature