

TINEL RING SWEPT ELBOW BACKSHELLS (TXR)

PROVIDES A SMOOTH 90° CABLE TERMINATION OPTION FOR SCREENED CABLES

TE Connectivity's (TE) Tinel Ring (TXR) swept elbow backshells are designed with a smooth internal bore and a continuous bend radius. TE is complementing the recently introduced banding (BT) backshell with a tinel-lock version (TXR) to suit a wide range of circular connectors. These backshells offer up to 20% weight savings over traditional backshells. Swept elbow backshells can be utilized in many aerospace and defense applications where highly reliable termination solutions are required.

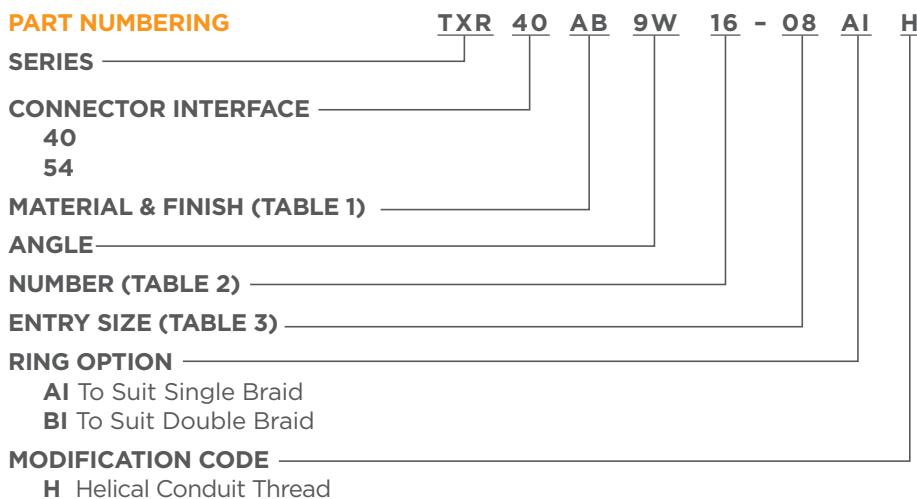
APPLICATIONS/MARKETS

- Aerospace
- Defense

STANDARDS AND SPECIFICATIONS

- TXR40 mates to MIL-DTL-38999 Series III & IV and when mated shall provide water-tight seal meeting the requirements of MIL-C-85049
- TXR54 mates to MIL-DTL-26482 Series II and MIL-DTL-83723 Series I and II

PART NUMBERING



For no modification, leave blank.

*Contact TE for all modification options



WEIGHT SAVINGS

- Up to 20% over the traditional right angle design

MULTIPLE CONFIGURATIONS

- Multiple shell sizes and plating finishes available

EASY INSTALLATION

- Simple and fast termination solutions
- The spin coupling nut allows for improved reliability

HIGH-RELIABILITY SOLUTIONS

- With a heat shrink boot, backshells can provide strain relief and cable support to help prevent bending or overflexing
- Overall 360° screening against EMI/RFI interference

TE REPAIR RINGS

- TE has a wide variety of Side Entry Tinel (SETR) repair rings available for rework in the field

Tinel Ring Swept Elbow Backshells (TXR)

TABLE 1

Code	Material & Plating
AB	Aluminum, cadmium olive drab over electroless nickel
AC	Aluminum, electroless nickel
AZ	Aluminum, zinc nickel black passivate over electroless nickel

*Contact TE for all material and plating options

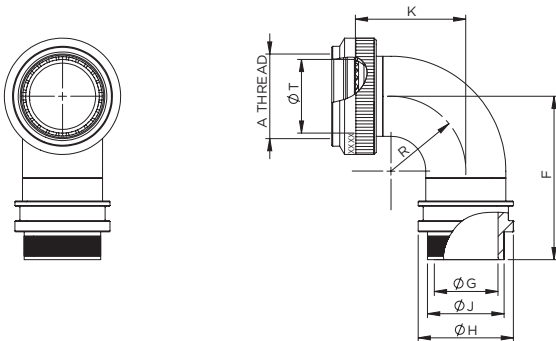
Connector Interface 40

TABLE 2

Order Number	Shell Size	A Thread	ØB Max	K Max	F Max	R Ref.	ØT Min	Entry Sizes
08	09	M12 x 1.0	18.0	19.2	31.9	9.0	6.7	04
10	11	M15 x 1.0	21.0	22.4	35.1	12.2	10.2	04, 05
12	13	M82 x 1.0	24.5	25.6	38.3	15.4	13.5	06, 07
14	15	M22 x 1.0	29.0	28.7	41.4	18.5	16.2	07, 08
16	17	M25 x 1.0	32.5	31.9	44.6	21.7	19.4	08, 10
18	19	M28 x 1.0	35.5	35.1	47.8	24.9	21.8	10, 12
20	21	M31 x 1.0	37.0	38.3	51.0	28.1	25.1	12, 14
22	23	M34 x 1.0	40.0	41.4	54.1	31.2	28.2	14, 16
24	25	M37 x 1.0	43.5	44.6	57.3	34.4	31.4	16, 18

TABLE 3

Entry Size	ØG Min	ØJ	ØH ± 0.3
04	6.35	9.49 +/-0.04	14.0
05	7.92	11.06 +/-0.04	15.5
06	9.53	12.66 +/-0.04	17.1
07	11.10	14.21 +/-0.07	18.7
08	12.70	15.81 +/-0.07	20.3
10	15.88	18.96 +/-0.08	23.5
12	19.05	22.14 +/-0.08	26.7
14	22.23	25.30 +/-0.08	29.8
16	25.40	28.48 +/-0.08	33.0
18	28.58	31.65 +/-0.08	36.2



Connector Interface 54

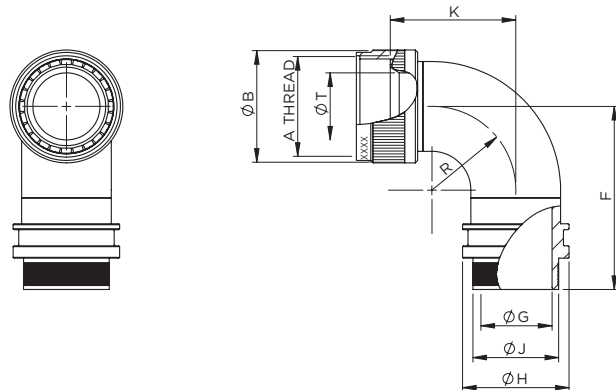
TABLE 2

Order Number	Shell Size	A Thread	ØB Max	K Max	F Max	R Ref.	ØT Min	Entry Sizes
08	08	1/2 - 20UNF	15.6	19.2	31.9	9.0	6.6	04
10	10	5/8 - 24UNEF	18.6	22.4	35.1	12.2	9.3	04, 05
12	12	3/4 - 20UNEF	21.7	25.6	38.3	15.4	12.8	06, 07
14	14	7/8 - 20UNEF	24.9	28.7	41.4	18.5	14.7	07, 08
16	16	1 - 20UNEF	28.2	31.9	44.6	21.7	17.8	08, 10
18	18	1 1/16 - 18UNEF	30.9	35.1	47.8	24.9	19.8	10, 12
20	20	1 3/16 - 18UNEF	34.1	38.3	51.0	28.1	23.0	12, 14
22	22	1 5/16 - 18UNEF	37.3	41.4	54.1	31.2	26.2	14, 16
24	24	1 7/16 - 18UNEF	40.4	44.6	57.3	34.4	29.1	16, 18

TABLE 3

Entry Size	ØG Min	ØJ	ØH ± 0.3
04	6.35	9.49 +/-0.04	14.0
05	7.92	11.06 +/-0.04	15.5
06	9.53	12.66 +/-0.04	17.1
07	11.10	14.21 +/-0.07	18.7
08	12.70	15.81 +/-0.07	20.3
10	15.88	18.96 +/-0.08	23.5
12	19.05	22.14 +/-0.08	26.7
14	22.23	25.30 +/-0.08	29.8
16	25.40	28.48 +/-0.08	33.0
18	28.58	31.65 +/-0.08	36.2

All dimensions in mm



te.com/txr-swept-elbow-backshells

© 2021 TE Connectivity. All Rights Reserved.

2390915-1 05/21

AMP, AGASTAT, CII, DEUTSCH, DRI, HARTMAN, KILOVAC, MICRODOT, NANONICS, POLAMCO, Raychem, Rochester, SEACON, TE, TE Connectivity and the TE connectivity (logo) are trademarks owned or licensed by TE Connectivity.

Other products, logos, and company names mentioned herein may be trademarks of their respective owners.

While TE Connectivity (TE) has made every reasonable effort to ensure the accuracy of the information herein, nothing herein constitutes any guarantee that such information is error-free, or any other representation, warranty or guarantee that the information is accurate, correct, reliable or current. The TE entity issuing this publication reserves the right to make any adjustments to the information contained herein at any time without notice. All implied warranties regarding the information contained herein, including, but not limited to, any implied warranties of merchantability or fitness for a particular purpose are expressly disclaimed. The dimensions herein are for reference purposes only and are subject to change without notice. Specifications are subject to change without notice.

Consult TE for the latest dimensions and design specifications.

North America +1 800 522 6752 • Asia Pacific +86 0 400 820 6015 • France +33 1 34 20 86 86 • Germany +49 6251 133 1999 • United Kingdom +44 800 267 666
Visit te.com for additional country contacts.