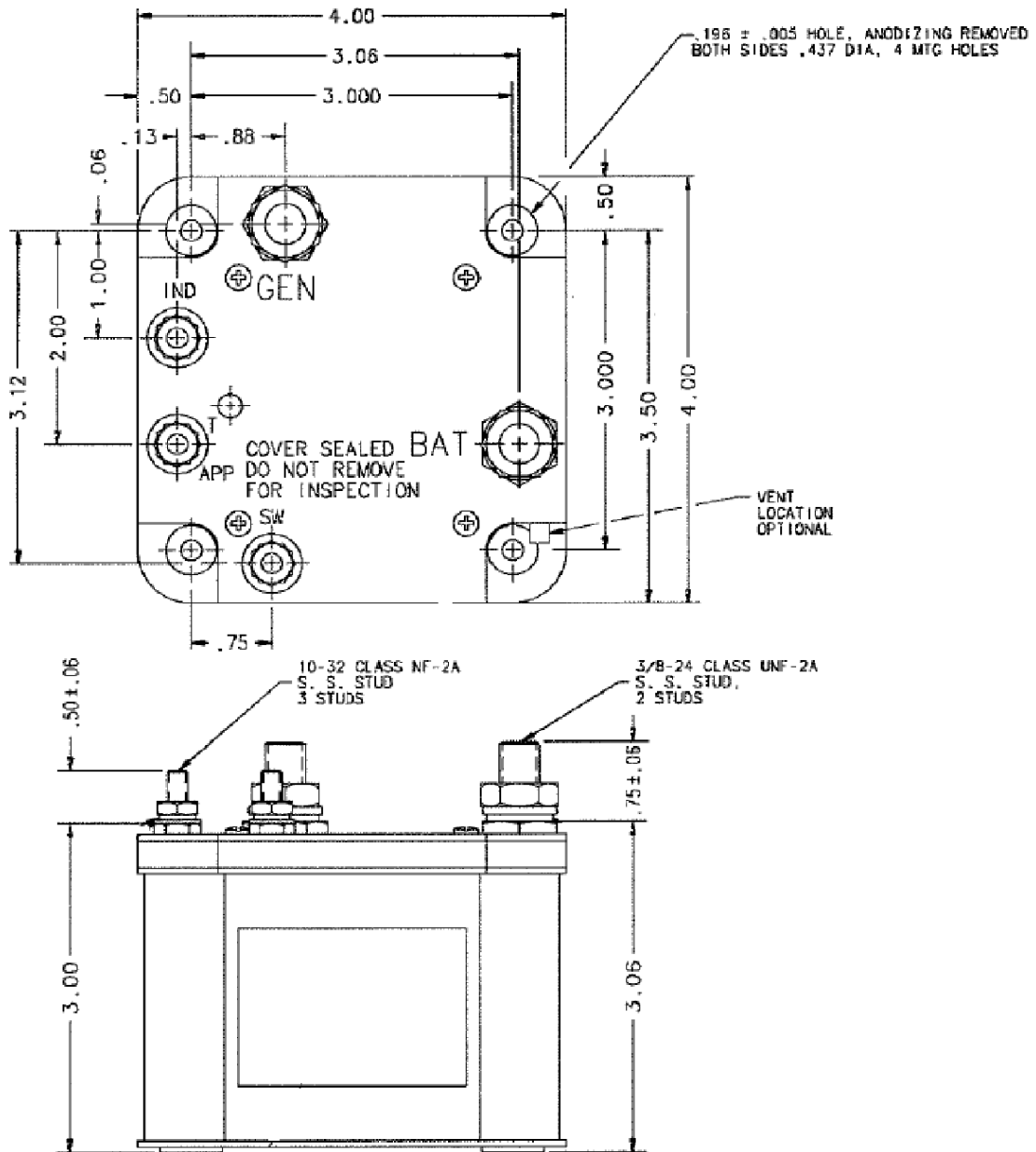


REVISIONS

REV.	ECO	DESCRIPTION	DATE	APPROVED
U	0739-03	ADDED "LOCATION OPTIONAL" TO VENT CALLOUT	23AUG2003	CC

A-718AP
CUT OUT
REVERSE CURRENT



ALL DIMENSIONS ARE IN INCHES



TE CONNECTIVITY
175 N, DIAMOND STREET MANSFIELD,
OHIO 44902

TITLE

CUTOUT
REVERSE CURRENT

TE P.N.

2-1616109-0

DWG NO.

A-718AP

DS DATA SHEET

CAGE CODE
74063

SCALE
NONE

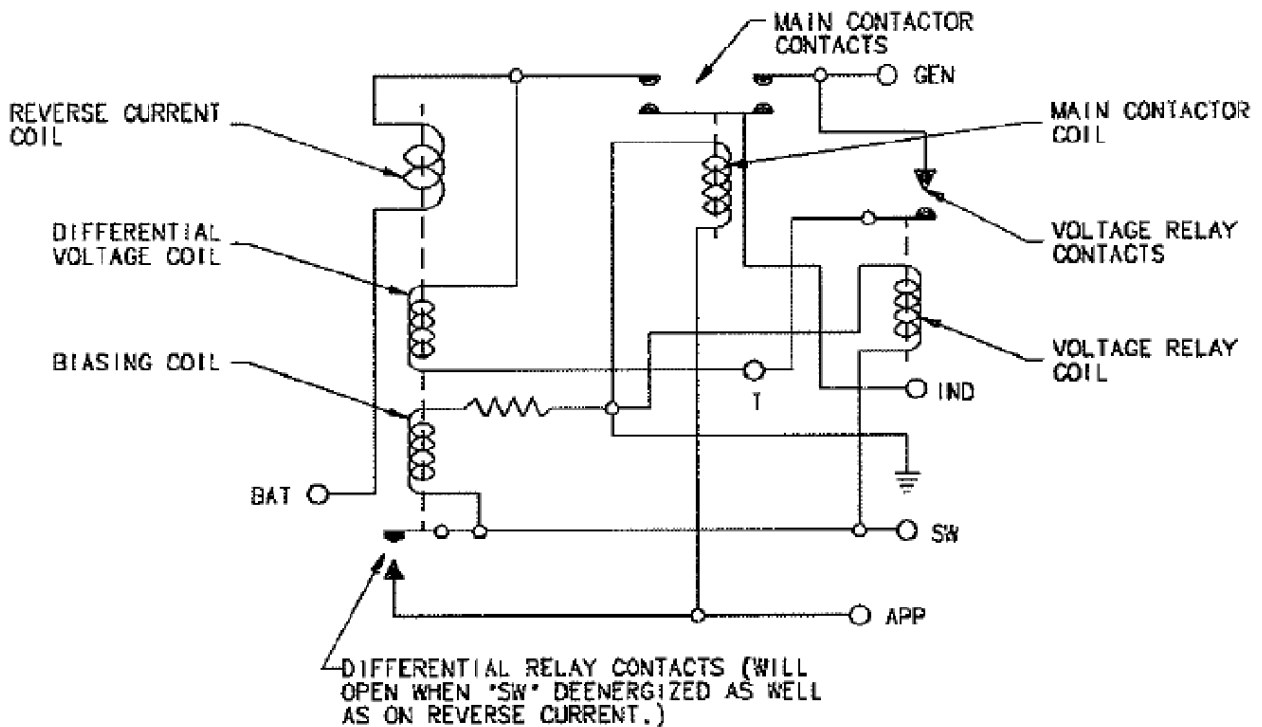
SHEET
1 OF 2

REV
U

GENERAL SPECIFICATION

NOMINAL VOLTAGE	29 V.D.C
CURRENT RATING	100 AMPERE
REVERSE CURRENT DROPOUT	4 - 10 AMPERE
DIFFERENTIAL VOLTAGE PICKUP	.5 ± .15 VDC
MAXIMUM WEIGHT	2.9 LBS.

SCHEMATIC



TE CONNECTIVITY
175 N. DIAMOND STREET MANSFIELD,
OHIO 44902

TITLE

CUTOUT
REVERSE CURRENT

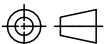
TE P.N.

2-1616109-0

DWG NO.

A-718AP

THIRD ANGLE PROJECTION



THIS DRAWING PREPARED
IN ACCORDANCE WITH
ANSI/ASMEY14.5M-1982

CAGE CODE

74063

SCALE

NONE

SHEET

2 OF 2

REV

U