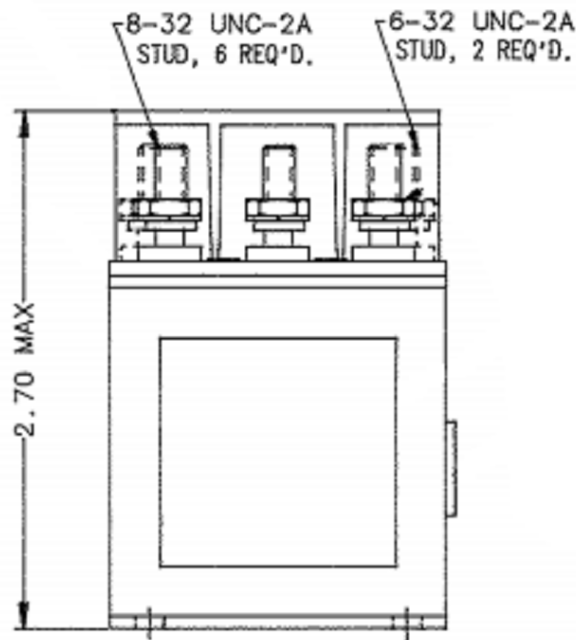
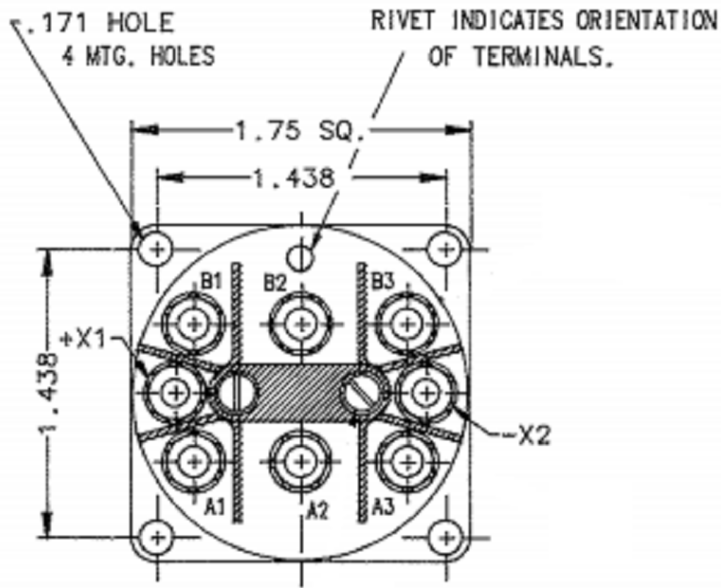


REVISIONS

REV.	ECO	DESCRIPTION	DATE	APPROVED
K	26163	ITEM 16 ADDED, BALLOONS RELOCATED	22JUN1994	RS

D-14DB
RELAY-2PDT, SIDESTABLE



ALL DIMENSIONS ARE IN INCHES



TE CONNECTIVITY
175 N. DIAMOND STREET MANSFIELD,
OHIO 44902

TITLE

RELAY-2PDT

TE P.N.

1616087-3

DWG NO.

D-14DB RELAY

DS DATA SHEET

CAGE CODE
74063

SCALE
NONE

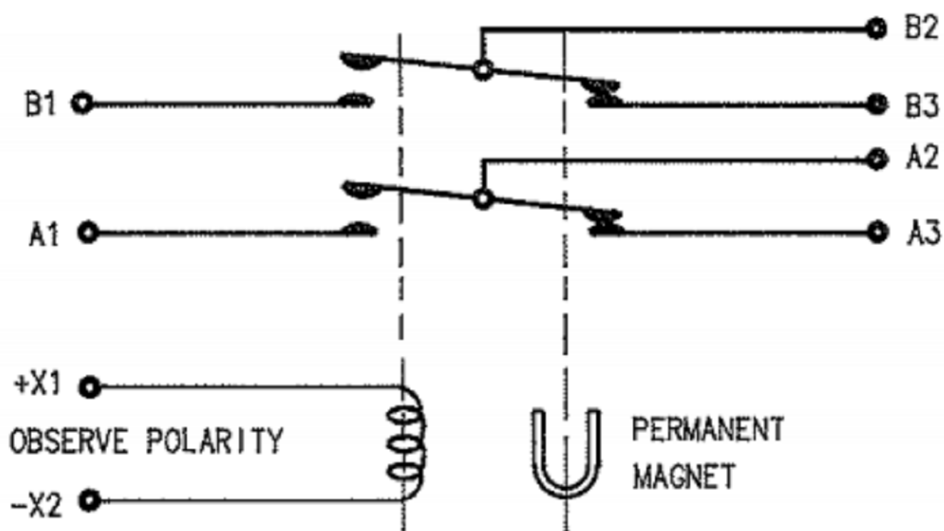
SHEET
1 OF 2

REV
D

GENERAL SPECIFICATION

CONSTRUCTION	METALIC BASE SOLDER SEALED
MAIN CONTACTS	
CONFIGURATION	2 PDT SIDESTABLE
VOLTAGE (NOM.)	115 OR 26 VAC 400 HZ
CURRENT (RES.)	25 AMP
COIL DATA	
DUTY CYCLE	CONTINUOUS
NOM. COIL VOLTAGE	28 VDC
PICKUP MAX.	18 VDC MAX. HOT
DROPOUT VOLTAGE	7 VDC MAX
ENVIRONMENTAL DATA	
AMBIENT TEMP.	-55°C TO +71°C
LIFE ELECTRICAL	50,000 CYCLES MIN.
LIFE MECHANICAL	100,000 CYCLES MIN.
WEIGHT MAX	8 OZ.
ALTITUDE	40,000 FT.

SCHEMATIC



TE CONNECTIVITY
175 N. DIAMOND STREET MANSFIELD,
OHIO 44902

TITLE

RELAY-2PDT

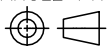
TE P.N.

1616087-3

DWG NO.

D-14DB RELAY

THIRD ANGLE PROJECTION



THIS DRAWING PREPARED
IN ACCORDANCE WITH
ANSI/ASMEY14.5M-1982

CAGE CODE

74063

SCALE

NONE

SHEET

2 OF 2

REV

D