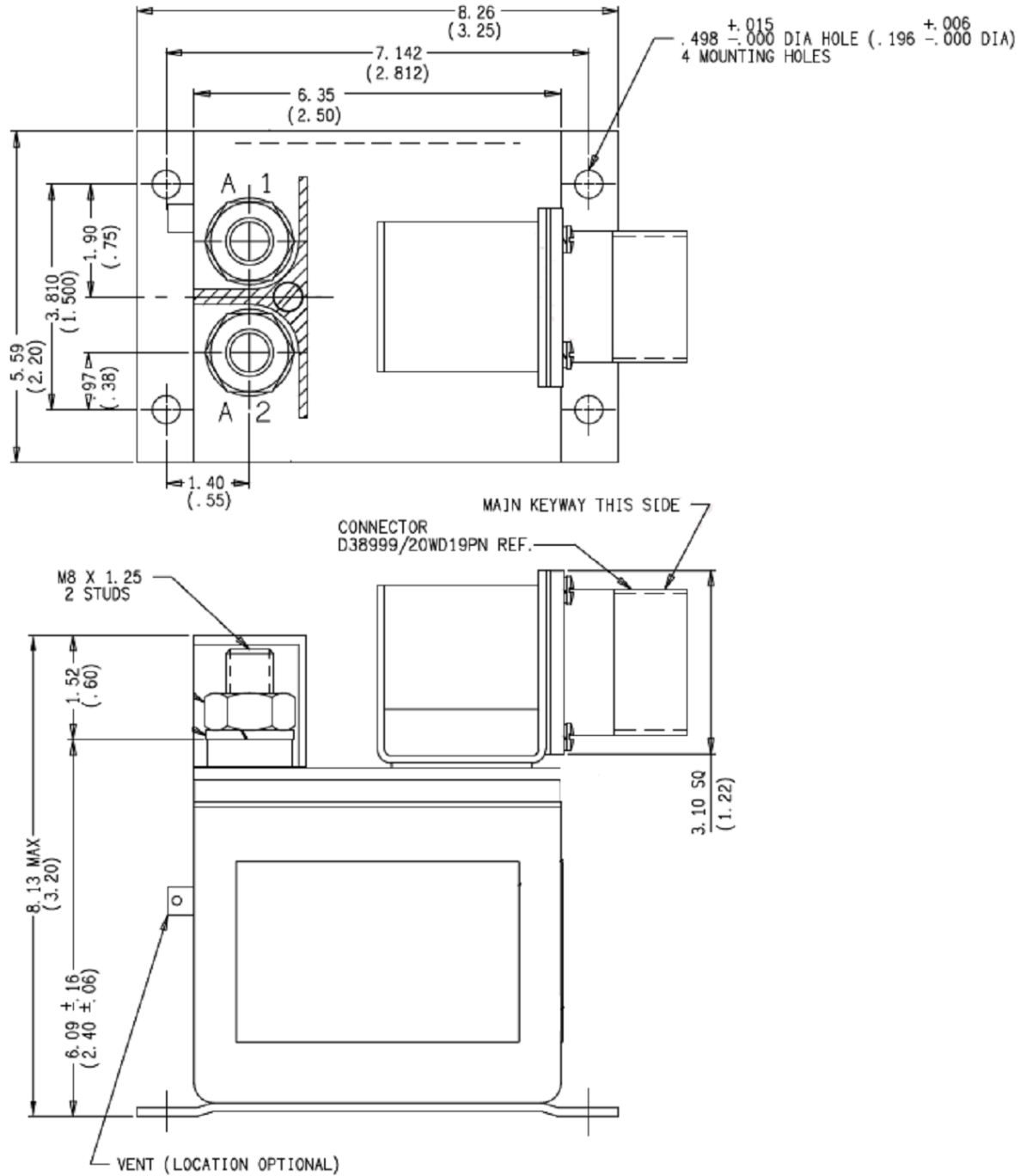


REVISIONS

REV.	ECO	DESCRIPTION	DATE	APPROVED
D	10-013410	WEIGHT WAS 460 GRAMS (1.01LB)	18MAY2010	CB

NN-448B-2  
CONTACTOR-SPST, 200 AMP, 28 VDC  
WITH AUXILIARY CONTACT (4PDT)



ALL DIMENSIONS ARE IN INCHES



TE CONNECTIVITY  
175 N, DIAMOND STREET MANSFIELD,  
OHIO 44902

TITLE  
CONTACTOR-SPST  
200 AMP, 28 VDC

TE P.N.  
1616073-4

DWG NO.  
NN-448B-2

DS DATA SHEET

CAGE CODE  
74063

SCALE  
NONE

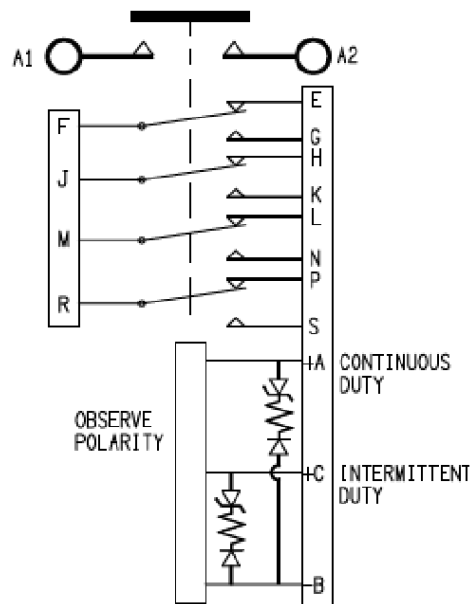
SHEET  
1 OF 2

REV  
D

# GENERAL SPECIFICATION

CONSTRUCTION MODE	GASKET SEALED (VENTED) SIDESTABLE	
MAIN CONTACTS	SPST NO (DOUBLE BREAK)	
CONFIGURATION	28 VDC	
VOLTAGE (NOMINAL)		
CURRENT: RESISTIVE	200 AMP	
INDUCTIVE	200 AMP	
RUPTURE	2000 AMP	
OPERATE TIME:		
CLOSING	30 MS MAX AT 28 VDC AT 25° C	
OPENING	30 MS MAX AT 25° C	
BOUNCE	3 MS MAX	
AUXILIARY CONTACTS	4 PDT	
CONFIGURATION	28 VDC	
VOLTAGE	3 AMP	
CURRENT: RESISTIVE	3 AMP	
INDUCTIVE	3 AMP	
LAMP	2 AMP	
COIL DATA (DUAL RATING)		
DUTY CYCLE	CONTINUOUS	INTERMITTENT (1 MIN MAX)
CONNECTOR PINS	+A, -B	+C, -B
MIN OPERATE VOLTAGE	18 VDC AT 70° C	10 VDC AT 70° C
NOM OPERATE VOLTAGE	28 VDC	28 VDC
DROPOUT VOLTAGE	2-7 VOLTS	1-5 VOLTS
COIL CURRENT AT 25° C	.50 AMP MAX	1.5 AMP MAX
ENVIRONMENTAL DATA		
OPERATE TEMP	-40° C TO 70° C	
ACCELERATION	5 G'S	
ALTITUDE	15,000 FEET MAX	
LIFE		
ELECTRICAL	50,000 CYCLES MIN	
MECHANICAL	100,000 CYCLES MIN	
WEIGHT MAX	470 GRAMS (1.03 LB)	

## SCHEMATIC



TE CONNECTIVITY  
175 N, DIAMOND STREET MANSFIELD,  
OHIO 44902

TITLE  
CONTACTOR-SPST  
200 AMP, 28 VDC

TE P.N.  
1616073-4

DWG NO.  
NN-448B-2

THIRD ANGLE PROJECTION

THIS DRAWING PREPARED  
IN ACCORDANCE WITH  
ANSI/ASMEY14.5M-1982

CAGE CODE  
74063

SCALE  
NONE

SHEET  
2 OF 2

REV  
D