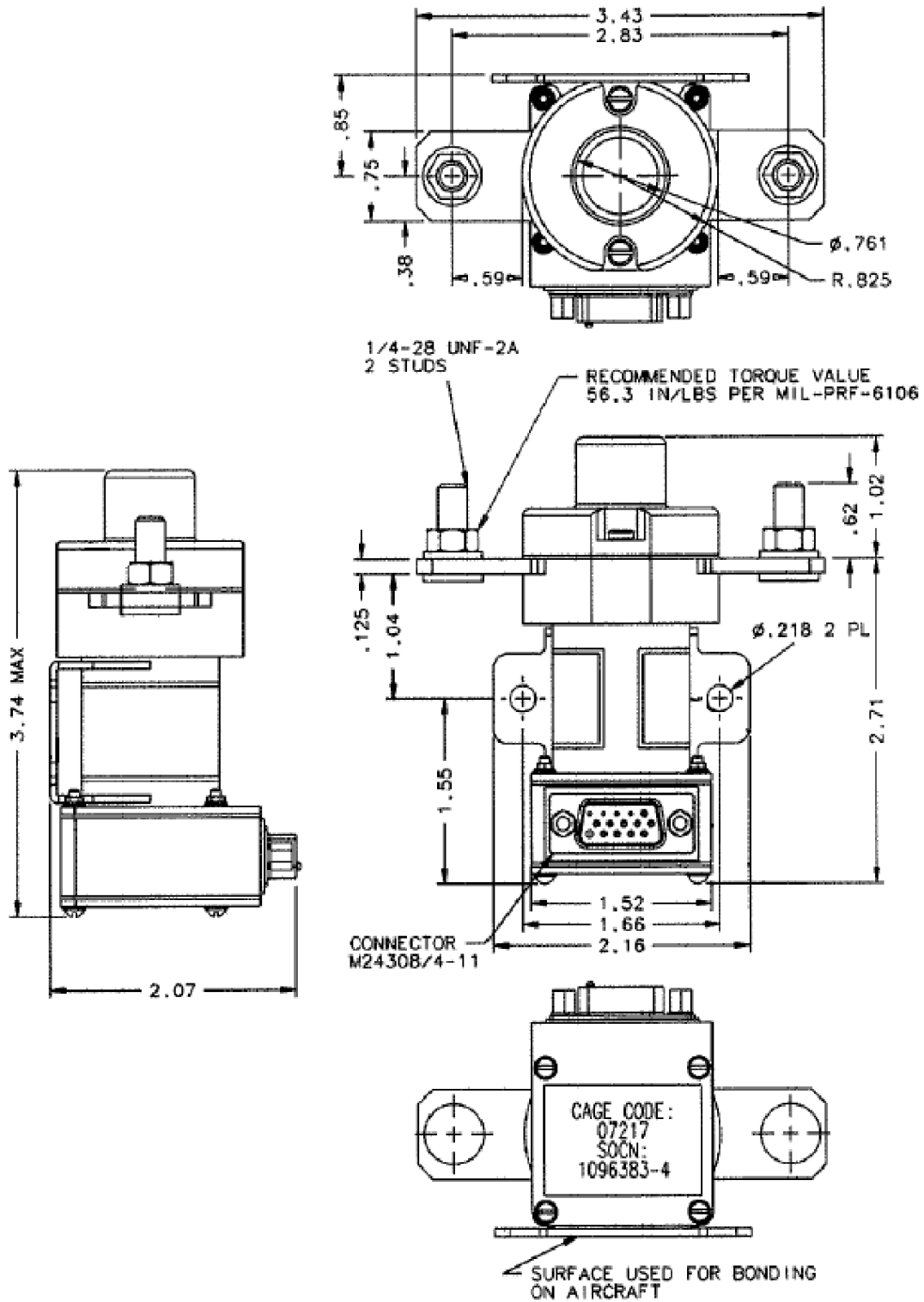


K-300A5C-6
 K300A5C6 CONTACTOR SPST
 N.O. DB 300 AMP, 28 VDC

REVISIONS

REV.	ECO	DESCRIPTION	DATE	APPROVED
C	0568-04	REMOVED ITEM 4	06JUL2004	CB



ALL DIMENSIONS ARE IN INCHES



TE CONNECTIVITY
 175 N. DIAMOND STREET MANSFIELD,
 OHIO 44902

TITLE

CONTACTOR SPST
 N.O. DB 300 AMP, 28 VDC

TE P.N.

1616068-4

DWG NO.

K-300A5C-6

DS DATA SHEET

CAGE CODE
 74063

SCALE
 NONE

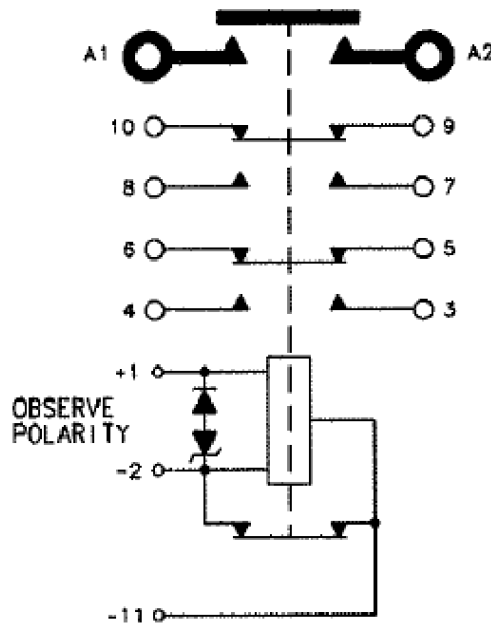
SHEET
 1 OF 2

REV
 C

GENERAL SPECIFICATION

CONSTRUCTION	GASKET SEALED
MAIN CONTACTS	
CONFIGURATION	SPST N.O. (DOUBLE BREAK)
VOLTAGE	28 VDC
CURRENT	
RESISTIVE	300 AMPS
OVERLOAD	450 AMPS FOR 5 MIN. 1000 AMPS FOR 10 SEC.
INRUSH	1500 AMPS
RUPTURE	3000 AMPS
AUXILIARY CONTACTS	
CONFIGURATION	2 N.O., 2 N.C.
VOLTAGE	28 VDC
CURRENT	
RESISTIVE	5 AMPS
INDUCTIVE	2 AMPS
LAMP	1 AMP
LOW LEVEL	1 mA AT 28 VDC
COIL DATA	
DUTY CYCLE	CONTINUOUS (ECONOMIZED)
MAX OPERATE VOLTAGE	32 VDC
NOM OPERATE VOLTAGE	28 VDC
MAX PICKUP VOLTAGE	13 VDC AT 20°C (FIRST APPLICATION) 16 VDC AT 85°C
DROPOUT VOLTAGE	9 VDC MAX
COIL CURRENT	
INRUSH	8 AMP MAX AT 32 VDC AND -40°C
HOLD	650 mA MAX AT 32 VDC AND 25°C
OPERATE TIME	35 mSEC MAX AT 18 TO 32 VDC
RELEASE TIME	20 mSEC MAX AT 28 VDC
BOUNCE TIME	5 mSEC MAX AT 18 TO 32 VDC
ENVIRONMENTAL DATA	
TEMPERATURE	-55°C TO 85°C
ALTITUDE	50,000 FEET
LIFE ELECTRICAL	50,000 CYCLES MIN.
LIFE MECHANICAL	100,000 CYCLES MIN.
WEIGHT MAX EST.	.77 LBS.

SCHEMATIC



TE CONNECTIVITY
175 N. DIAMOND STREET MANSFIELD,
OHIO 44902

TITLE

CONTACTOR SPST
N.O. DB 300 AMP, 28 VDC

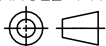
TE P.N.

1616068-4

DWG NO.

K-300A5C-6

THIRD ANGLE PROJECTION



THIS DRAWING PREPARED
IN ACCORDANCE WITH
ANSI/ASMEY14.5M-1982

CAGE CODE

74063

SCALE

NONE

SHEET

2 OF 2

REV

C