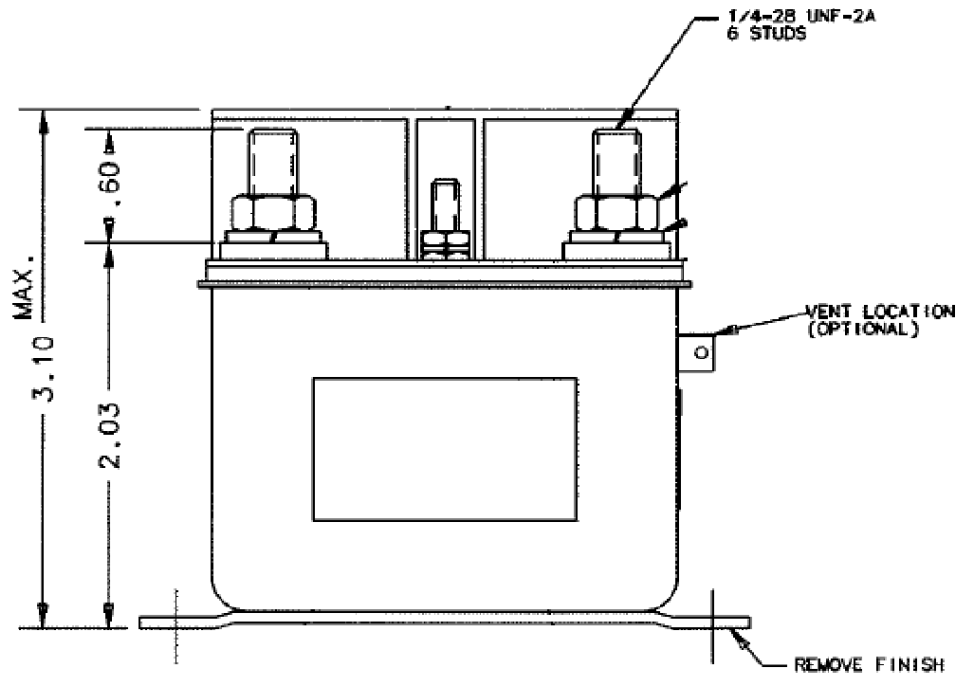
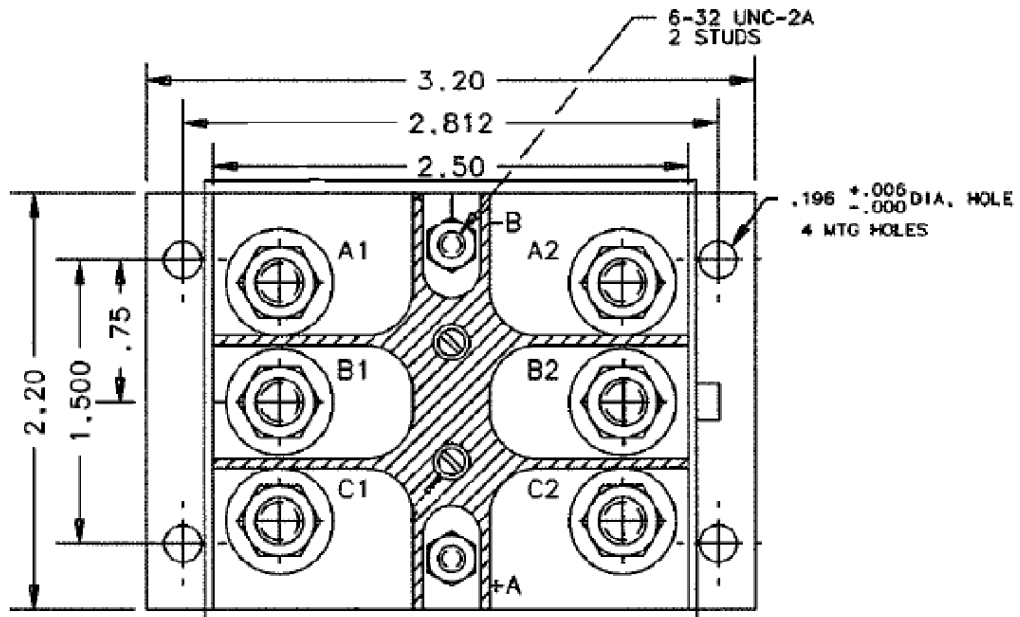


REVISIONS

REV.	ECO	DESCRIPTION	DATE	APPROVED
H	0255-03	RELOCATED ITEMS 3 & 15	07MAR2003	CC

D-100A  
CONTACTOR-3PST 120A



ALL DIMENSIONS ARE IN INCHES



TE CONNECTIVITY  
175 N, DIAMOND STREET MANSFIELD,  
OHIO 44902

TITLE

CONTACTOR-3PST, 120A

TE P.N.

1616014-1

DWG NO.

D-100A

DS DATA SHEET

CAGE CODE  
74063

SCALE  
NONE

SHEET  
1 OF 2

REV  
H

GENERAL SPECIFICATION

**CONSTRUCTION  
MODE**

**GASKET SEALED  
SIDESTABLE**

**CONTACTS**

**3PST  
115/200 VOLTS 400 HZ  
120 AMPS  
150 AMPS FOR 1 HOUR  
1000 AMPS**

**MAIN**

**VOLTAGE**

**CURRENT RES.**

**OVERLOAD**

**RUPTURE**

**COIL DATA**

**DUTY CYCLE**

**CONTINUOUS**

**MAX. HOLD CURRENT**

**.35 AMP**

**MAX. OPERATING VOLTAGE**

**32 VDC**

**MIN. OPERATING VOLTAGE**

**18 VDC AT 71°C**

**DROPOUT VOLTAGE**

**1 - 7 VDC**

**OPERATE TIME AT 28 VDC, 25°C**

**35 MS MAX**

**RELEASE TIME AT 28 VDC, 25°C**

**35 MS MAX**

**LIFE ELECTRICAL**

**50,000 CYCLES MIN.**

**LIFE MECHANICAL**

**100,000 CYCLES MIN.**

**VIBRATION/10G**

**75 - 2000 HZ**

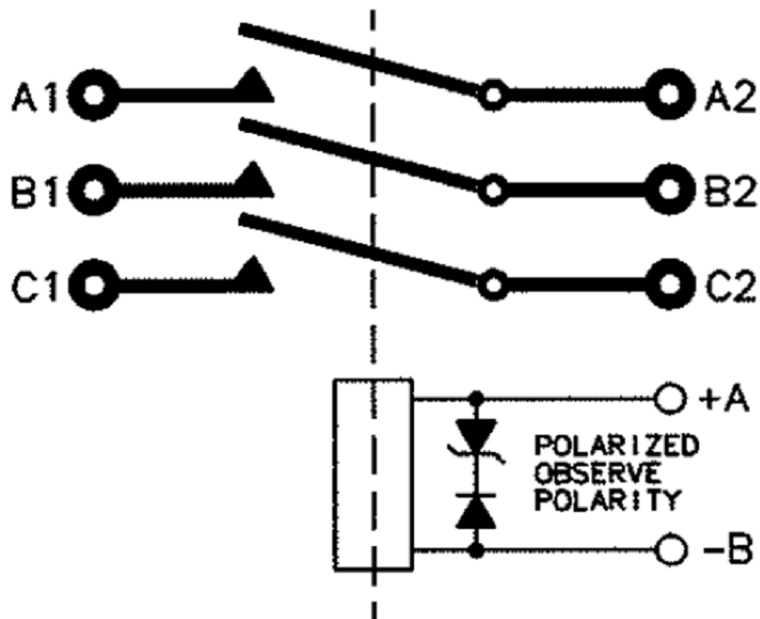
**WEIGHT (MAX)**

**14.5 OZ.**

**TEMPERATURE RANGE**

**-55°C TO +71°C**

SCHEMATIC



TE CONNECTIVITY  
175 N. DIAMOND STREET MANSFIELD,  
OHIO 44902

TITLE

CONTACTOR-3PST, 120A

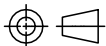
TE P.N.

1616014-1

DWG NO.

D-100A

THIRD ANGLE PROJECTION



THIS DRAWING PREPARED  
IN ACCORDANCE WITH  
ANSI/ASMEY14.5M-1982

CAGE CODE

74063

SCALE

NONE

SHEET

2 OF 2

REV

H