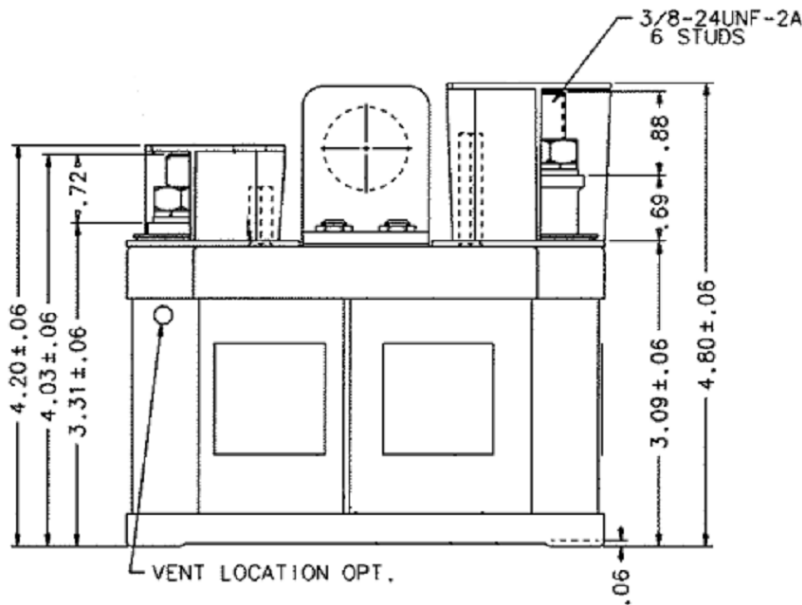
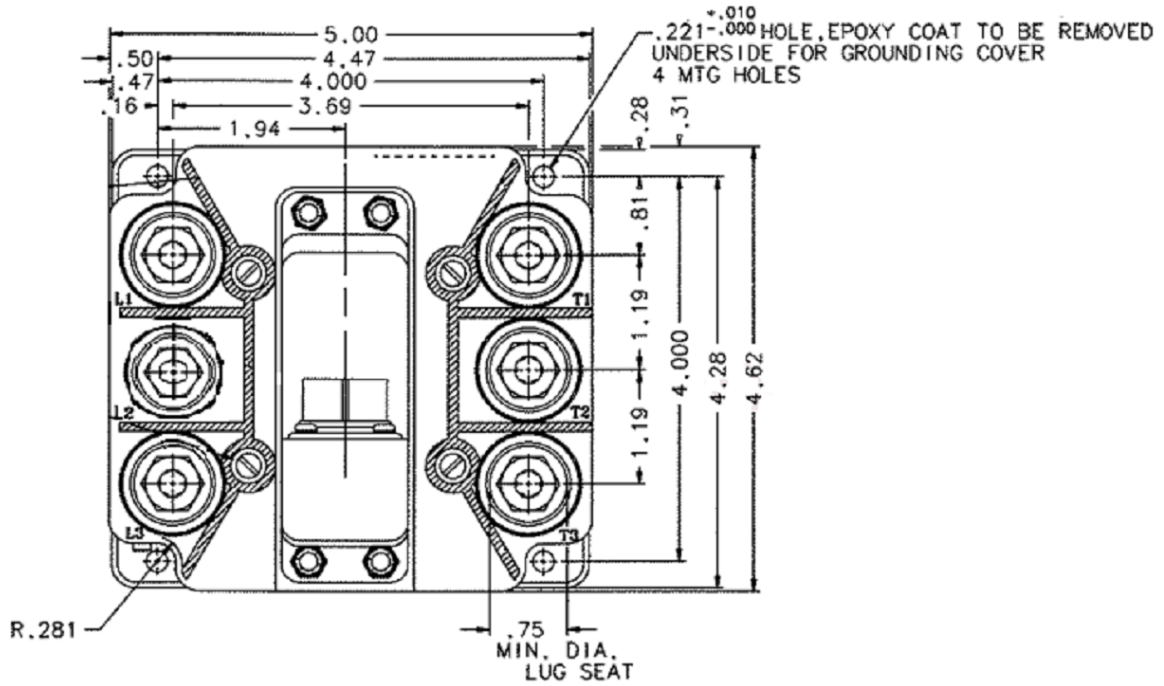


REVISIONS

REV.	ECO NO.	DESCRIPTION	DATE	APPROVED
W	43658	FIND NO. 6 WAS 14566-005	07DEC2000	CC

BR125BC RELAY  
 CONTACTOR-AC POWER  
 250 AMP, 3PST N.O. DOUBLE BREAK



ALL DIMENSIONS ARE IN INCHES



TE CONNECTIVITY  
 175 N, DIAMOND STREET MANSFIELD,  
 OHIO 44902

TITLE

BR125BC RELAY

TE P.N.

1616010-1

DWG NO.

BR125BC

DS DATA SHEET

CAGE CODE  
 74063

SCALE  
 NONE

SHEET  
 1 OF 2

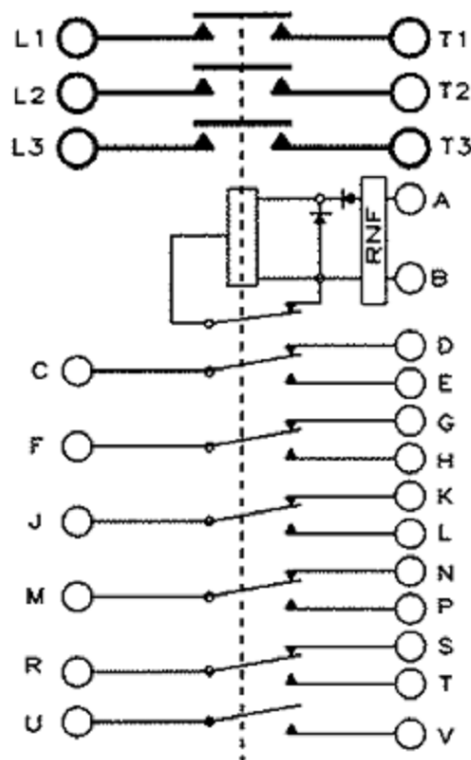
REV  
 D

# GENERAL SPECIFICATION

<p>CONSTRUCTION MAIN CONTACTS</p> <p>CONFIGURATION VOLTAGE (NOMINAL) CURRENT: RES. IND. MOTOR RUPTURE OVER LOAD</p> <p>AUXILIARY CONTACTS CONFIGURATION VOLTAGE (NOMINAL) CURRENT RES.</p> <p>COIL DATA DUTY CYCLE NOM. COIL VOLTAGE PICKUP MAX. DROPOUT VOLTAGE PICKUP TIME (MAX.) RELEASE TIME (MAX.) INRUSH CURRENT(MAX.) MAX. WEIGHT</p>	<p>METALLIC BASE GASKET SEALED (VENTED)</p> <p>3 PST N.O. DOUBLE BREAK 208 VAC 400 HZ. 250 AMP 250 AMP 125 AMP 1800 AMP 1425 AMP</p> <p>1-SPST N.O., 5-SPDT 28 VDC 115/208 VAC 400 HZ 10 AMP LIMITED TO 7-1/2 AMP CON.</p> <p>CONTINUOUS ECONOMIZING 115 VAC 400HZ 90 VAC 35 ±20 VAC 40 MS • 25°C 125 MS • 25°C 1.3 AMPS • 25°C 5 LBS. 4 OZ.</p>
--	--

NOTE:  
1. TERMINAL SHIELDS TO BE STAMPED:  
**"DANGER-HIGH VOLTAGE"**

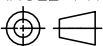
## SCHEMATIC



TE CONNECTIVITY  
175 N. DIAMOND STREET MANSFIELD,  
OHIO 44902

TITLE <b>BR125BC RELAY</b>			
TE P.N. 1616010-1	DWG NO. BR125BC		
CAGE CODE 74063	SCALE NONE	SHEET 2 OF 2	REV D

THIRD ANGLE PROJECTION



THIS DRAWING PREPARED  
IN ACCORDANCE WITH  
ANSI/ASMEY14.5M-1982