

1-968718-1 ✓ ACTIVE



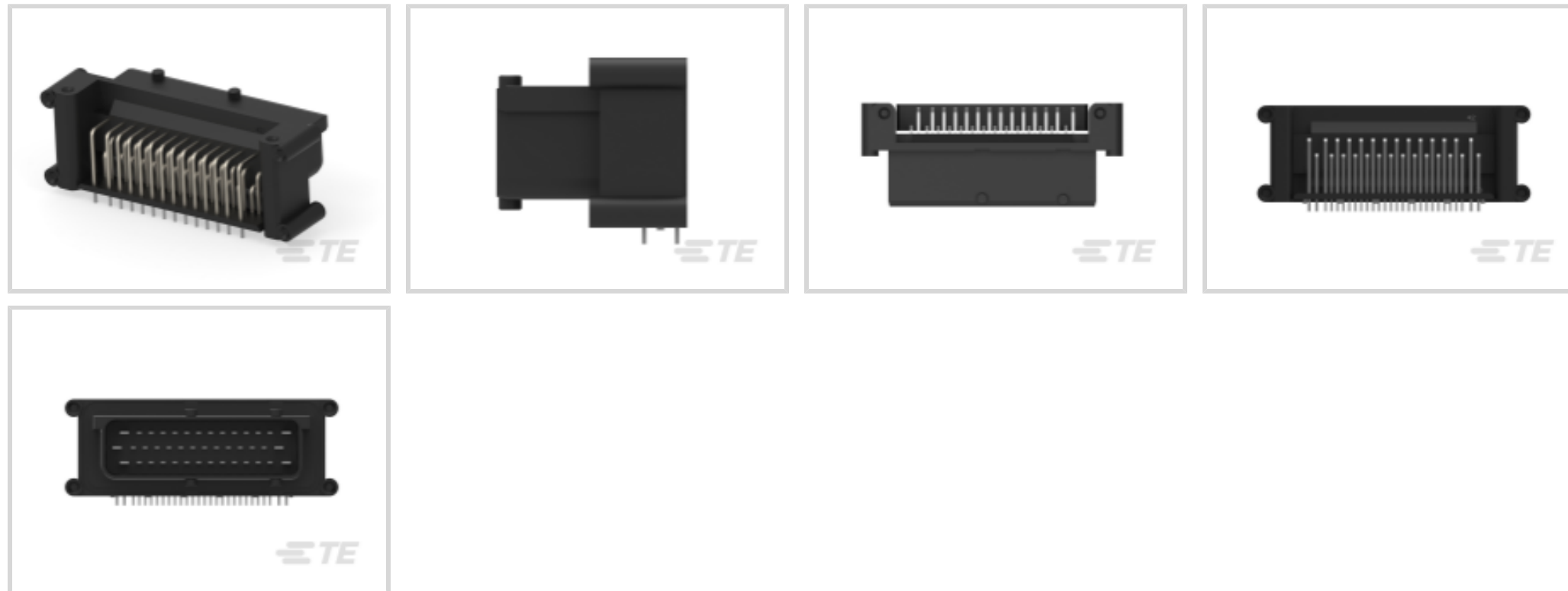
## Timer Connector System

TE Internal #: 1-968718-1

PCB Mount Header, Horizontal, Wire-to-Board, 42 Position, 1 mm [.039 in] Centerline, Fully Shrouded, Silver, Timer Connector System

[View on TE.com >](#)

Connectors > PCB Connectors > PCB Headers & Receptacles > Low & Medium Power Header



Connector System: **Wire-to-Board**

Number of Positions: **42**

Centerline (Pitch): **1 mm [ .039 in ]**

Sealable: **Yes**

PCB Mount Orientation: **Horizontal**

[All Low & Medium Power Header \(143\)](#)

## Features

### Product Type Features

Mixed & Hybrid Header	Yes
Connector Shape	Rectangular
PCB Connector Assembly Type	PCB Mount Header
Header Type	Fully Shrouded
Connector System	Wire-to-Board
Sealable	Yes
Connector & Contact Terminates To	Printed Circuit Board

### Configuration Features

Number of Sections	1
Number of Positions	42
PCB Mount Orientation	Horizontal
Number of Rows	3

### Electrical Characteristics



Nominal Voltage Architecture	12 V
------------------------------	------

### Body Features

Primary Product Color	Black
-----------------------	-------

Connector & Keying Code	A1
-------------------------	----

### Contact Features

Contact Size	1.6mm, 3mm
--------------	------------

Contact Type	Tab
--------------	-----

Mating Tab Width	1.6 mm, 3 mm [.063 in][.118 in]
------------------	---------------------------------

Mating Tab Thickness	.6 mm, .8 mm [.024 in][.031 in]
----------------------	---------------------------------

Contact Mating Area Plating Material	Silver
--------------------------------------	--------

### Termination Features

Termination Method to Printed Circuit Board	Through Hole - Solder
---	-----------------------

### Mechanical Attachment

Mounting Holes	Without
----------------	---------

Mating Retention	With
------------------	------

Mating Alignment	With
------------------	------

PCB Mount Alignment	With
---------------------	------

Panel Mount Feature	Without
---------------------	---------

PCB Mount Retention	Without
---------------------	---------

PCB Mount Retention Type	Solder Tail
--------------------------	-------------

Mating Retention Type	Locking Interface
-----------------------	-------------------

### Housing Features

Centerline (Pitch)	1 mm [.039 in]
--------------------	----------------

### Dimensions

Connector Length	92 mm [3.622 in]
------------------	------------------

Profile Height from PCB	32.5 mm [1.28 in]
-------------------------	-------------------

### Usage Conditions

Operating Temperature (Max)	65 °C, 70 °C, 75 °C, 80 °C, 85 °C [149 °F][158 °F][167 °F][176 °F][185 °F]
-----------------------------	--

Operating Temperature Range	-40 – 85 °C [-40 – 185 °F]
-----------------------------	----------------------------

### Operation/Application

Shielded	No
----------	----



Circuit Application

Signal

### Industry Standards

UL Flammability Rating

None

### Packaging Features

Packaging Type

Tray

Packaging Quantity

100

### Product Compliance

[For compliance documentation, visit the product page on TE.com>](#)

EU RoHS Directive 2011/65/EU

Compliant

EU ELV Directive 2000/53/EC

Compliant

China RoHS 2 Directive MIIT Order No 32, 2016

No Restricted Materials Above Threshold

EU REACH Regulation (EC) No. 1907/2006

Current ECHA Candidate List: JUNE 2023 (235)  
Candidate List Declared Against: JUNE 2023 (235)  
Does not contain REACH SVHC

Halogen Content

Low Halogen - Br, Cl, F, I < 900 ppm per homogenous material. Also BFR/CFR/PVC Free

Solder Process Capability

Not applicable for solder process capability

#### Product Compliance Disclaimer

This information is provided based on reasonable inquiry of our suppliers and represents our current actual knowledge based on the information they provided. This information is subject to change. The part numbers that TE has identified as EU RoHS compliant have a maximum concentration of 0.1% by weight in homogenous materials for lead, hexavalent chromium, mercury, PBB, PBDE, DBP, BBP, DEHP, DIBP, and 0.01% for cadmium, or qualify for an exemption to these limits as defined in the Annexes of Directive 2011/65/EU (RoHS2). Finished electrical and electronic equipment products will be CE marked as required by Directive 2011/65/EU. Components may not be CE marked. Additionally, the part numbers that TE has identified as EU ELV compliant have a maximum concentration of 0.1% by weight in homogenous materials for lead, hexavalent chromium, and mercury, and 0.01% for cadmium, or qualify for an exemption to these limits as defined in the Annexes of Directive 2000/53/EC (ELV). Regarding the REACH Regulation, the information TE provides on SVHC in articles for this part number is based on the latest European Chemicals Agency (ECHA) 'Guidance on requirements for substances in articles' posted at this URL: <https://echa.europa.eu/guidance-documents/guidance-on-reach>

### Compatible Parts

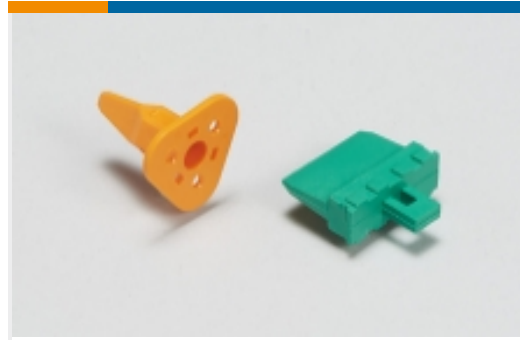


TE Part # 1-967281-1  
MICRO-T2/JPT GEH42P

## Also in the Series | Timer Connector System



Automotive Connector Caps & Covers (10)



Automotive Connector Locks & Position Assurance(15)



Automotive Housings(210)



Automotive Terminals(137)



Connector Seals & Cavity Plugs(31)



Crimp Terminal Housings(13)



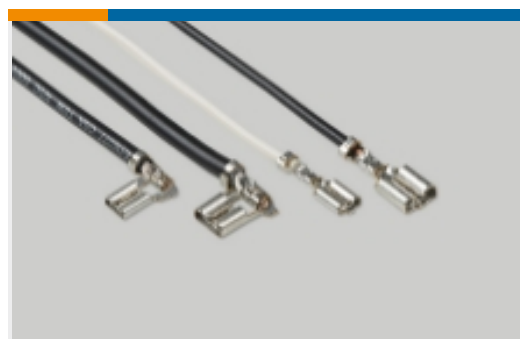
Insertion & Extraction Tools(18)



Other Automotive Connector Accessories(1)

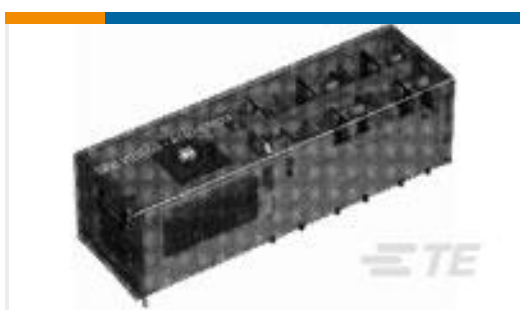


PCB Headers & Receptacles(77)



Quick Disconnects(4)

## Customers Also Bought



TE Part #1393260-7  
SR6B4024 - V23050-A1024-A542



TE Part #2-1761603-6  
IDC LOW PRO HDR 16P VERT BLUE



TE Part #2-1761603-9  
IDC LOW PRO HDR 26P VERT BLUE



TE Part #825440-7  
MOD 2 PINHDR 2X07P.



## Documents

### Product Drawings

#### MESSERLEISTE MIX42P

English

### CAD Files

#### 3D PDF

3D

#### Customer View Model

[ENG\\_CVM\\_CVM\\_1-968718-1\\_A.2d\\_dxf.zip](#)

English

#### Customer View Model

[ENG\\_CVM\\_CVM\\_1-968718-1\\_A.3d\\_igs.zip](#)

English

#### Customer View Model

[ENG\\_CVM\\_CVM\\_1-968718-1\\_A.3d\\_stp.zip](#)

English

By downloading the CAD file I accept and agree to the [Terms and Conditions](#) of use.