



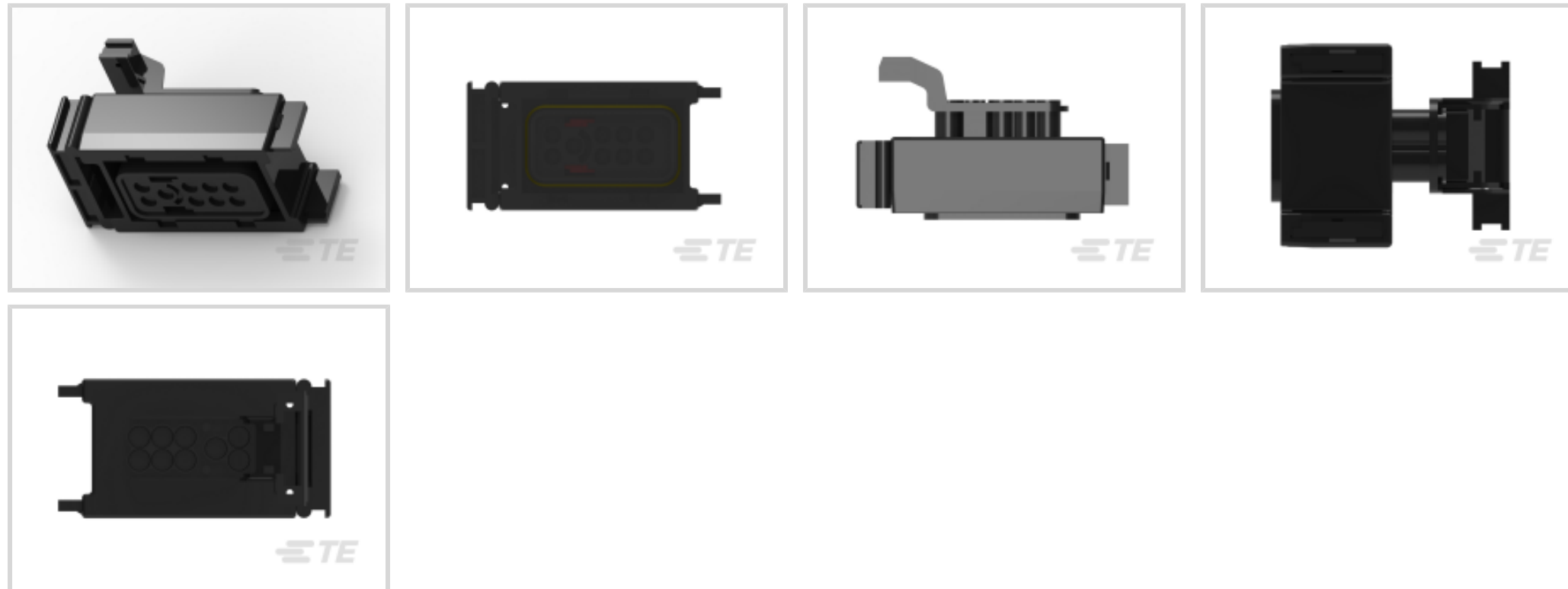
AMP | Round Connector System

TE Internal #: 1-967354-1

Housing for Female Terminals, Wire-to-Wire, 9 Position, .236 in / .314 in [8 mm / 6 mm] Centerline, Sealable, Black, Round Connector System

[View on TE.com >](#)

Connectors > Automotive Connectors > Automotive Housings



Connector System: **Wire-to-Wire**

Number of Positions: **9**

Connector & Housing Type: **Housing for Female Terminals**

Centerline (Pitch): **6 mm, 8 mm [.236 in, .314 in]**

Sealable: **Yes**

Features

Product Type Features

Mixed & Hybrid Connector	No
Connector Shape	Rectangular
Connector System	Wire-to-Wire
Connector & Housing Type	Housing for Female Terminals
Sealable	Yes
Connector & Contact Terminates To	Wire & Cable
Primary Locking Feature	On the Terminal

Configuration Features

Number of Positions	9
Number of Rows	2

Electrical Characteristics

Nominal Voltage Architecture	12 V, 24 V
------------------------------	------------

Body Features

Cable Exit Angle	180°
------------------	------



Primary Product Color	Black
Connector & Keying Code	Neutral

Contact Features

Contact Size	2.5mm
Contact Type	Socket
Mating Pin Diameter	2.5 mm[.098 in]
Contact Current Rating (Max)	40 A

Mechanical Attachment

Terminal Position Assurance	No
Strain Relief	Without
Mating Alignment Type	Guide Pin Slots
Mating Alignment	With
Connector Mounting Type	Cable Mount (Free-Hanging)

Housing Features

Housing Material	PA GF
Centerline (Pitch)	6 mm, 8 mm[.236 in][.314 in]

Dimensions

Connector Height	36 mm[1.41 in]
Product Width	30.5 mm[1.2 in]
Product Length	62.2 mm[2.44 in]

Usage Conditions

Operating Temperature (Max)	130 °C[266 °F]
Operating Temperature Range	-40 – 130 °C[-40 – 266 °F]

Operation/Application

Circuit Application	Power
---------------------	-------

Packaging Features

Packaging Quantity	168
Packaging Method	Carton

Other

Serviceable	No
Connector Position Assurance Capable	No



Product Compliance

[For compliance documentation, visit the product page on TE.com>](#)

EU RoHS Directive 2011/65/EU	Compliant
EU ELV Directive 2000/53/EC	Compliant
China RoHS 2 Directive MIIT Order No 32, 2016	No Restricted Materials Above Threshold
EU REACH Regulation (EC) No. 1907/2006	Current ECHA Candidate List: JUNE 2023 (235) Candidate List Declared Against: JUL 2021 (219) Does not contain REACH SVHC
Halogen Content	BFR/CFR/PVC Free, but Br/Cl >900 ppm in other sources.
Solder Process Capability	Not reviewed for solder process capability

Product Compliance Disclaimer

This information is provided based on reasonable inquiry of our suppliers and represents our current actual knowledge based on the information they provided. This information is subject to change. The part numbers that TE has identified as EU RoHS compliant have a maximum concentration of 0.1% by weight in homogenous materials for lead, hexavalent chromium, mercury, PBB, PBDE, DBP, BBP, DEHP, DIBP, and 0.01% for cadmium, or qualify for an exemption to these limits as defined in the Annexes of Directive 2011/65/EU (RoHS2). Finished electrical and electronic equipment products will be CE marked as required by Directive 2011/65/EU. Components may not be CE marked. Additionally, the part numbers that TE has identified as EU ELV compliant have a maximum concentration of 0.1% by weight in homogenous materials for lead, hexavalent chromium, and mercury, and 0.01% for cadmium, or qualify for an exemption to these limits as defined in the Annexes of Directive 2000/53/EC (ELV). Regarding the REACH Regulation, the information TE provides on SVHC in articles for this part number is based on the latest European Chemicals Agency (ECHA) 'Guidance on requirements for substances in articles' posted at this URL: <https://echa.europa.eu/guidance-documents/guidance-on-reach>

Compatible Parts



TE Part # CAT-R7602-T273
ROUND CONNECTOR SYSTEM, PIN AND SOCKET



TE Part # 826713-1
SCHRAUBE 2,2X6,5

Also in the Series | Round Connector System



Automotive Connector Caps & Covers (3)



Automotive Housings(13)



Automotive Terminals(55)



Connector Seals & Cavity Plugs(3)

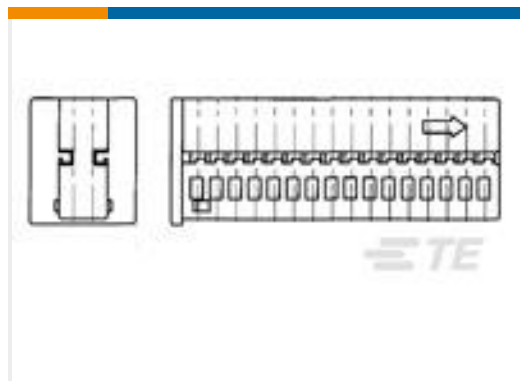


Insertion & Extraction Tools(8)

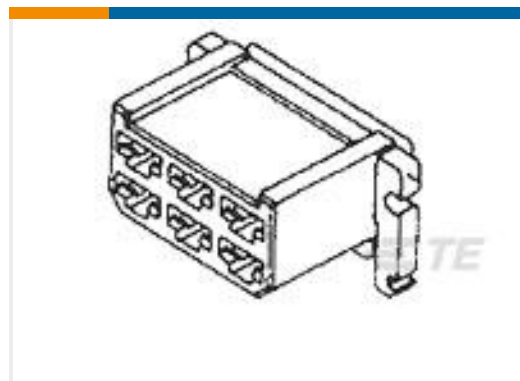
Customers Also Bought



TE Part #HDP26-24-19SN
DEUTSCH HDP20 Housings



TE Part #968265-1
32POS MQS REC



TE Part #180904
FF 250 REC HSG 6P NYLON NAT



TE Part #926897-1
UNIV.M-N-L.PIN



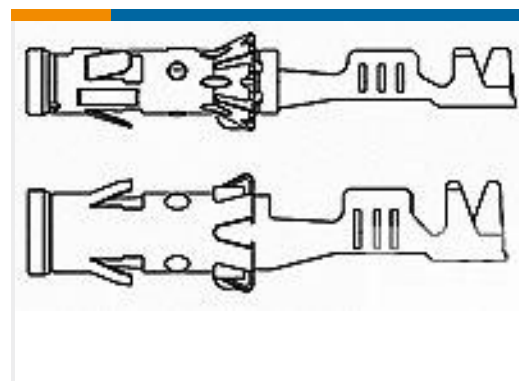
TE Part #794277-1
09P UMNL INTERFACE SEAL



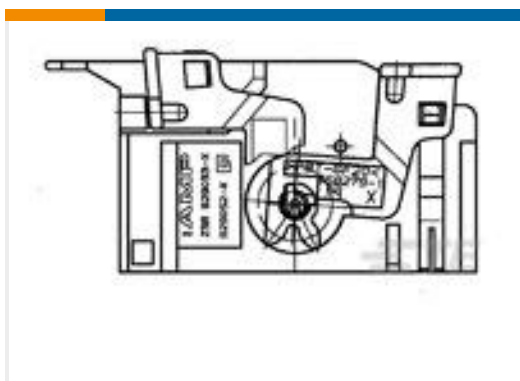
TE Part #926884-1
UNIV.M-N-L.SOCKET



TE Part #DRC26-50S03
PLG, 50P, BLK, N, 03



TE Part #929975-8
2,5MM SOCKET CONTACT SWS



TE Part #929053-1
MQS ABDEKA M.HEB32P

Documents



Product Drawings

2.5MM BU-GEH KPL 9P

English

CAD Files

Customer View Model

[ENG_CVM_1-967354-1_F2.3d_igs.zip](#)

English

Customer View Model

[ENG_CVM_1-967354-1_F2.3d_stp.zip](#)

English

Customer View Model

[ENG_CVM_1-967354-1_F2.2d_dxf.zip](#)

English

3D PDF

English

By downloading the CAD file I accept and agree to the [Terms and Conditions](#) of use.