

BUCHANAN WireMate CONNECTOR

Poke-In Series

TE Connectivity (TE)'s introduces the BUCHANAN WireMate connector poke-in series is a 4.0mm pitch modular connector for Wire-to-Board connectivity. The poke-in feature allows for easy and fast installation and its modular design enables a flexible solution. In addition, this connector comes in various color configurations making identification and assembly easy and efficient.



Applications

- Access controls
- LED Lighting
- Small appliances
- Thermostats

Electrical

- Current rating: 6A with 18 AWG / 5A with 20 AWG & 22 AWG
- Voltage rating: 400 VAC Max
- Dielectric strength: 1800 VAC

Mechanical

- Operating Temperature: -40°C- + 105°

Specifications

- Application Specification: [114-137055](#)
- Product Specification: [108-137055](#)
- UL Approval: UL1977
- IEC60838 comply with clause 15 of IEC 60598-1

Materials

- Contact: Copper Alloy with Tin plating

Benefits

- Modular Technology enables flexibility in design
- Easy and fast installation with poke-in contact feature
- Color configurations enables easy identification
- Compact size design for space saving

Colors

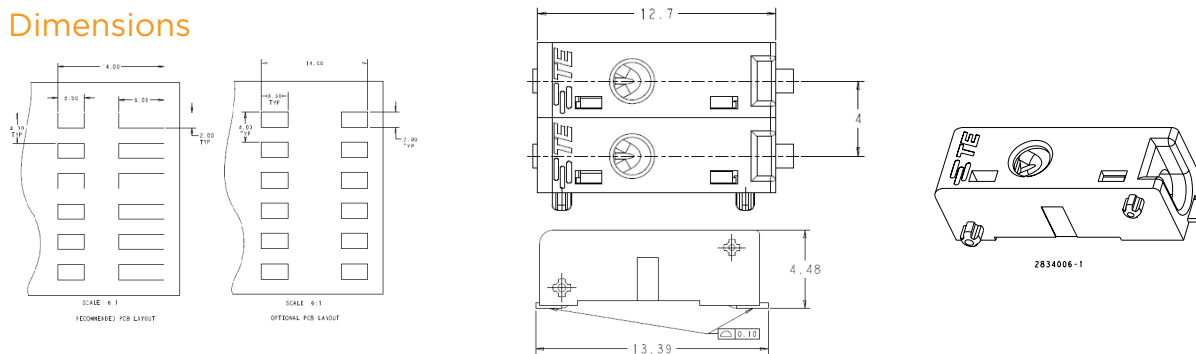
- Beige | Natural
- Black
- Blue
- Brown
- Gray
- Red
- White
- Yellow

Product Selection Information

	Number of Positions	Description	Color	TE PN
	1	1 Pole Modular Releasable Poke-In Connector	Black	2-2834006-1
	1	1 Pole Modular Releasable Poke-In Connector	Red	3-2834006-1
	2	2 Pole Modular Releasable Poke-In Connector	White / Red	5-2834006-2
	2	2 Pole Modular Releasable Poke-In Connector	Red / Black	7-2834006-2
	2	2 Pole Modular Releasable Poke-In Connector	Black / White	8-2834006-2
	3	3 Pole Modular Releasable Poke-In Connector	Black / White / Red	5-2834006-3
	2	2 Pole Modular Releasable Poke-In Connector	Gray / Blue	1-2834006-0
	2	2 Pole Modular Releasable Poke-In Connector	Brown / Yellow	2-2834006-0
	1	1 Pole Modular Releasable Poke-In Connector	Natural	2834006-1
	2	2 Pole Modular Releasable Poke-In Connector	Natural	2834006-2
	3	3 Pole Modular Releasable Poke-In Connector	Natural	2834006-3
	3	2 Pole Modular Releasable Poke-In Connector	Natural	1-2834006-2

Contact a TE Sales representative if you need other poles with various color configuration.

Dimensions



te.com

© 2017 TE Connectivity. All Rights Reserved. BUCHANAN, TE, TE Connectivity, and the TE connectivity (logo) are trademarks of the TE Connectivity Ltd. family of companies. Other logos, product and Company names mentioned herein may be trademarks of their respective owners. While TE has made every reasonable effort to ensure the accuracy of the information in this brochure, TE does not guarantee that it is error-free, nor does TE make any other representation, warranty or guarantee that the information is accurate, correct, reliable or current. TE reserves the right to make any adjustments to the information contained herein at any time without notice. TE expressly disclaims all implied warranties regarding the information contained herein, including, but not limited to, any implied warranties of merchantability or fitness for a particular purpose. The dimensions in this catalog are for reference purposes only and are subject to change without notice. Specifications are subject to change without notice. Consult TE for the latest dimensions and design specifications.
1-1773872-8 JN 6/2017

USA: +1 (800) 522-6752
Canada: +1 (905) 475-6222
Mexico: +52 (0) 55-1106-0800
Latin/S. America: +54 (0) 11-4733-2200
Germany: +49 (0) 6251-133-1999
UK: +44 (0) 800-267666
France: +33 (0) 1-3420-8686
The Netherlands: +31 (0) 73-6246-999
China: +86 (0) 400-820-6015