

# F-SPRING CONTACT FASTON TERMINAL

LOW INSERTION FORCE RECEPTACLE



F-spring contact FASTON terminal meets the highest quality and safety requirements for several applications in a wide variety of industries and markets.

## GENERAL CHARACTERISTICS

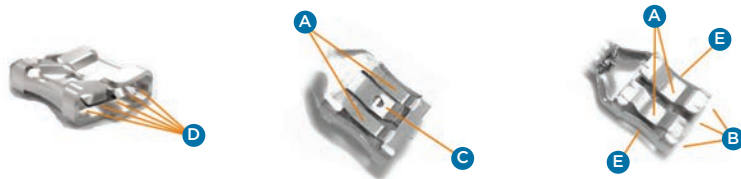
- For 6.35 x 0.8 mm tabs
- Low insertion force (1st insertion 35N max)
- Crimp technology
  - “F” crimp for straight versions
  - “C” crimp for flag versions
- Steel nickel plated material
- Leaf-spring design
- Easy handling, robust design
- Product specification 108-64027
- Application specification 114-64027

## APPLICATIONS

- High temperature applications
- Small appliances
- Electric motors
- Power tools & supplies
- Laundry & refrigeration
- Lift equipment and elevators
- Lighting
- Air conditioning

## MAIN FEATURES

- Minimum profile
- Profiled edge contact is eliminated
- Lower mating force





- A** Leaf-spring rolls
- B** Milled surface against tab
- C** Locking dimple on cantilevered surface
- D** Flared lead-in
- E** Tab guidance features

## ADVANTAGES

- High normal forces in the contact areas
- Very good wiping action during contact engagement
- Mechanically stable contacts in the mated position
- Long-life of interconnections
- Designed for ruggedness and durability
- Suitable for automation process
- Easy to insert, especially when the mating tabs are located in difficult to reach areas.

## PRODUCT OFFERING

Versions	TE P/N	Wire Range AWG / mm <sup>2</sup>	Insulation Dia. Range mm	OCEAN Applicator P/N
 Straight receptacle	2178438-1	24-20 / 0.2-0.5	1.4 - 2.1	2150337-1
	2178299-1	20-18 / 0.5-1.0	1.8-2.5	2150340-1
	2178300-1	18-14 / 1.0-2.5	3.0-4.3	2150339-1
	2178301-1	12-10 / 3.3-5.3	3.6-5.0	2150338-1
 Flag receptacle	2178423-1	20-16 / 0.5-1.5	1.9-3.3	2150335-2
	2178439-1	16-12 / 1.5-3.3	2.7-3.8	2150336-2

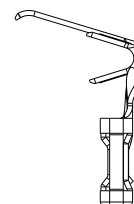
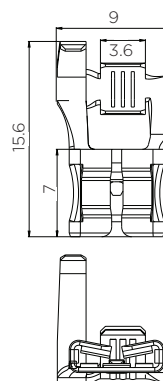
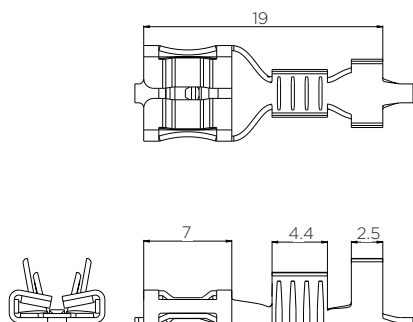
\*RoHS Ready

## DRAWING

Straight version

Dimensions [mm]  
for ref only

Flag version



## TE TECHNICAL SUPPORT CENTER

USA +1 (800) 522-6752  
 Canada +1 (905) 475-6222  
 Mexico +52 (0) 55-1106-0800  
 Latin/South America +54 (0) 11-4733-2200  
 China +86 (0) 400-820-6015

Germany +49 (0) 6251-133-1999  
 UK +44 (0) 800-267666  
 France +33 (0) 1-3420-8686  
 Netherlands +31 (0) 73-6246-999  
 For other country numbers, go to [te.com/support-center](http://te.com/support-center)

Visit [www.te.com/f-spring](http://www.te.com/f-spring)

TE, TE connectivity (logo) and FASTON are trademarks of the TE Connectivity Ltd. family of companies. Other logos, products and company names mentioned herein may be trademarks of their respective owners. While TE has made every reasonable effort to ensure the accuracy of the information in this flyer, TE does not guarantee that it is error-free, nor does TE make any other representation, warranty or guarantee that the information is accurate, correct, reliable or current. TE reserves the right to make any adjustments to the information contained herein at any time without notice. TE expressly disclaims all implied warranties regarding the information contained herein, including, but not limited to, any implied warranties of merchantability or fitness for a particular purpose. The dimensions in this flyer are for reference purposes only and are subject to change without notice. Specifications are subject to change without notice. Consult TE for the latest dimensions and design specifications.

[www.te.com](http://www.te.com)

© 2015 TE Connectivity Ltd. family of companies. All Rights Reserved.  
 1-1773854-4 APP CS 04/2015

