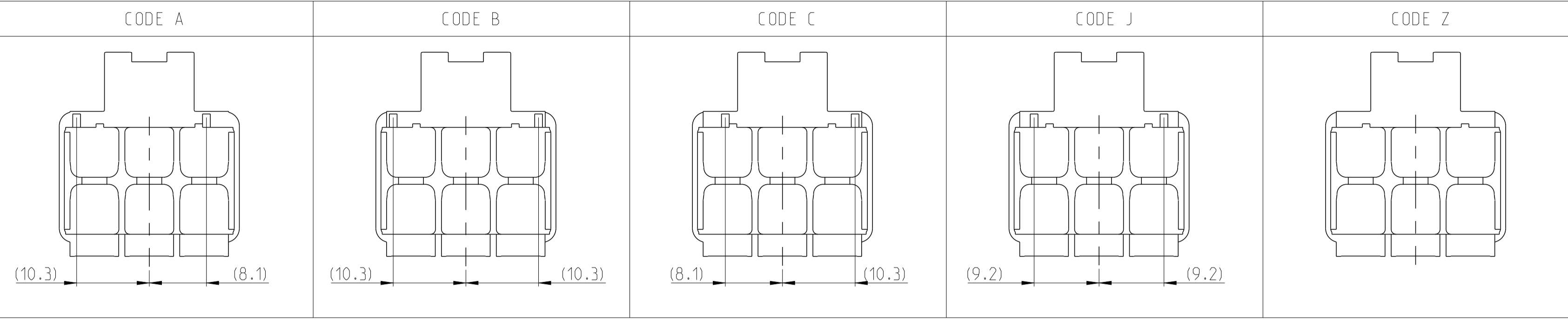


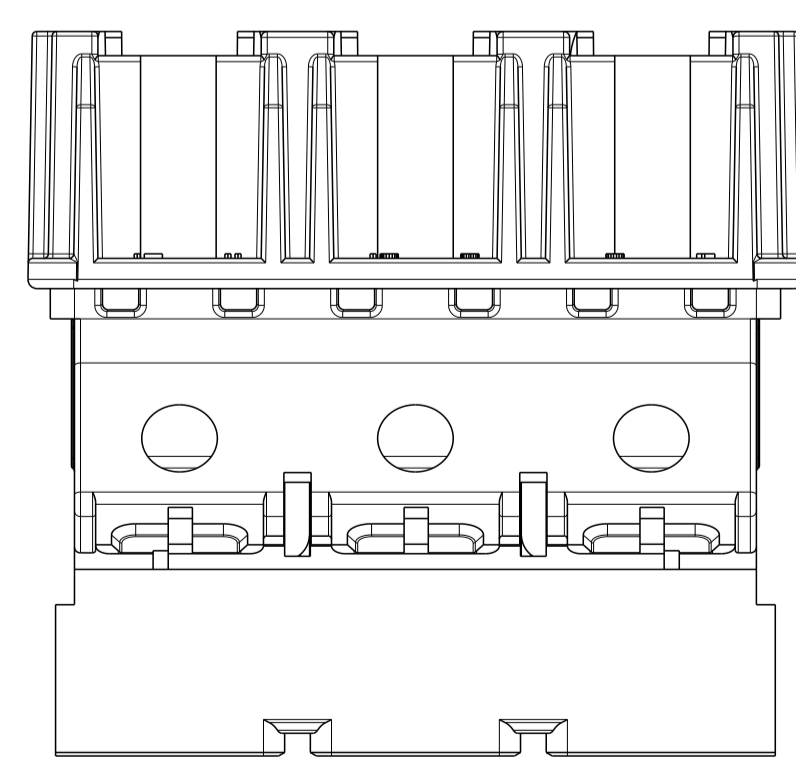
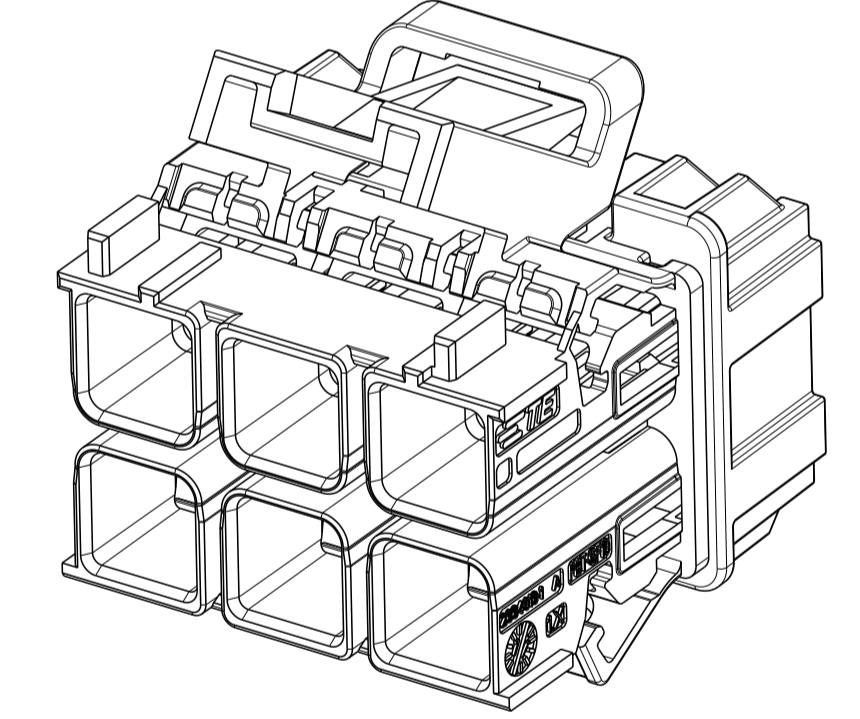
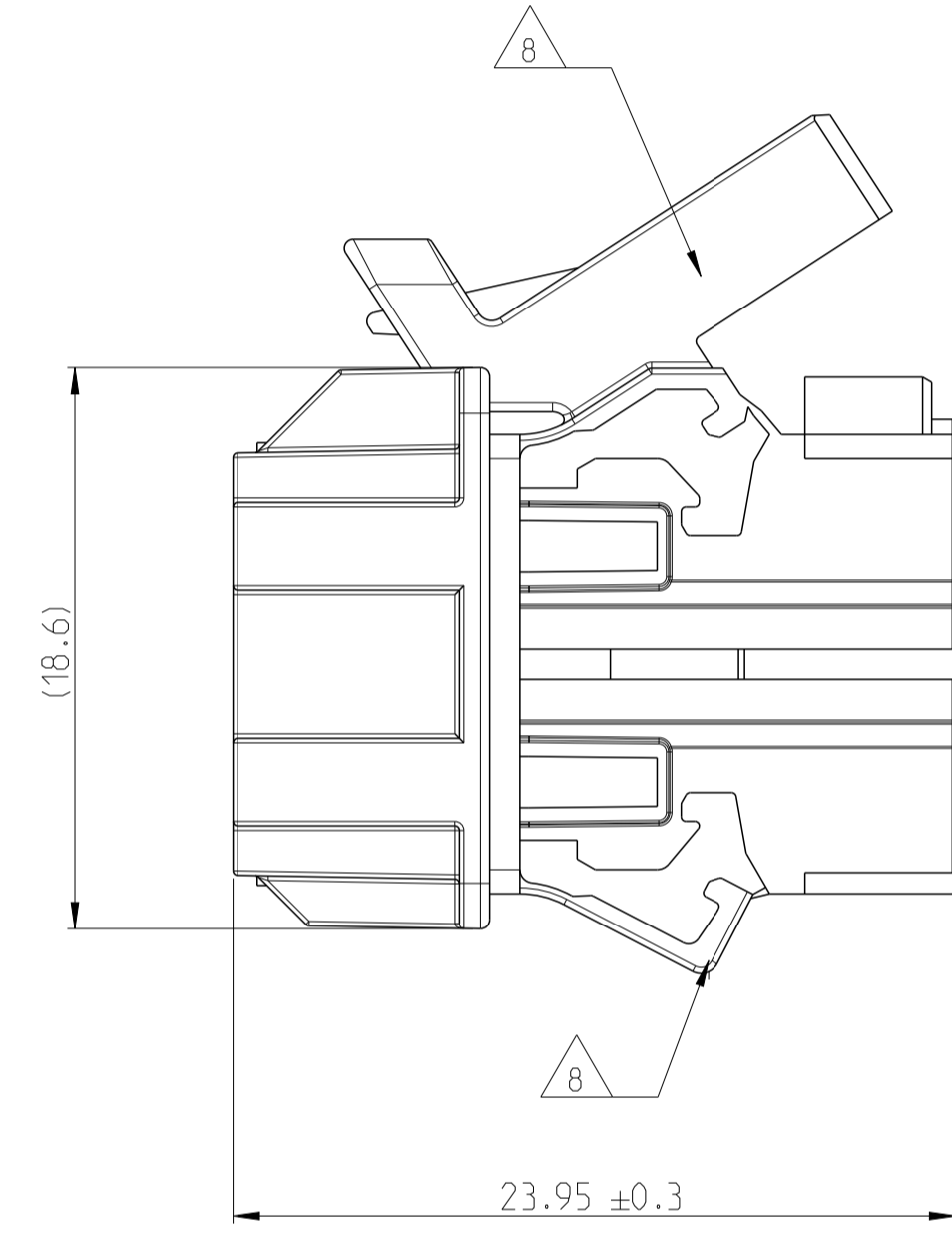
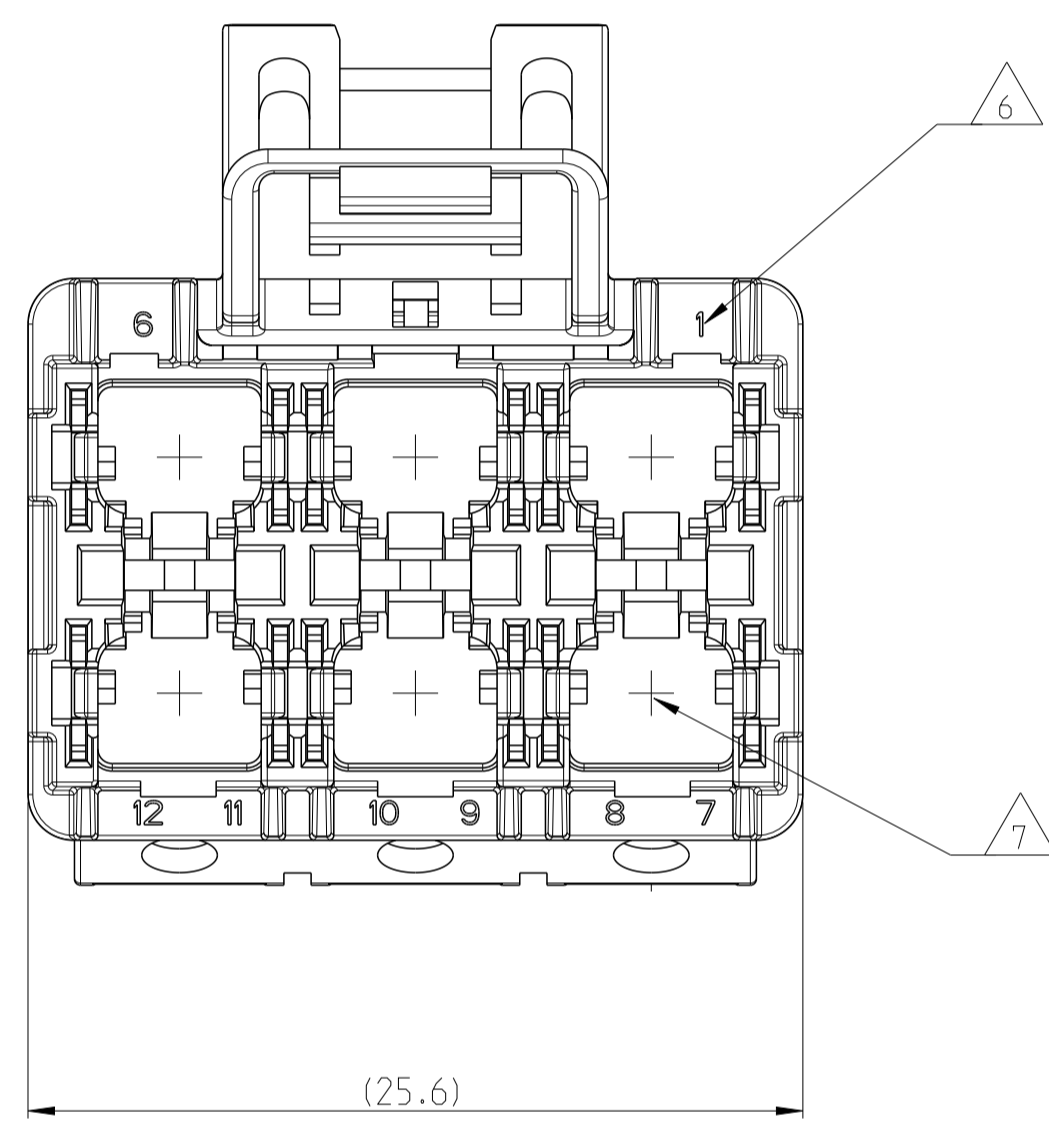
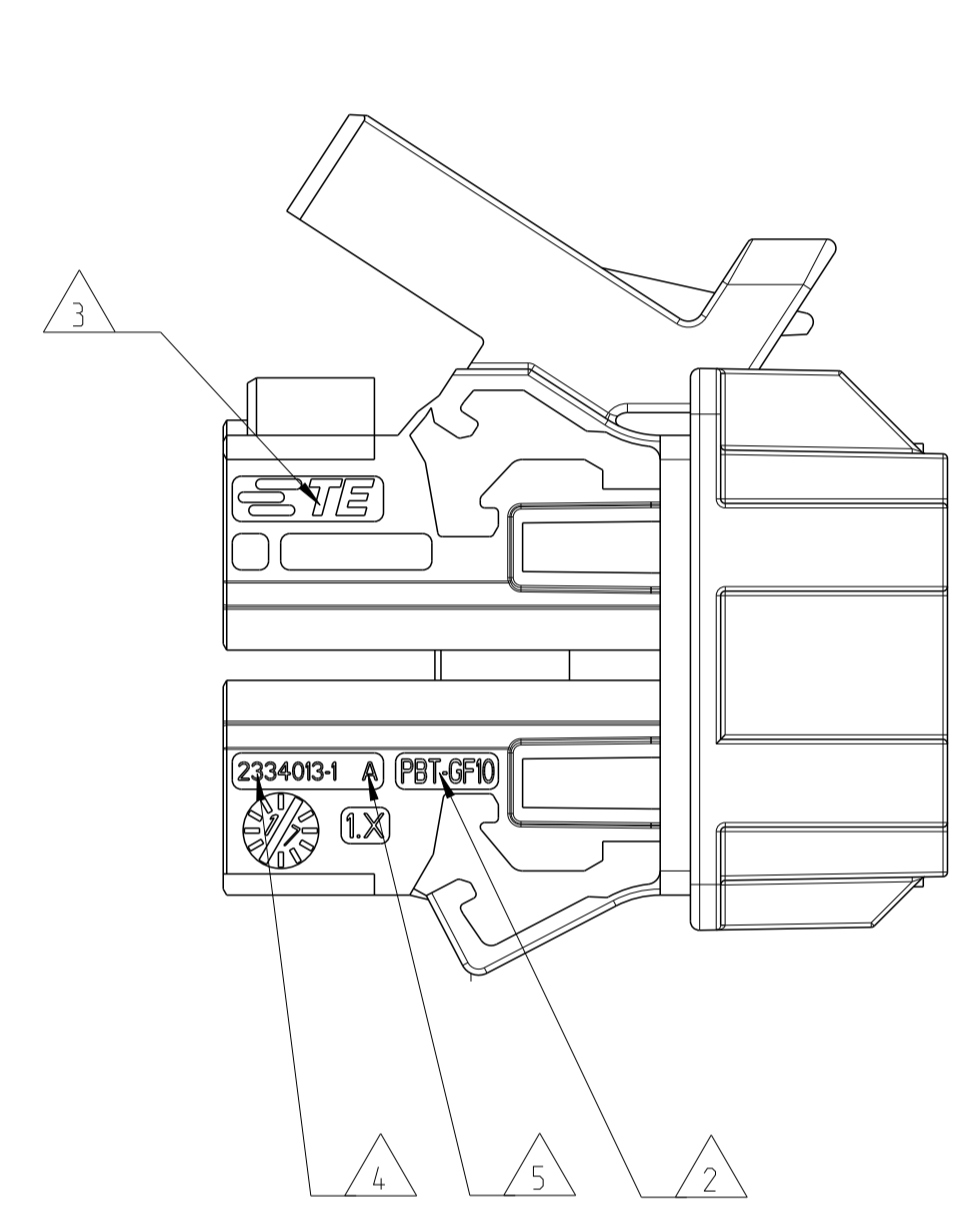
THIS DRAWING IS UNPUBLISHED. RELEASED FOR PUBLICATION
 © COPYRIGHT ALL RIGHTS RESERVED.

CODINGS ACC. TE INTERFACE DRAWING 208-18037

REVISIONS					
P.	LTN	DESCRIPTION	DATE	DMN	APVD
A		INITIAL RELEASE	03DEC18	A.H	W.W
A1		REVISED (ECO-19-007137)	08MAY19	A.H	W.W
A2		REVISED (ECO-21-003425)	17MAR21	A.H	I.Y
A5		ECN-22-151198	27APR22	H.F	F.P



- 1 2334013-1 CODING A AS SHOWN
- 2 MATERIAL MARKING
- 3 TE-LOGO
- 4 TE-PN OF COMPONET "2x3-PORT MATENet FRAME"
- 5 PART REVISION OF COMPONET "2x3-PORT MATENet FRAME"
- 6 CONTACT CAVITY NUMBER
- 7 CAVITY FOR MATENet 2Pos. NanoMQS FEMALE INSERT MODULE TE PN 2302450-X
- 8 DELIVERY CONDITION: RETAINER IN OPEN POSITION
- 9 DELIVERY: LOOSE PIECES IN BAG IN BOX



2334013-9	A	Z	1	2x3-Port MATENET FRAME, CODE Z	PBT GF-10	WATER-BLUE	4.46	1
2334013-7	A	J	1	2x3-Port MATENET FRAME, CODE J	PBT GF-10	BEIGE	4.46	1
2334013-3	A	C	1	2x3-Port MATENET FRAME, CODE C	PBT GF-10	BLUE	4.46	1
2334013-2	A	B	1	2x3-Port MATENET FRAME, CODE B	PBT GF-10	WHITE	4.46	1
2334013-1	A	A	1	2x3-Port MATENET FRAME, CODE A	PBT GF-10	BLACK	4.46	1
ASSY PN	REV.	CODE	QTY.	DESCRIPTION	MATERIAL	COLOR	WEIGHT [g]	POS

THIS DRAWING IS A CONTROLLED DOCUMENT. DMN HL-EU 27APR2022
 CHK D.ZHU 27APR2022
 APVD F.PAN 27APR2022

TE TE Connectivity

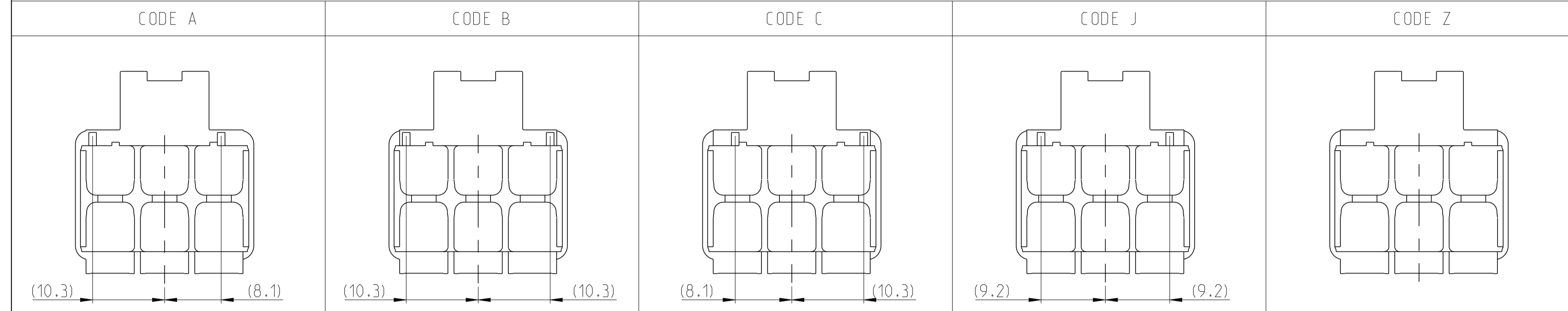
NAME MATENET 2X3 PORT PLUG

SIZE CAGE CODE DRAWING NO RESTRICTED TO
 A1 C=2334013 -

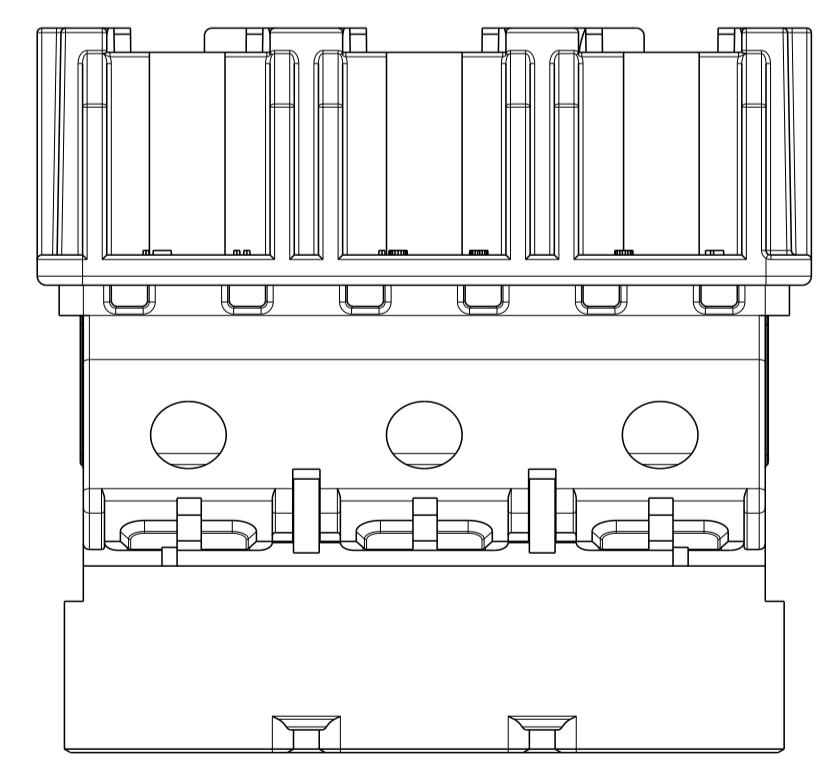
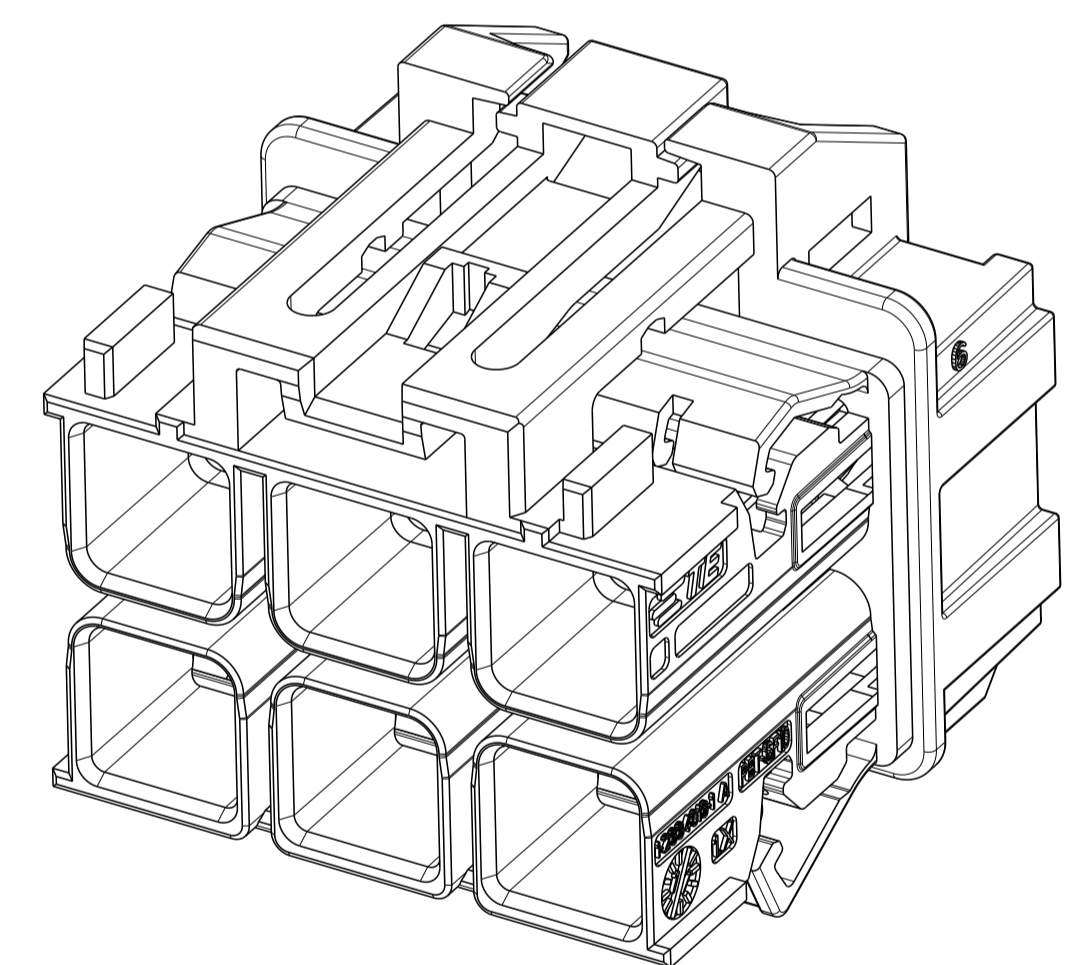
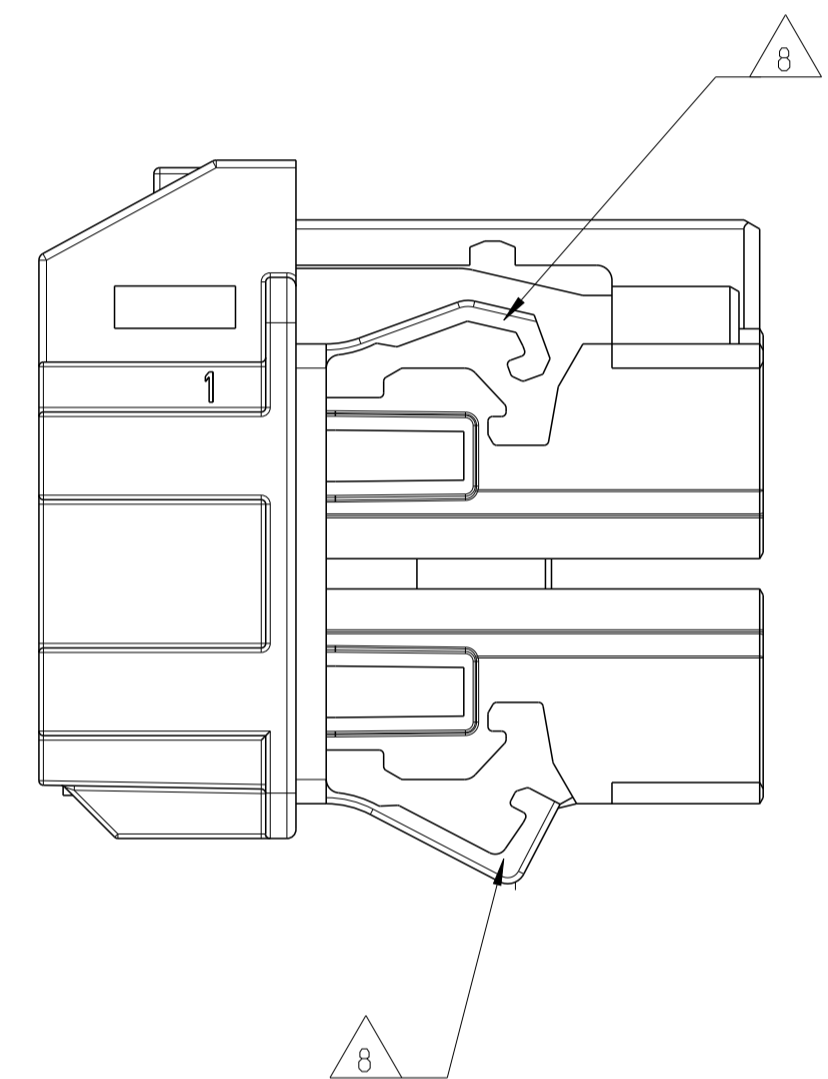
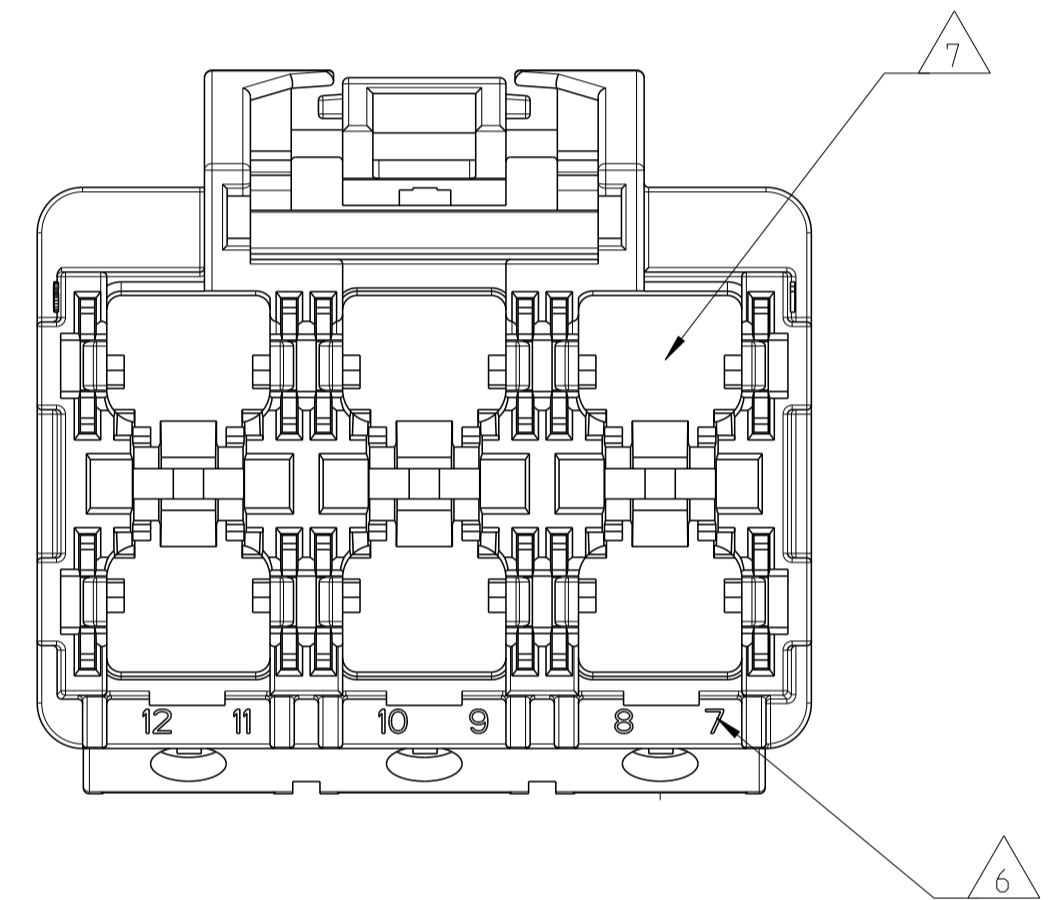
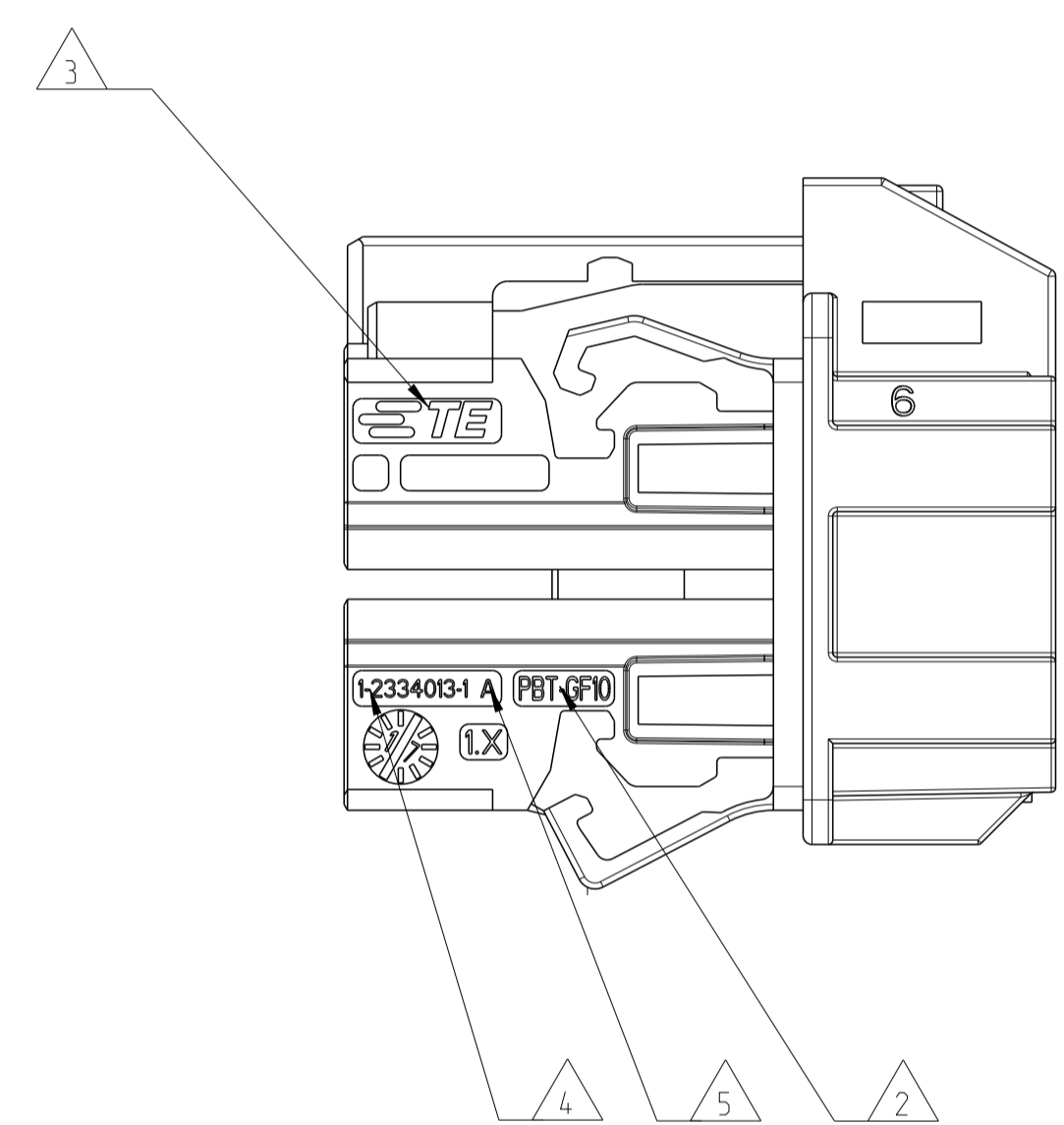
MATERIAL see table DIMENSIONS: mm TOLERANCES UNLESS OTHERWISE SPECIFIED: 0 PLC ±0.3 1 PLC ±0.3 2 PLC ±0.2 3 PLC ±0.2 4 PLC ±0.2 ANGLES ±° FINISH ±° WEIGHT CUSTOMER DRAWING SCALE 4:1 SHEET 1 OF 2 REV A5

CODINGS ACC. TE INTERFACE DRAWING 208-18037

REVISIONS				
P.	LTN	DESCRIPTION	DATE	APVD
		SEE SHEET 1		



- 1 1-2334013-1 CODING A AS SHOWN
- 2 MATERIAL MARKING
- 3 TE-LOGO
- 4 TE-PN OF COMPONENT "2x3-PORT MATENET FRAME"
- 5 PART REVISION OF COMPONENT "2x3-PORT MATENET FRAME"
- 6 CONTACT CAVITY NUMBER
- 7 CAVITY FOR MATENET 2Pos. NanoMQS FEMALE INSERT MODULE TE PN 2302450-X
- 8 DELIVERY CONDITION: RETAINER IN OPEN POSITION
- 9 DELIVERY: LOOSE PIECES IN BAG IN BOX



ASSY PN	REV.	CODE	QTY.	DESCRIPTION	MATERIAL	COLOR	WEIGHT (g)	POS
1-2334013-9	A	Z	1	2x3-Port MATENET FRAME, CODE Z	PBT GF-10	WATER-BLUE	4.46	1
1-2334013-7	A	J	1	2x3-Port MATENET FRAME, CODE J	PBT GF-10	BEIGE	4.46	1
1-2334013-3	A	C	1	2x3-Port MATENET FRAME, CODE C	PBT GF-10	BLUE	4.46	1
1-2334013-2	A	B	1	2x3-Port MATENET FRAME, CODE B	PBT GF-10	WHITE	4.46	1
1-2334013-1	A	A	1	2x3-Port MATENET FRAME, CODE A	PBT GF-10	BLACK	4.46	1

THIS DRAWING IS A CONTROLLED DOCUMENT.

DIMENSIONS:	TOLERANCES UNLESS OTHERWISE SPECIFIED:	OWN: HL-EU 27APR2022	CHK: D.ZHU 27APR2022	APVD: F.DAN 27APR2022
mm	0 PLC ±0.3 1 PLC ±0.3 2 PLC ±0.2 3 PLC ±0.2 4 PLC ±0.2 ANGLES #- FINISH #*	PRODUCT SPEC	108-94568	APPLICATION SPEC
MATERIAL: see table		114-94431	WEIGHT	

TE Connectivity
MATENET 2X3 PORT PLUG

SIZE: A1 CAGE CODE: - DRAWING NO: C=2334013 RESTRICTED TO: -
 SCALE: 4:1 SHEET 2 OF 2 REV: A5