

THIS DRAWING IS UNPUBLISHED.

RELEASED FOR PUBLICATION

---

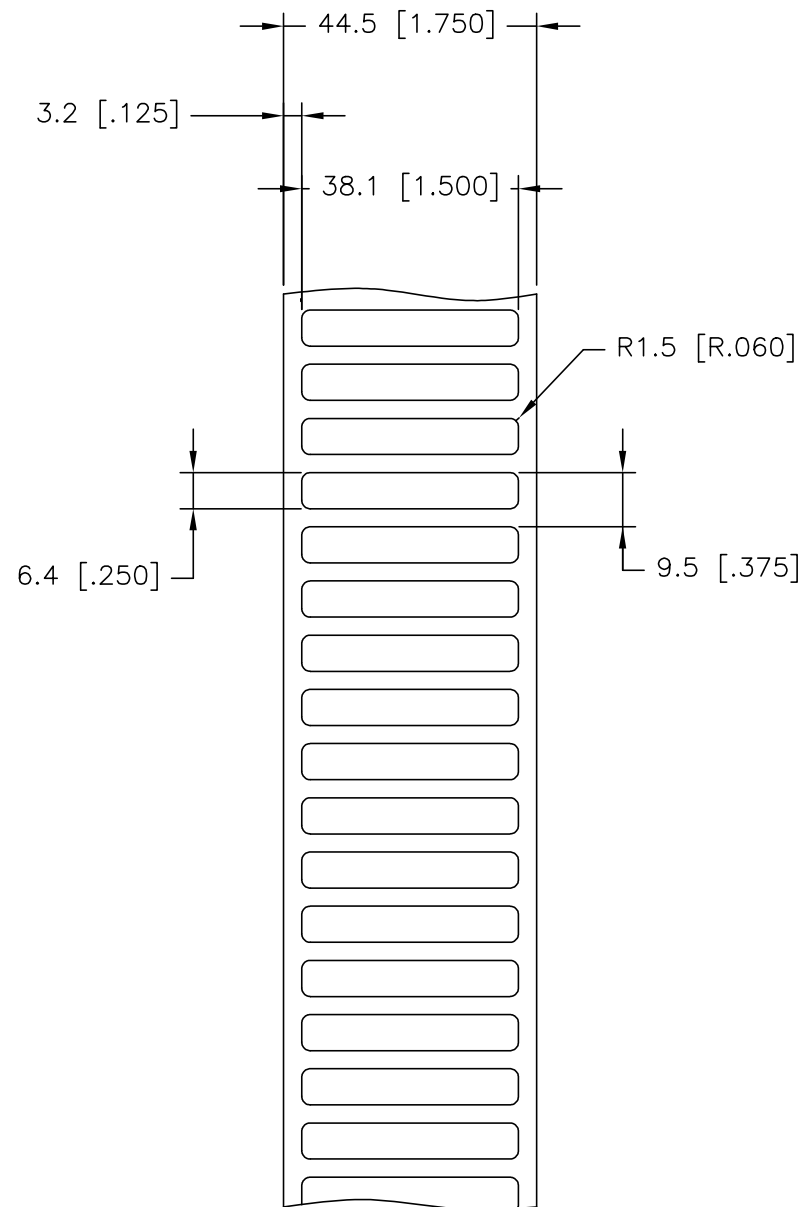
© COPYRIGHT - TE Connectivity Ltd.

ALL RIGHTS RESERVED.

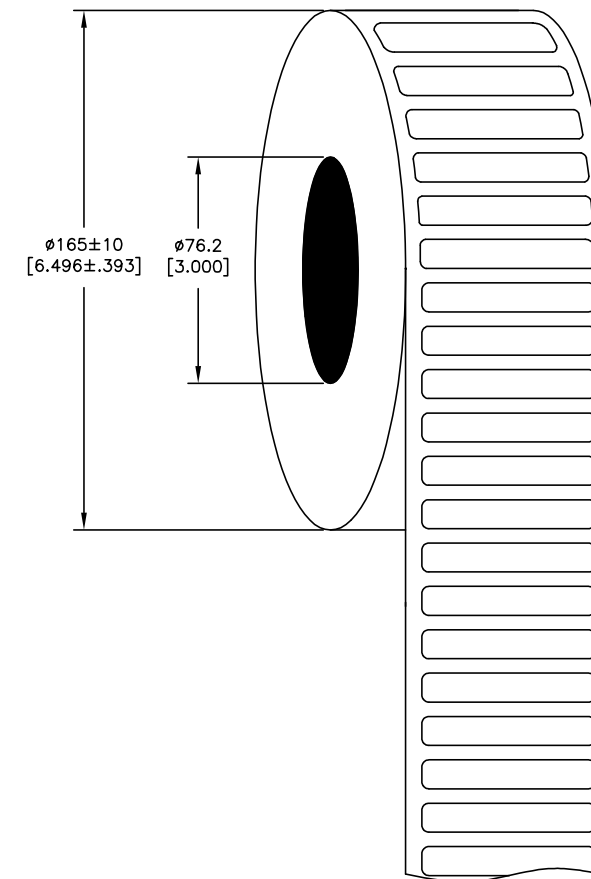
REVISIONS

P	LTR	DESCRIPTION	DATE	DWN	APVD
	A	DRAWING FORMAT UPDATE AND MATERIAL RE-DESIGN	29JUL2019	GK	KM

LABEL AND LINER DESIGN



PRESENTATION



All dimensions in mm [Inches]

TE PN: C11340-000

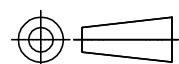
**OUTSIDE WOUND**  
**LABEL ACROSS: 1**  
**PER ROLL QTY: 10000.**  
**ROLL LENGTH: 95.00 m**

MATERIAL	WHITE VINYL FILM
ADHESIVE TYPE	PERMANENT
LINER	GLASSINE PAPER

TOLERANCES mm [INCH]	
LABEL HEIGHT:	±0.3 [.012]
LABEL WIDTH:	±0.3 [.012]
WEB WIDTH:	±0.8 [.031]
VERTICAL REPEAT:	±0.8 [.031]*
HORIZONTAL REPEAT:	±0.8 [.031]*
PRINT POSITIONING:	±0.8 [.031]*
LEFT MARGIN:	±0.4 [.016]
QUANTITY:	-0 % +2 %
*NON ACCUMULATING	

THIS DRAWING IS A CONTROLLED DOCUMENT.

DIMENSIONS:  
mm [INCHES]



TOLERANCES UNLESS OTHERWISE SPECIFIED:

0 PLC	± -
1 PLC	± -
2 PLC	± -
3 PLC	± -
4 PLC	± -
ANGLES	± -

MATERIAL  
SEE TABLE

FINISH

DWN	29JUL2019
CHK	GOPALAKRISHNA HV
APVD	29JUL2019
NAME	K. MUNZ
PRODUCT SPEC	K. MUNZ
APPLICATION SPEC	TTDS-207
WEIGHT	0.02804 g
CUSTOMER DRAWING	

TE Connectivity			
NAME WV - WHITE VINYL LABELS			
SIZE	CAGE CODE	DRAWING NO	RESTRICTED TO
A3	C2290	WV-381064-10-9	-
SCALE	SHEET	REV	
NTS	1 of 1	A	