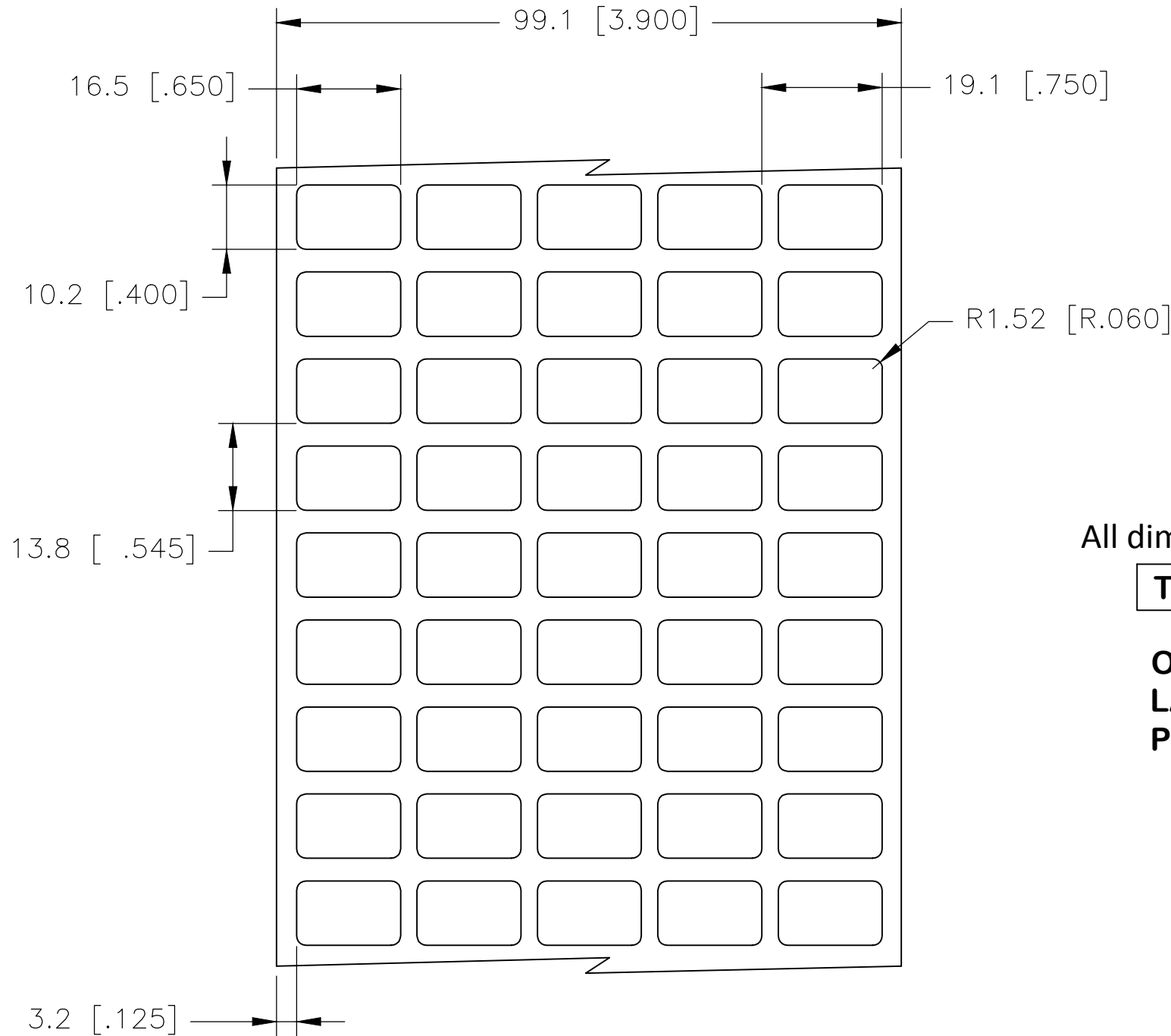
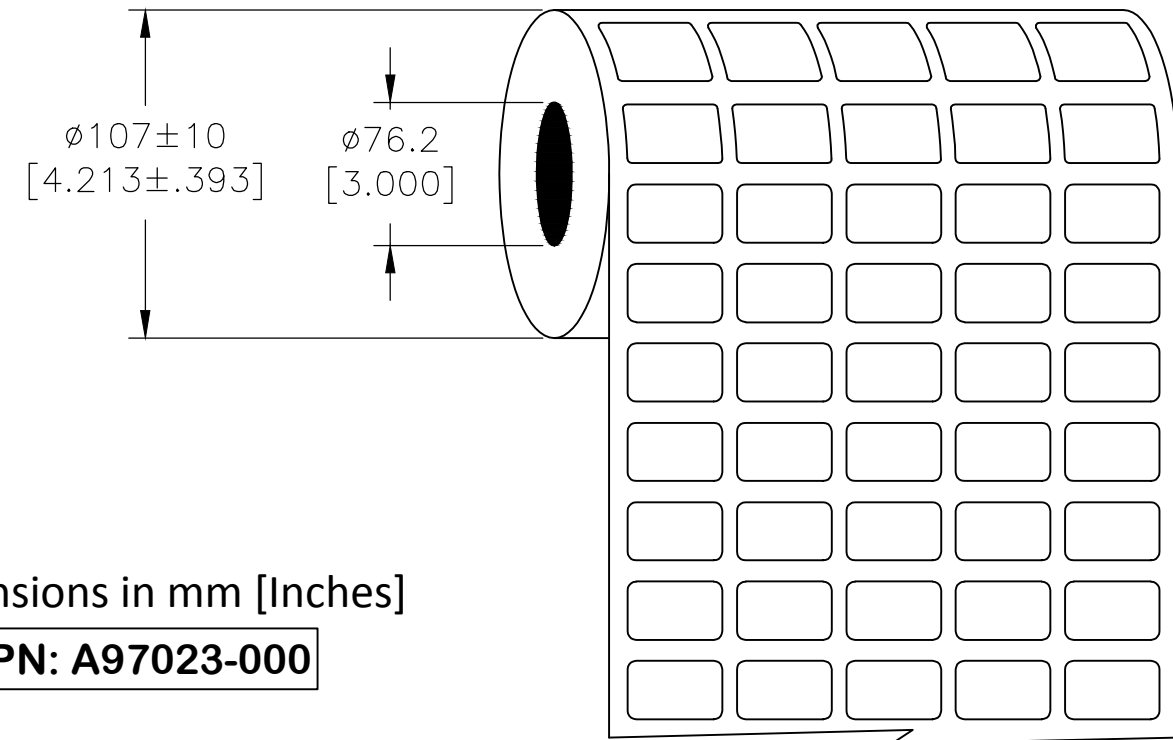


P	LTR	DESCRIPTION	DATE	DWN	APVD
	B	ECR-20-003872	13MAR2020	GK	MN

LABEL AND LINER DESIGN



PRESENTATION



All dimensions in mm [Inches]

TE PN: A97023-000

**OUTSIDE WOUND
LABEL ACROSS: 5
PER ROLL QTY: 10000**

MATERIAL	WHITE POLYESTER
ADHESIVE TYPE	PERMANENT
LINER	GLASSINE PAPER

TOLERANCES mm [INCH]	
LABEL HEIGHT:	±0.3 [.012]
LABEL WIDTH:	±0.3 [.012]
WEB WIDTH:	±0.8 [.031]
VERTICAL REPEAT:	±0.8 [.031]*
HORIZONTAL REPEAT:	±0.8 [.031]*
PRINT POSITIONING:	±0.8 [.031]*
LEFT MARGIN:	±0.4 [.016]
QUANTITY:	-0 % +2 %
*NON ACCUMULATING	

THIS DRAWING IS A CONTROLLED DOCUMENT.	
DIMENSIONS: mm [INCHES]	TOLERANCES UNLESS OTHERWISE SPECIFIED:
	0 PLC ± -
	1 PLC ± -
	2 PLC ± -
	3 PLC ± -
	4 PLC ± -
MATERIAL	FINISH
SEE TABLE	-

DWN	22APR2008
GOPALAKRISHNA HV	
CHK	22APR2008
K. MUNZ	
APVD	22APR2008
K. MUNZ	
PRODUCT SPEC	
TTDS-073	
APPLICATION SPEC	
WEIGHT	0.015g

TE Connectivity	
NAME	
WP - WHITE POLYESTER LABELS	
SIZE	CAGE CODE
A3	C2290
DRAWING NO	RESTRICTED TO
C-WP-165102-10-9	-
CUSTOMER DRAWING	SCALE
NTS	SHEET
1 OF 1	REV
B	