

REVISIONS

P	LTR	DESCRIPTION	DATE	DWN	APVD
	H	REVISED PER PCN-23-190134	29SEP2023	GB	CB
	HI	REVISED PER PCN-23-195010	12DEC2023	AJ	CB

D

D

C

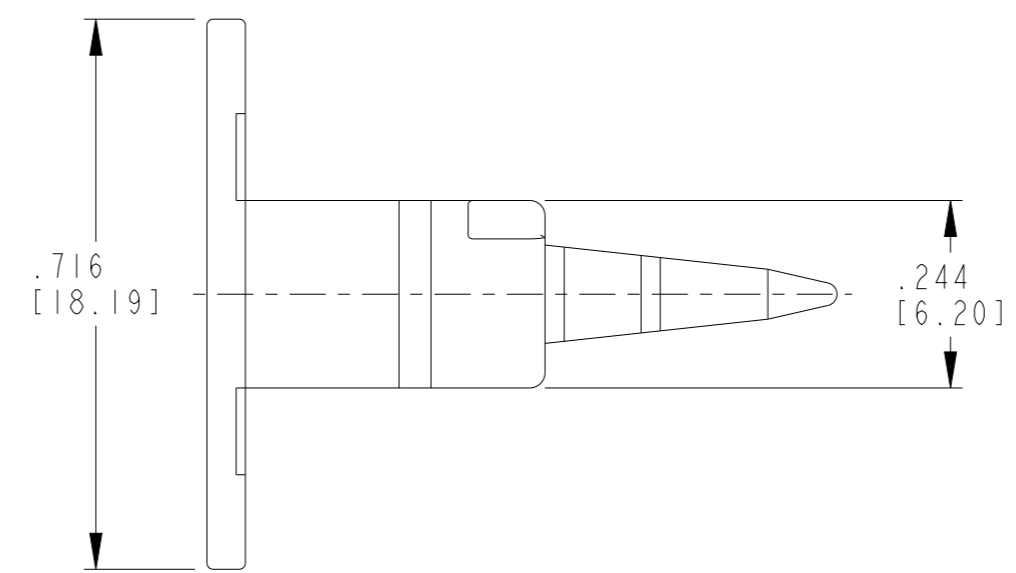
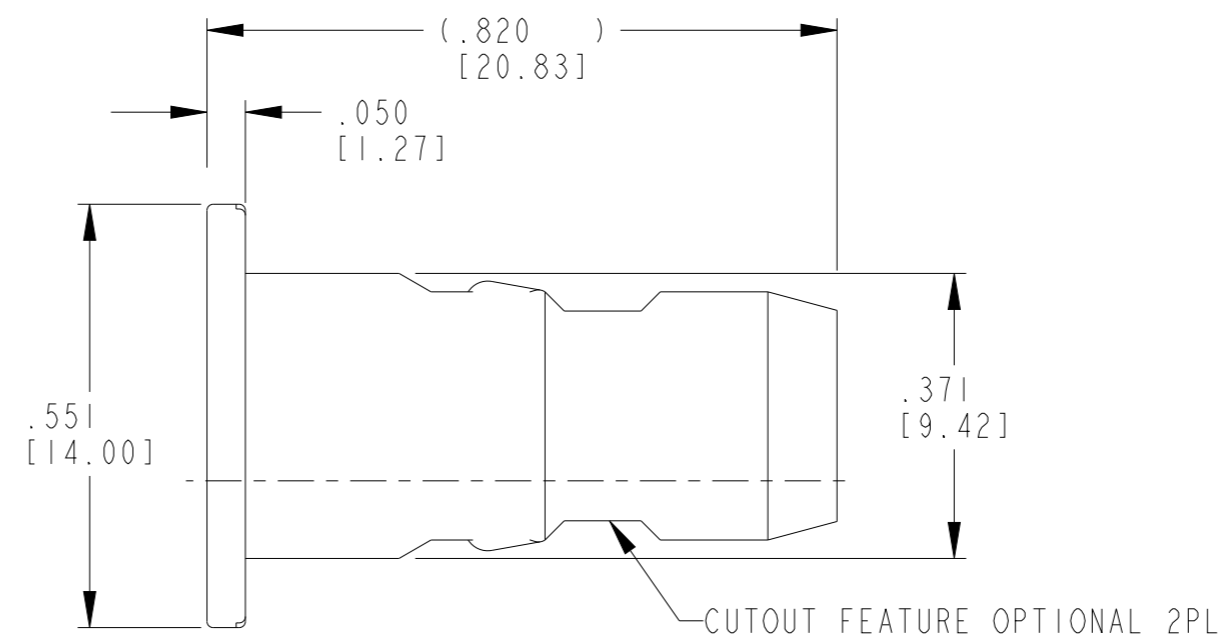
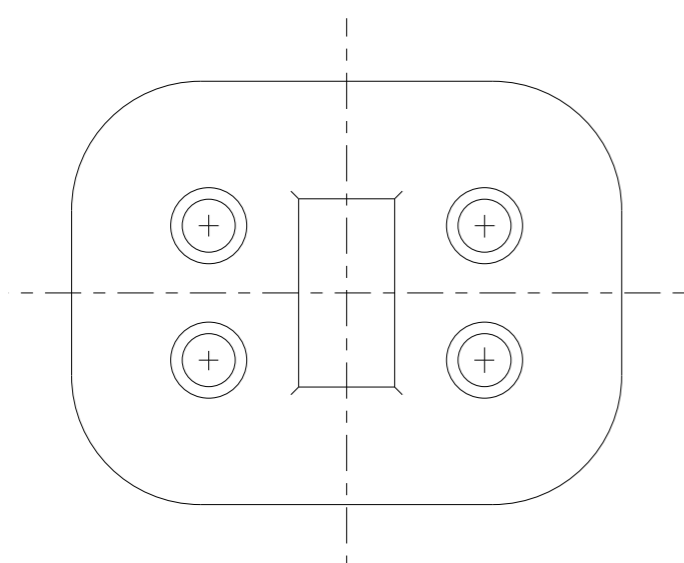
C

B

B

A

A



TE PART NUMBER	DRAWING NUMBER
W4S-ZZ	W4S

THIS DRAWING IS A CONTROLLED DOCUMENT.		DWN	07NOV2001		TE TE Connectivity											
DIMENSIONS: INCHES [mm]		CHK	03APR2009													
TOLERANCES UNLESS OTHERWISE SPECIFIED:		APVD	-													
<table border="0"> <tr><td>0 PLC</td><td>±</td></tr> <tr><td>1 PLC</td><td>±</td></tr> <tr><td>2 PLC</td><td>±</td></tr> <tr><td>3 PLC</td><td>±.025 [0.64]</td></tr> <tr><td>4 PLC</td><td>±</td></tr> <tr><td>ANGLES</td><td>±</td></tr> </table>		0 PLC	±	1 PLC		±	2 PLC	±	3 PLC	±.025 [0.64]	4 PLC	±	ANGLES	±	PRODUCT SPEC	108-151009
0 PLC	±															
1 PLC	±															
2 PLC	±															
3 PLC	±.025 [0.64]															
4 PLC	±															
ANGLES	±															
MATERIAL PBT GF30 ORANGE		FINISH	-		APPLICATION SPEC	114-151009										
		WEIGHT	1.139 g		SIZE	CAGE CODE	DRAWING NO	RESTRICTED TO								
		CUSTOMER DRAWING; RESTRICTED CUSTOMER		SCALE	4:1		SHEET	1 OF 1								
								REV	HI							

1. W4S WEDGE USED WITH DT06-4S-XXXX PLUG.
(XXXX = ALL MODIFICATIONS)