

THIS DRAWING IS UNPUBLISHED.

RELEASED FOR PUBLICATION

20

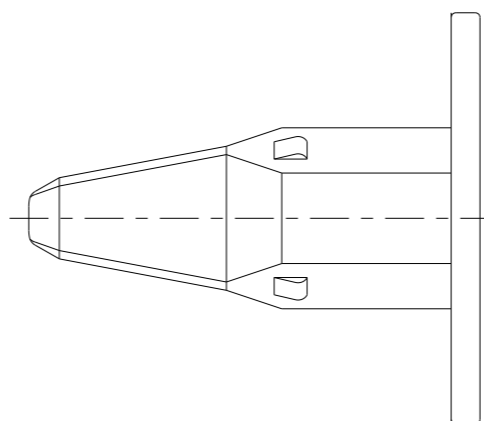
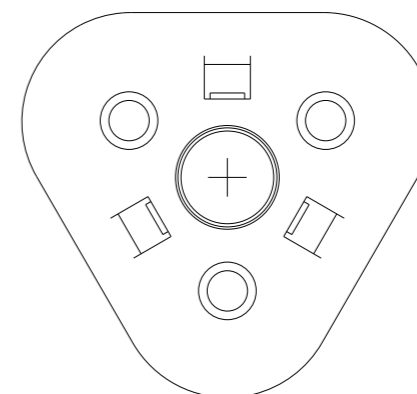
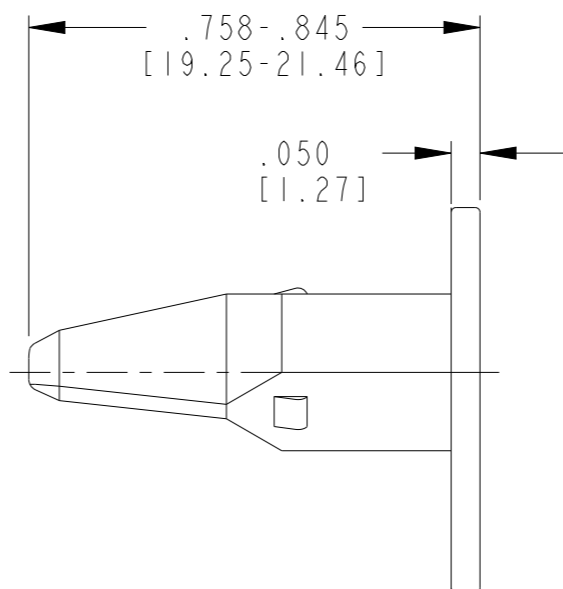
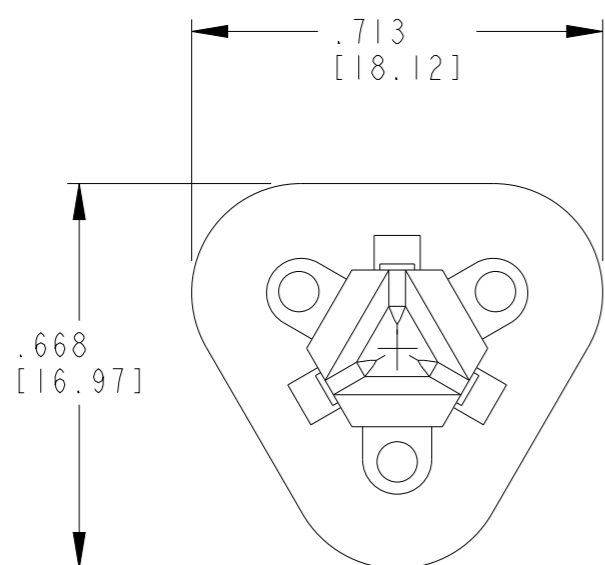
© COPYRIGHT 2017

BY - TE CONNECTIVITY

ALL RIGHTS RESERVED.

REVISIONS

P	LTR	DESCRIPTION	DATE	DWN	APVD
	E	REVISED PER PCN E-17-001289	16JAN2017	CM	DM
	K	REVISED PER PCN-23-190134	29SEP2023	GB	BC



TE INTERNAL PN	DEUTSCH PN
W3S	W3S

2. MATERIAL: PBT 30% GF (ORANGE)

1. THIS WEDGE MAY BE USED WITH DT06-3S-XXXX PLUG (XXXX = ALL MODIFICATIONS). CONSULT FACTORY FOR MODIFICATION AND APPLICATION.

NOTES:

THIS DRAWING IS A CONTROLLED DOCUMENT.

DIMENSIONS: INCHES [mm]	TOLERANCES UNLESS OTHERWISE SPECIFIED:
	0 PLC ±
	1 PLC ±
	2 PLC ±
	3 PLC ± .025 [0.64]
	4 PLC ±
	ANGLES ± 0° 30' 0"
MATERIAL	FINISH
	-
	-

DWN	A. LEE	04FEB1997
CHK	B. BYFORD	14NOV2008
APVD	S. BEARD	13NOV2008
PRODUCT SPEC	108-151009	
APPLICATION SPEC	114-151009	
WEIGHT	0.97 g	
CUSTOMER DRAWING		

<b>STE</b> TE Connectivity			
NAME WEDGE LOCK FOR 3 WAY PLUG STANDARD TYPE DT SERIES			
SIZE	CAGE CODE	DRAWING NO	RESTRICTED TO
A3	4AFU8	W3S	-
SCALE 3:1		SHEET 1 OF 1	REV K