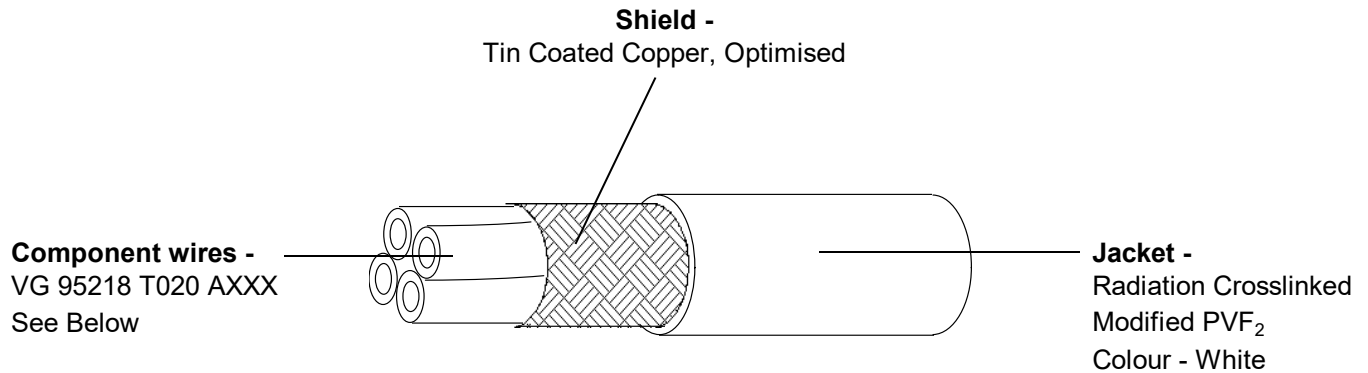


Specification Control Drawing

FOUR CONDUCTOR CABLE, RADIATION-CROSSLINKED, POLYALKENE INSULATED, SHIELDED AND JACKETED, 600 VOLT, 150°C

The complete requirements for procuring the wire described herein shall consist of this document.



| Part Description | Nominal Conductor Cross Sectional Area (mm ²) | Component Wire Description | Maximum Resistance @ 20°C (Ohms/km) | Shield Size (mm) | Jacket Thickness (mm) | | Overall Diameter (mm) | | | Maximum Weight (kg/km) |
|--------------------|---|----------------------------|-------------------------------------|------------------|-----------------------|-------|-----------------------|------|------|------------------------|
| | | | | | Min | Nom | Min | Nom | Max | |
| VG 95218 T023 F009 | 0.25 | VG 95218 T020 A016 | 87.70 | 0.13 | 0.15 | 0.200 | 3.30 | 3.41 | 3.58 | 26.60 |
| VG 95218 T023 F007 | 0.40 | VG 95218 T020 A001 | 54.20 | 0.13 | 0.15 | 0.200 | 3.75 | 3.84 | 4.03 | 35.20 |
| VG 95218 T023 F008 | 0.60 | VG 95218 T020 A003 | 34.20 | 0.13 | 0.18 | 0.228 | 4.27 | 4.38 | 4.60 | 47.40 |
| VG 95218 T023 F012 | 1.00 | VG 95218 T020 A005 | 21.40 | 0.13 | 0.18 | 0.228 | 4.83 | 5.05 | 5.26 | 64.70 |
| VG 95218 T023 F016 | 1.20 | VG 95218 T020 A006 | 16.70 | 0.13 | 0.18 | 0.228 | 5.26 | 5.48 | 5.77 | 77.70 |

COLOUR CODE : Component for the above cables shall be VG 95218 T020 AXXX as per table, colour shall be white.
i.e. Components for VG 95218 T023 F009 shall be VG 95218 T020 A016
Jacket colour shall be White.

PERFORMANCE REQUIREMENTS : Shall be tested to the issue in effect of WSD 955.
Shall meet the requirements of the issue in effect of VG 95218 Part 23 Specification for Type F cables.

APPROVAL: Electronic sign off - no signatures will appear.