

PARAMETER	SPECIFICATION								
Antenna Model	VFD69383B2NNN-518R / VFD69383W2NNN-518R								
Number of Ports	2								
Port Configuration	2x- 3G/4G/ISM/CBRS (LTE/CELL)								
Frequency Bands, MHz	698- 806	824- 894	880- 960	1690-1880	1850- 1990	1910- 2180	2300-2500	2500-2700	3300-3800
Peak Gain(*), Avg. dBi	0.2	1.0	1.5	3.6	3.5	2.9	3.2	4.0	5.1
Peak Gain(*), Max. dBi	1.8	1.8	2.1	4.9	3.9	3.9	3.9	4.7	7.2
VSWR(**), Avg	1.7	1.8	1.8	1.4	1.4	1.4	1.6	1.4	1.3
VSWR(**), Max	2.5	2.2383145	2.2644502	2	2	2.1	2	2	2
Isolation LTE to GNSS (dB)	-10	-12	-14	-18	-17	-17	-21	-19	-27
Azimuth 3 dB Beamwidth	360°, Omnidirectional								
Nominal Impedance (Ohms)	50								
Polarization	Linear Vertical								
Max Power/port- Ambient 25°C(W)	30 (LTE/CELL)								

Notes:

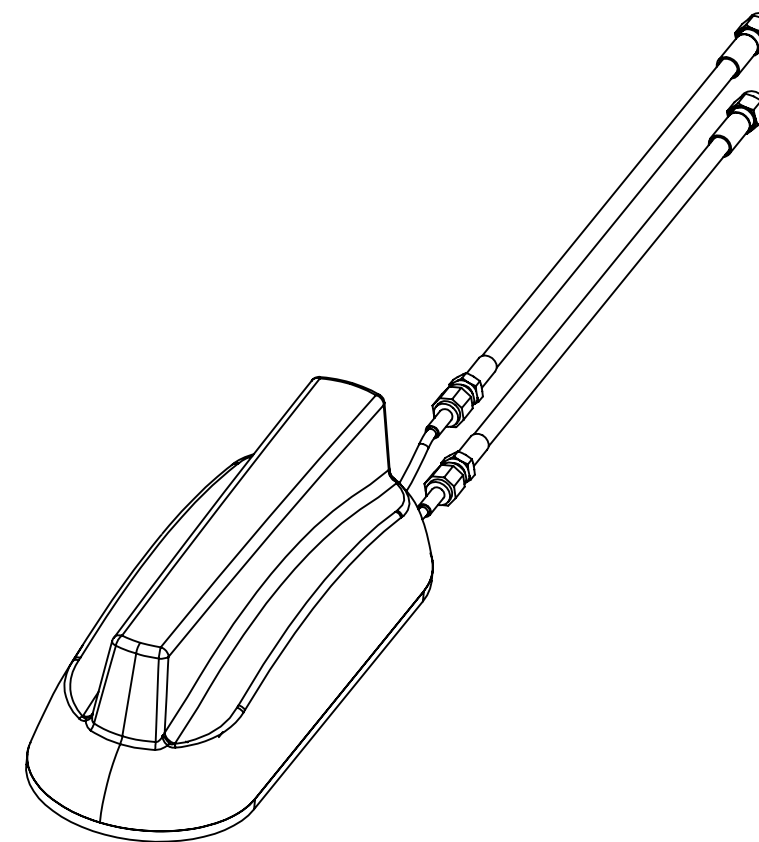
- (*) This parameters is based on 1ft cable length & 1ft ground plane.
- (**) This parameters is based on 17ft cable length & 1ft ground plane.
- Antenna specification is subjected to change according to the ground plane size.

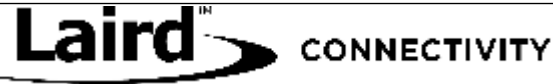
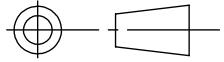
MECHANICAL SPECIFICATIONS

Dimensions- L x W x H, mm (inches)	179 x 63 x 48 mm (7.04 x 2.48 x 1.69)
Weight, kg (lbs)	0.65 kg (1.4 lbs)
Mounting	P- Mount
Cable Type	LMR 100- pigtails, LMR 195- jumper cables
Color	Black or White
Radome Material	PC, UL94-V0
Baseplate Material	Aluminum

ENVIRONMENTAL SPECIFICATIONS

Operating EngvIRONMENT	Outdoor Vehicle
Operating Temperature, °C (°F)	-30 to +70 (-22 to +158)
Storage Temperature	-40 to +85 (-40 to +185)
Ingress Protection	IP67
Rail Compliance Standards	EN61373 (Shock & Vibration), EN50155 (Temperature)
Material Substance Compliance	RoHS Compliant



MATERIAL: SEE BOM		THIRD ANGLE PROJECTION		 PENANG, MALAYSIA	
FINISH: N/A		 DO NOT SCALE DRAWING			
APPROVALS		DATE		TITLE: VFD69383x2NNN-518R MOUNTING & OUTLINE	
DRAWN BY	LCTAN	19AUG20			
ELEC. ENG.	TH LEE	19AUG20			
MECH. ENG.	WTNG	19AUG20			
MFG./OPS.	GL YEAP	19AUG20			
				SIZE DWG. NO. REV A3 VFD69383x2NNN-518RMO F02	
				SCALE: 1:2 PREVIOUS# ERROR!:Old Number SHEET 1 OF 2	

UNLESS OTHERWISE NOTED, THIS DOCUMENT CONTAINS LAIRD CONNECTIVITY CONFIDENTIAL INFORMATION. REPRODUCTION, USE, DISCLOSURE OR TRANSMITTAL OF ALL OR ANY PART OF THIS DOCUMENT IS PROHIBITED EXCEPT TO THE EXTENT APPROVED IN WRITING BY AN AUTHORIZED REPRESENTATIVE OF LAIRD CONNECTIVITY. LAIRD CONNECTIVITY RESERVES ALL RIGHTS UNDER PATENTS, TRADEMARKS, COPYRIGHTS AND TRADE SECRETS. COPYRIGHT, LAIRD CONNECTIVITY 2020, ALL RIGHTS RESERVED.

6

5

4

3

2

1

D

D

C

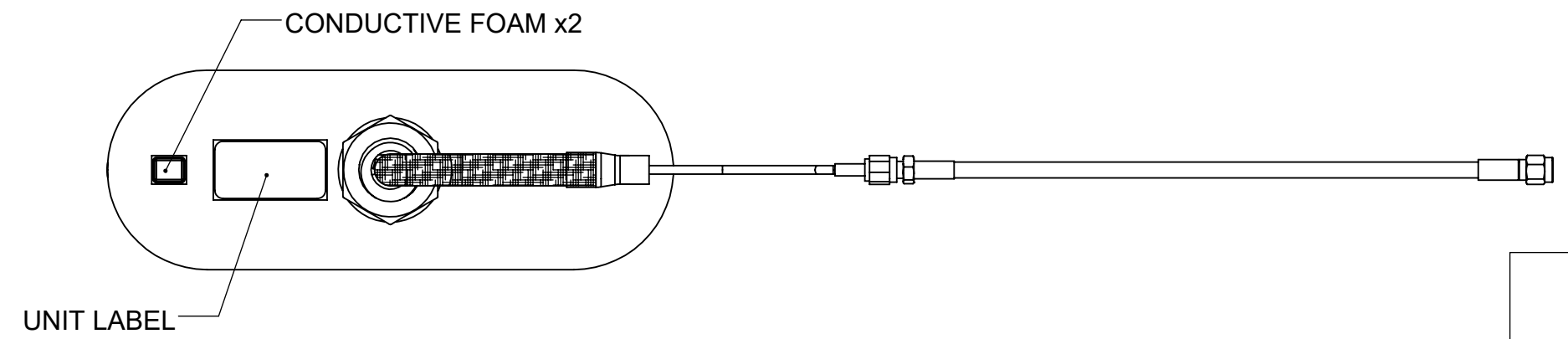
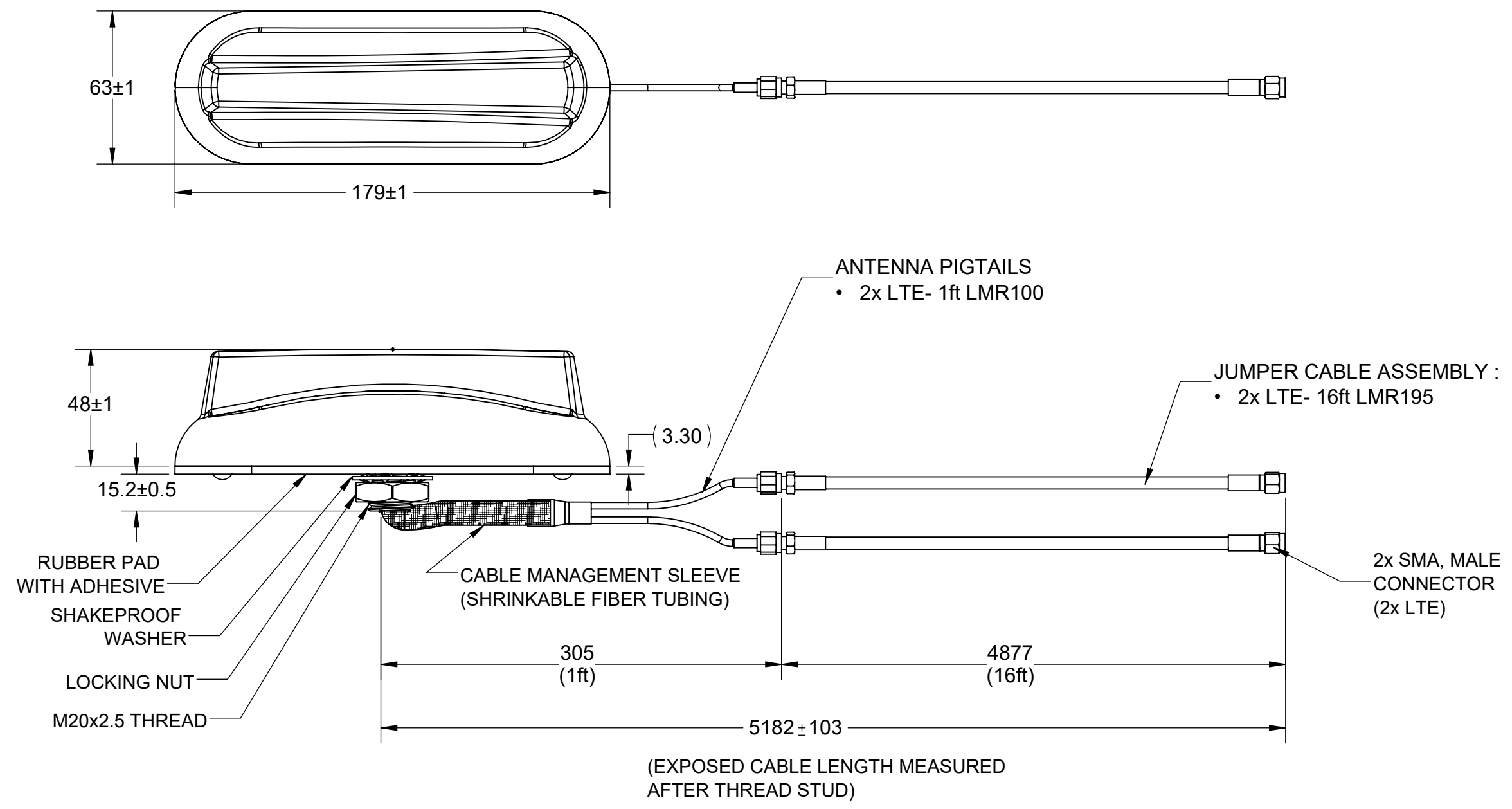
C

B

B

A

A



Laird ™ CONNECTIVITY		
PENANG, MALAYSIA		
SIZE A3	DWG. NO. VFD69383x2NNN-518RMO	REV F02
SCALE: 1:2	PREVIOUS# ERROR!:Old Number	SHEET 2 OF 2

6

5

4

3

2

1