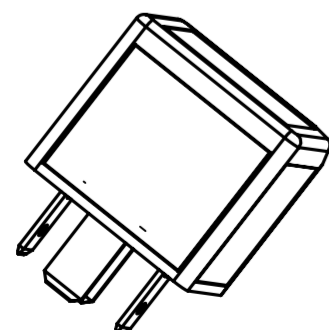


Date Code:
 ++ = Evora
 +- = Suzhou
 20 = Year
 45 = Week
 4 = Day
 1 = Shift
 G = Assembly Line



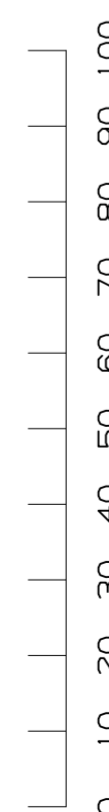
Dustproof:
 Protection class IP 54 acc. to IEC 529 (DIN EN 60529)
 All plug-terminals:
 Terminals shape similar to ISO 8092-1
 Coil and Load Terminals: 6.3 mm ± 0.1 mm x 0.8 mm ± 0.05 mm
 Integrated component: Diode
 All markings according to marking specification Z23136-A3034

PART	MATERIAL	COLOUR
Cover	PA 66 GF 25	Black sim. to RAL 9005
Base	PA 66 GF 25	Black sim. to RAL 9005
Coil Terminals 1 and 2	E-Cu	Pre-tinned Sn
Load terminals 3, 4 and 5	E-Cu	Pre-tinned Sn

Nominal Voltage: 24V
 Coil Resistance: 255 ± 10% at 23° C

1) At Base level.

Part Number	Rev	TE Part Name	Country of Origin
2383369-1	A	V23136-A0103-X151	China
2447984-1	A		Portugal



PROPRIETARY THE REPRODUCTION, TRANSMISSION OR USE OF THIS DOCUMENT OR IT'S CONTENTS IS NOT PERMITTED WITHOUT EXPRESSED WRITTEN AUTHORITY. OFFENDERS WILL BE LIABLE FOR ALL DAMAGES. ALL RIGHTS, INCLUDING RIGHTS CREATED BY REGISTERED PATENT(S) GRANTED FOR A UTILITY MODEL OR DESIGN, ARE RESERVED.		CHANGES TO THIS DRAWING MUST BE DONE ONLY IN CAD	PAPER SIZE A2
APPLICABLE SPEC.:		FINISH DIMENSIONS APPLY PLATING	
TOLERANCE UNLESS SPECIFIED OTHERWISE ISO 8015 DIN 7168 m		SCALE 1:1 ; 2:1	WEIGHT Approx. 36g
DIMENSIONS IN MM		MATERIAL	
DATE 03DEC2020		PART NAME Power FA 24V CHANGE OVER RELAY	
DWN. APP. REV. LOCATION PE EVORA		DWG NO. C - V23136-A0103-X151	
ECN-23-224999 19JUL2023 L.Sand ECN-22-162946 06JUL2022 JPinh Initial Release 10MAY2021 Hfont		SHT. OF 1 1	
REV. CHANGE ORDER DATE APP.		CUSTOMER DRAWING	

