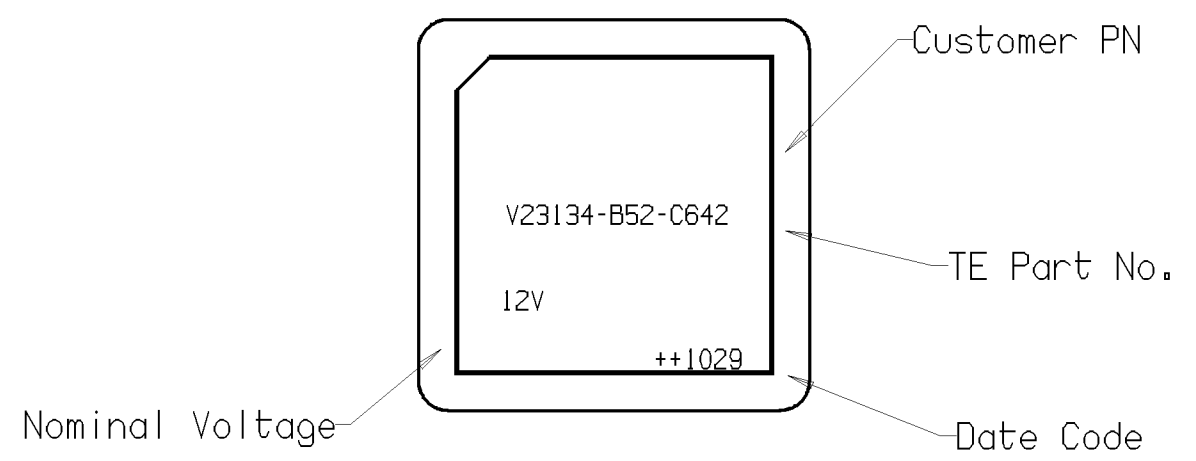
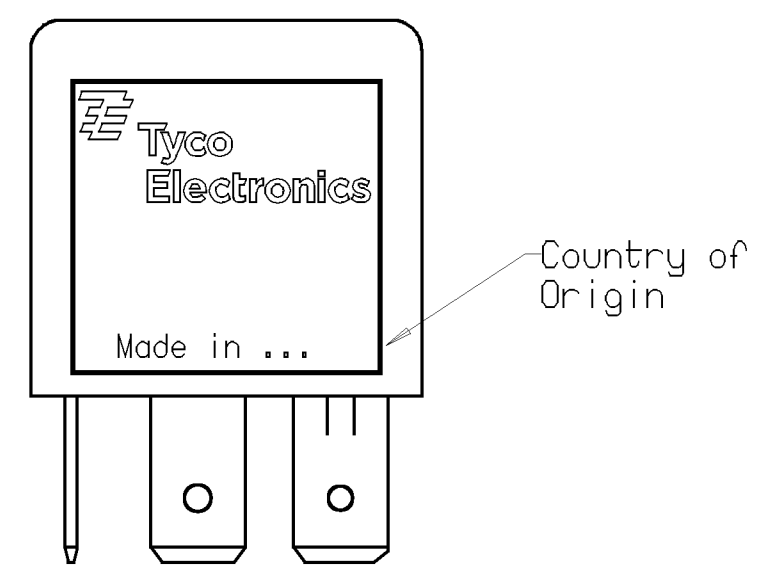
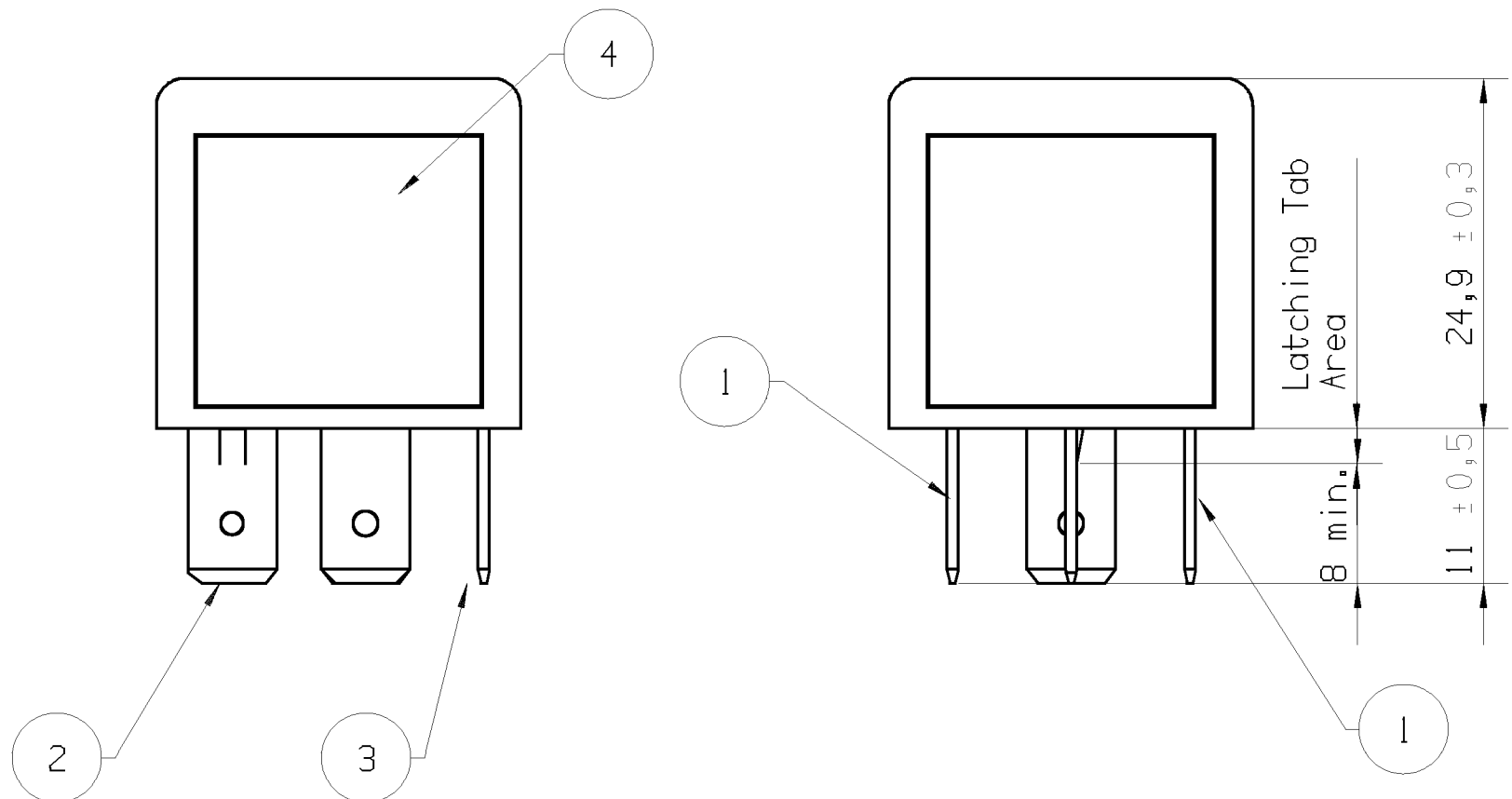
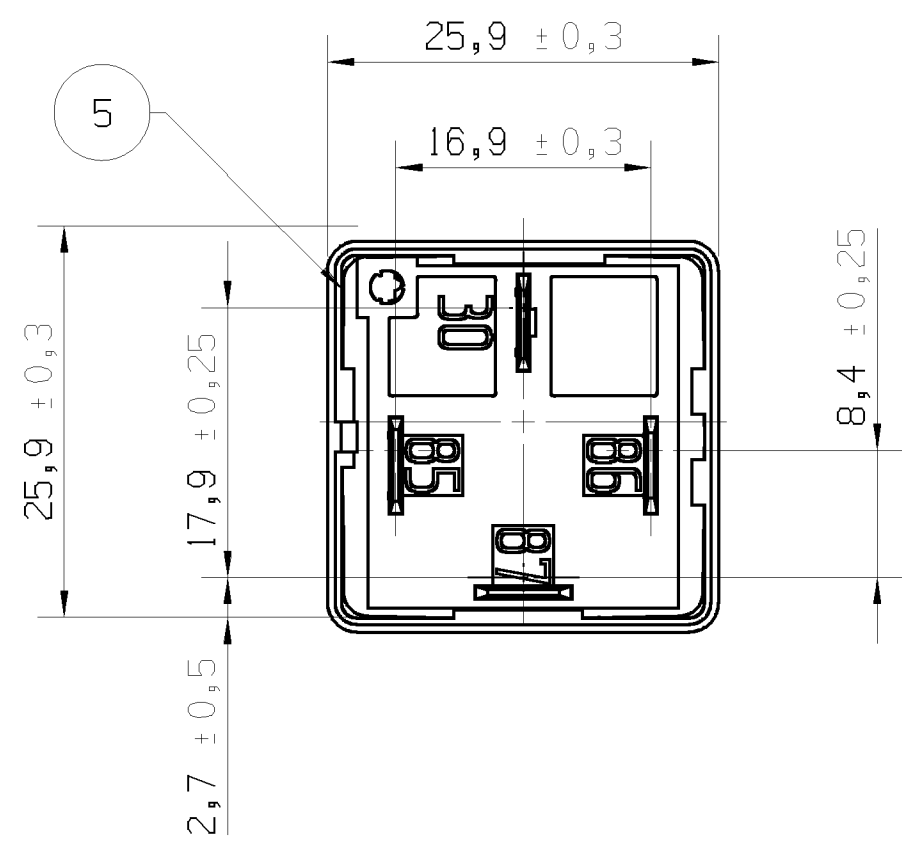
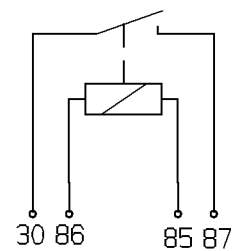


CIRCUIT DIAGRAM

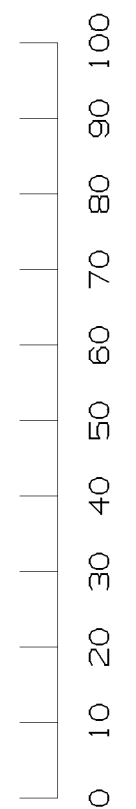


Dustproof:  
Protection class IP 54 To IEC 529 (EN 60529)  
Terminals shape similar to ISO 8092-1  
Coil and Load Terminals 6.3 x 0.8 mm

No.	PART	MATERIAL	COLOUR
5	Base	PA 66 GF 25	Black sim. to RAL 9005
4	Cover	PA 66 GF 25	Black sim. to RAL 9005
3	Load terminal (87)	E-Cu	Pre-tinned Sn
2	Load Terminal (30)	E-Cu	Pre-tinned Sn
1	Coil terminals (85) and (86)	CuSn	Pre-tinned Sn

TE P/N	REV	PART NUMBER	COUNTRY OF ORIGIN
7-1393302-5		V23134-B0052-C642	PORTUGAL
7-1904094-0			CHINA

PROPRIETARY THE REPRODUCTION, TRANSMISSION OR USE OF THIS DOCUMENT OR IT'S CONTENTS IS NOT PERMITTED WITHOUT EXPRESSED WRITTEN AUTHORITY. OFFENDERS WILL BE LIABLE FOR ALL DAMAGES. ALL RIGHTS, INCLUDING RIGHTS CREATED BY REGISTERED PATENT(S) GRANTED FOR A UTILITY MODEL OR DESIGN, ARE RESERVED.		CHANGES TO THIS DRAWING MUST BE DONE ONLY IN CAD	PAPER SIZE A2
APPLICABLE SPEC.:		FINISH	
DIMENSIONS UNLESS SPECIFIED OTHERWISE		DIMENSIONS IN MM	SCALE 2:1
DATE NAME DWN. 16APR2012 L.Sandoval APP. REV. LOCATION PE Evora		PART NAME POWER F Relay NO 40A 12V	
B ECO-14-009307 12JUN2014 L.Sandoval A Initial Drawing 16APR2012 L.Sandoval		PART NO. V23134-B0052-C642	
REV. CHANGE ORDER DATE APP.		SH. 1 OF 1	



CLASS 3 CUSTOMER DRAWING