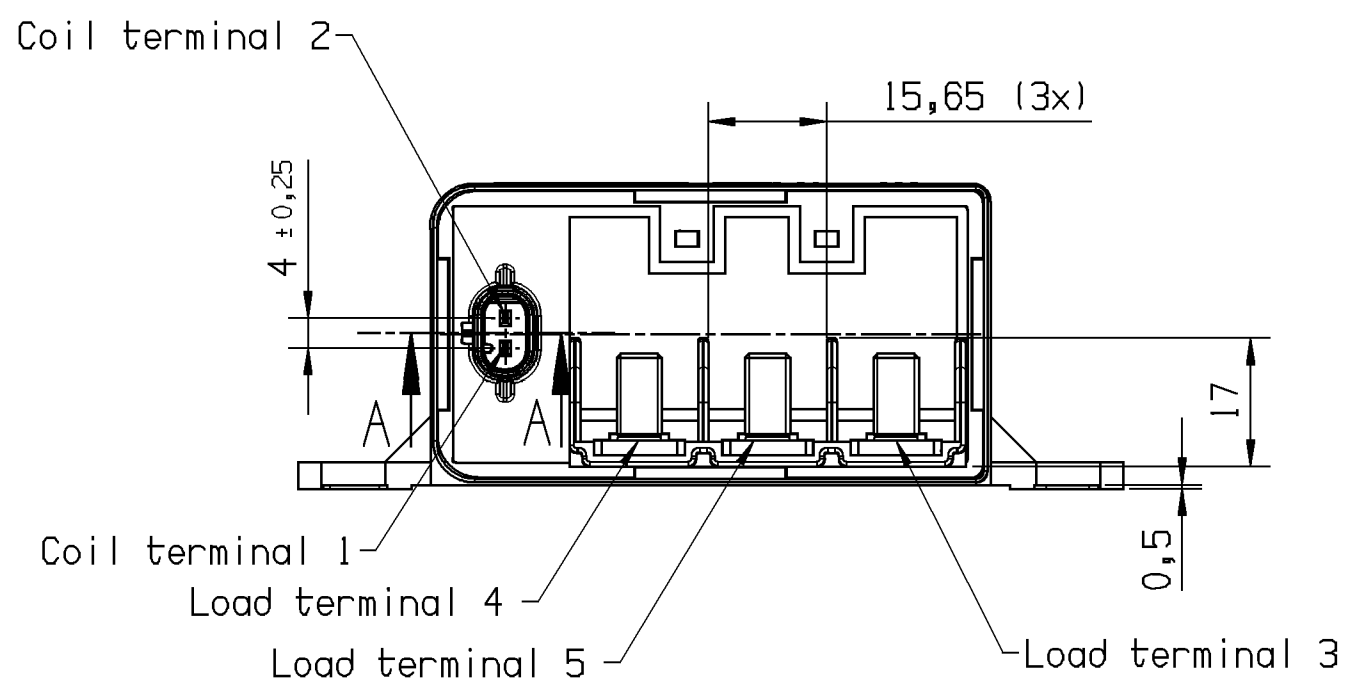
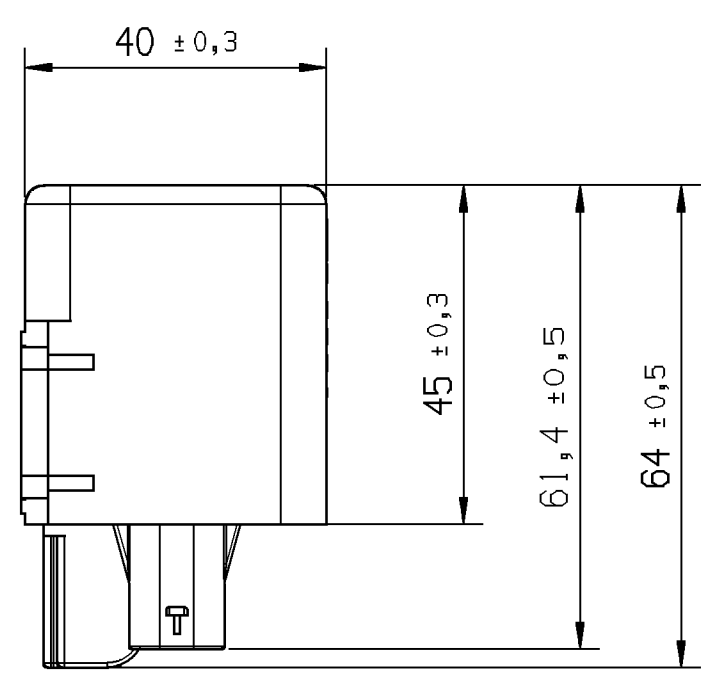
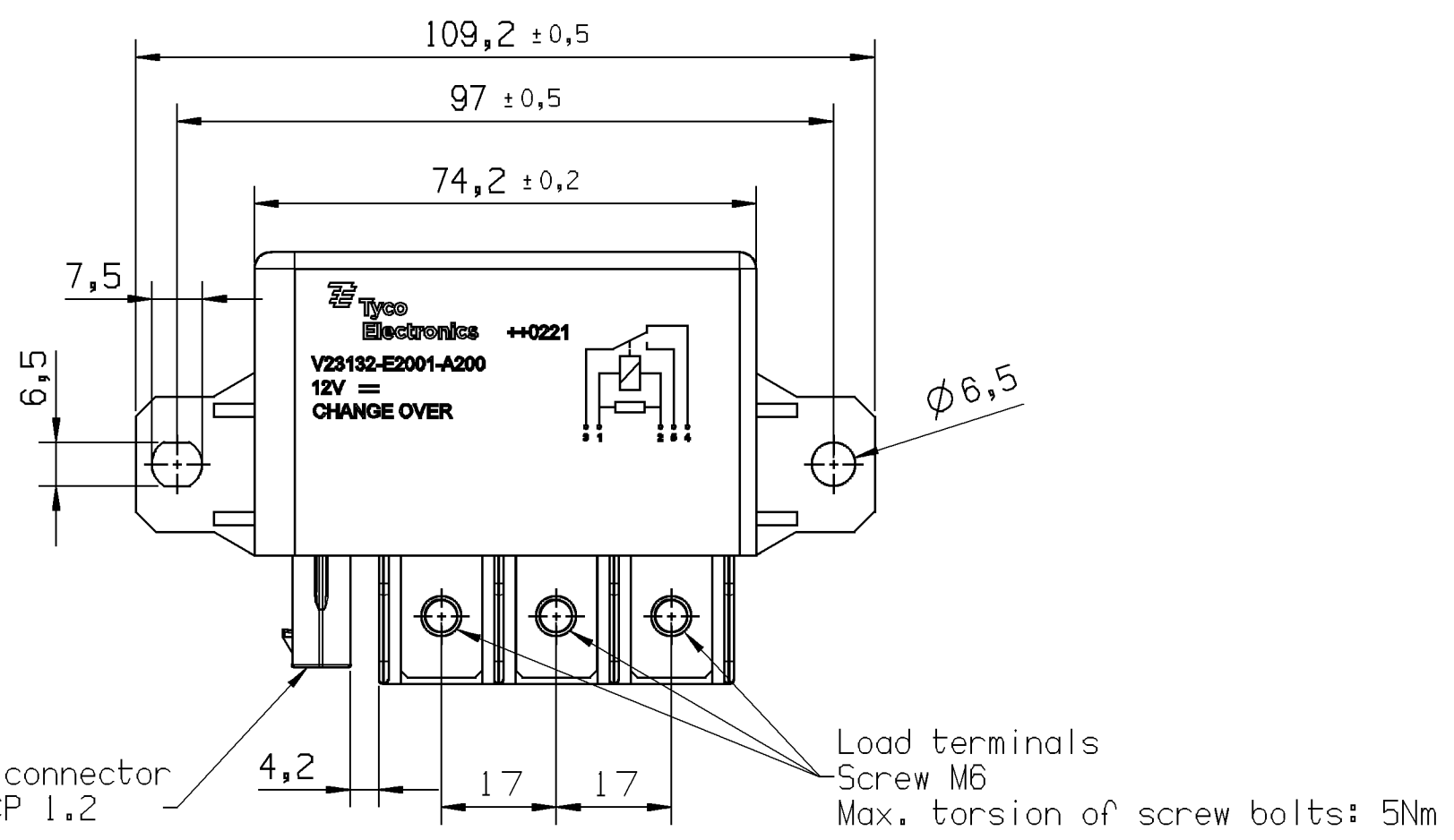
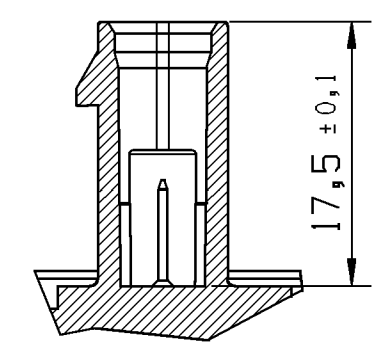


PART	MATERIAL	COLOUR
COVER	PA 66 GF 25	BLACK SIM. TO RAL 9000
BASE	PA 66 GF 25	BLACK SIM. TO RAL 9000
COIL TERMINAL 1	CuSn	Sn100(0,8...2µm)
COIL TERMINAL 2	CuSn	Sn100(0,8...2µm)
LOAD TERMINAL 3	ECu	Sn100(2...4µm)
LOAD TERMINAL 4	ECu	Sn100(2...4µm)
LOAD TERMINAL 5	ECu	Sn100(2...4µm)
NC CONTACTS	SBE17/ECu	
NO CONTACTS	AgSnO ₂ /ECu	
Stud	St	Zn chromated with Cr3



SECTION A-A



Electrical Characteristics

Coil Resistance:	44 Ohm
Resistor in parallel with coil:	270 Ohm
Equivalent resistance:	37 Ohm
Nominal voltage:	12V
Pull-in Voltage:	7,2V *)
Drop-out Voltage:	1,2V *)
Temperature Range:	-40° C to +125° C

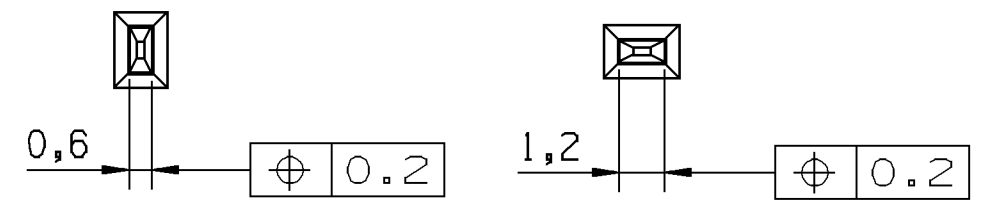
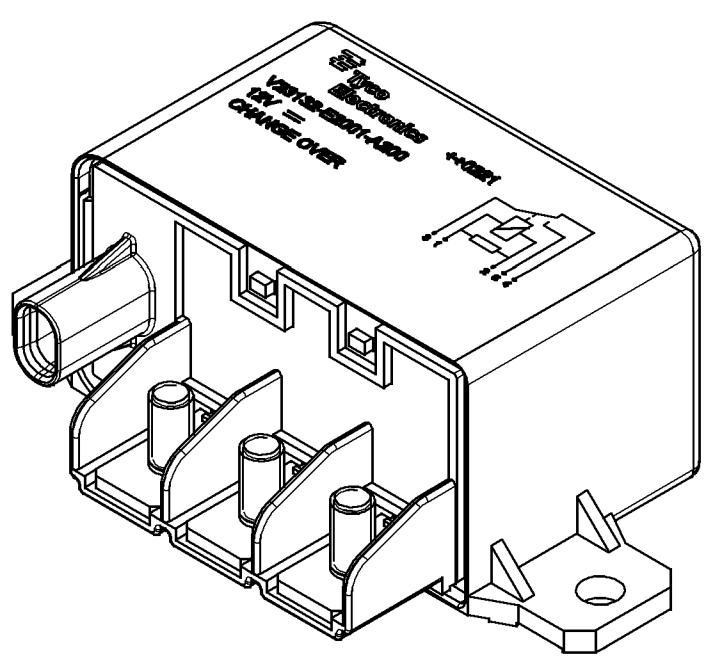
*) Coil at Ambient Temperature

Marking

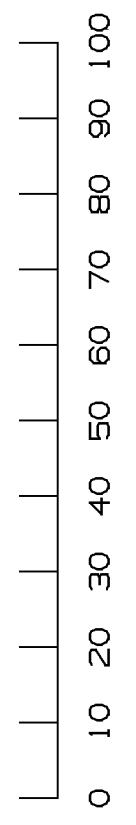
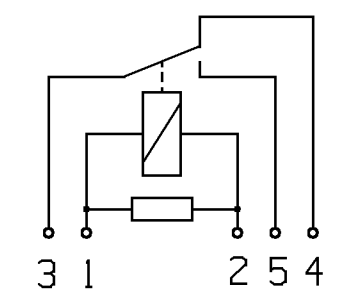
Cover marking contains:
 (Printed, moulded or laser marked)
 -TE partnumber and logo
 -Nominal voltage
 -Circuit diagram
 -Datecode (printed, laser marked or punch marked)

Connector

Connector according specification 114-18679-3
 Appropriate for connector 1718643



WIRING DIAGRAM



PROPRIETARY THE REPRODUCTION, TRANSMISSION OR USE OF THIS DOCUMENT OR IT'S CONTENTS IS NOT PERMITTED WITHOUT EXPRESSED WRITTEN AUTHORITY. OFFENDERS WILL BE LIABLE FOR ALL DAMAGES. ALL RIGHTS, INCLUDING RIGHTS CREATED BY REGISTERED PATENT(S) GRANTED FOR A UTILITY MODEL OR DESIGN, ARE RESERVED.		CHANGES TO THIS DRAWING MUST BE DONE ONLY IN CAD	PAPER SIZE A2
APPLICABLE SPEC.:		FINISH	
DIMENSIONS APPLY		PLATING	
TOLERANCE UNLESS SPECIFIED OTHERWISE ±0.2		SCALE 1:1	WEIGHT
DIMENSIONS IN MM		MATERIAL	
DATE DWN. 19MAY2010 HFrancisco		PART NAME HCR Changeover relay	
APP.		PART NO. V23132-E2001-A200	
REV. CHANGE ORDER		SH. 1 OF 1	
DATE 20JUL2010		CUSTOMER DRAWING	
APP.		CLASS 3	