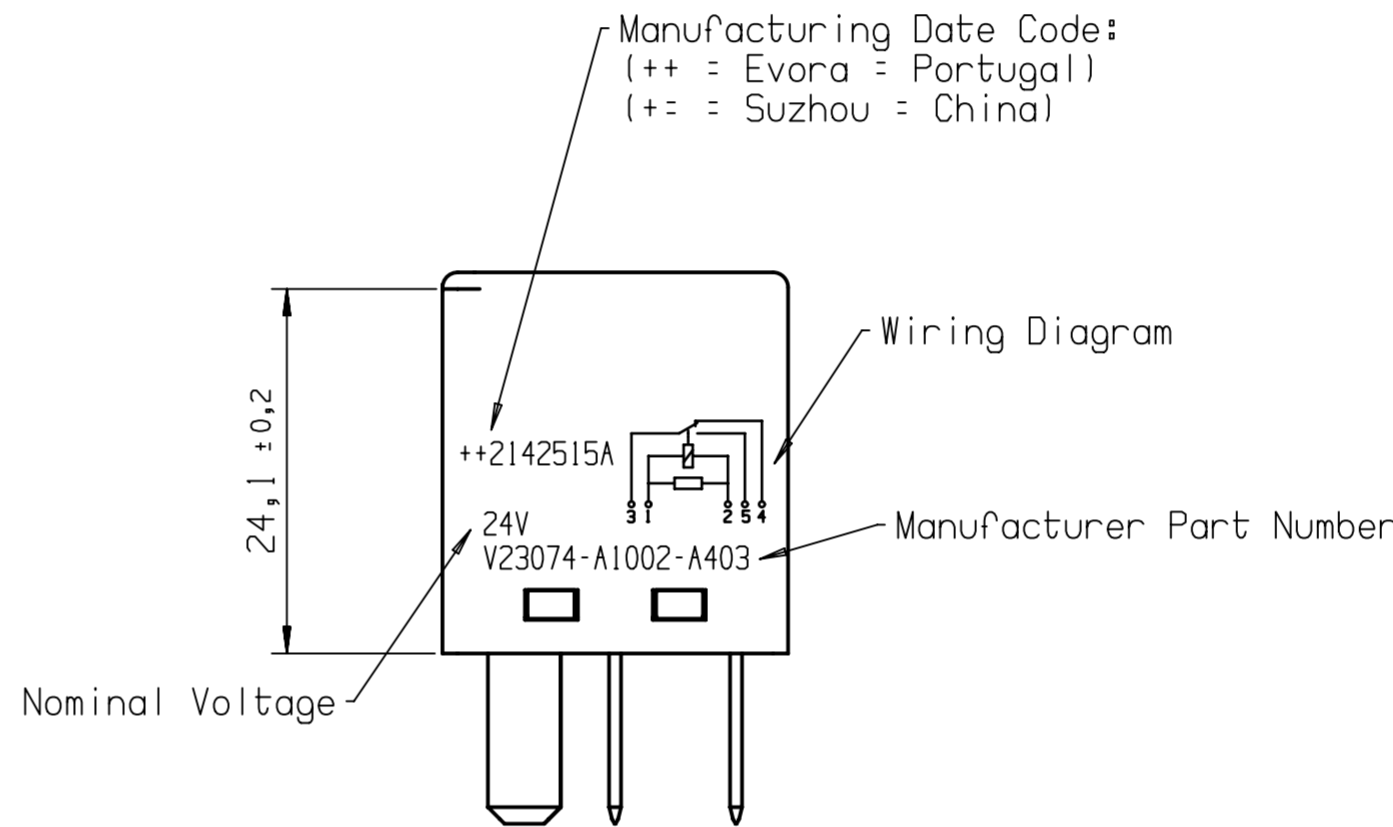
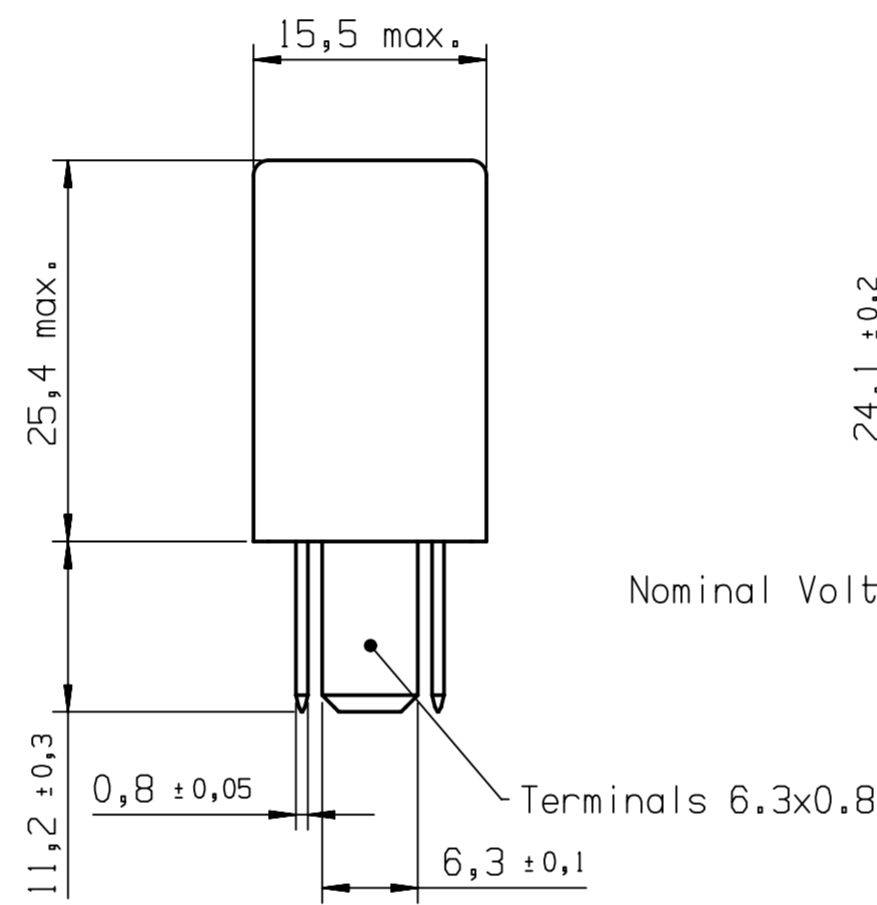
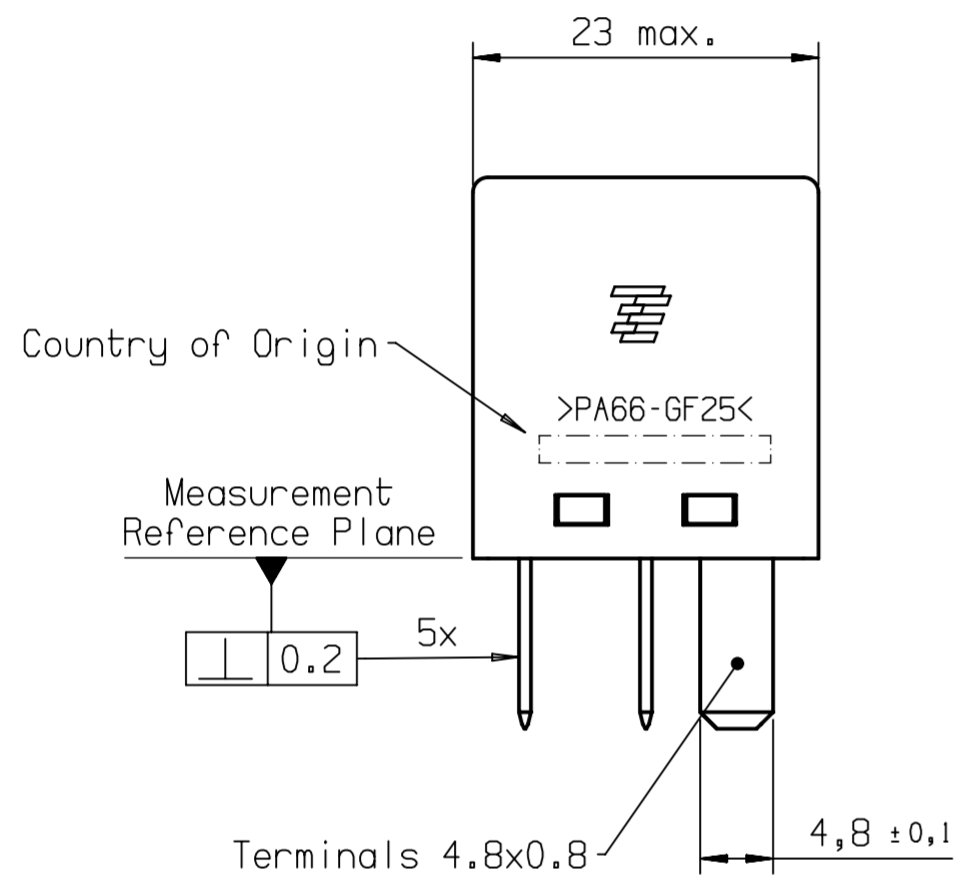
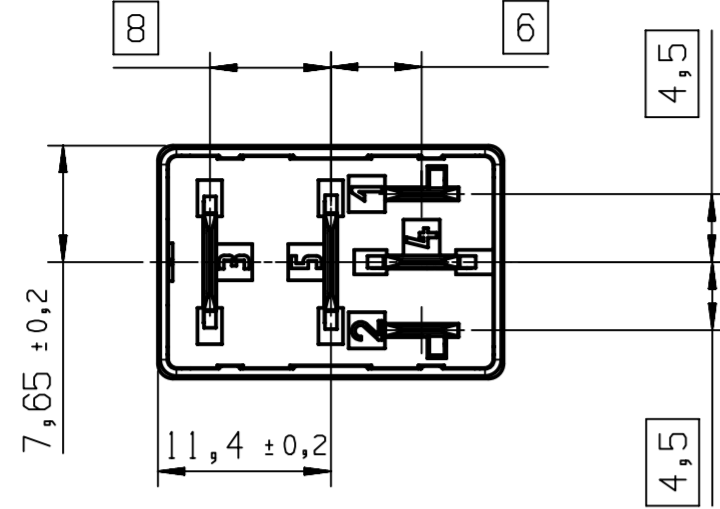


Positional Tolerance: $\oplus 0.15$

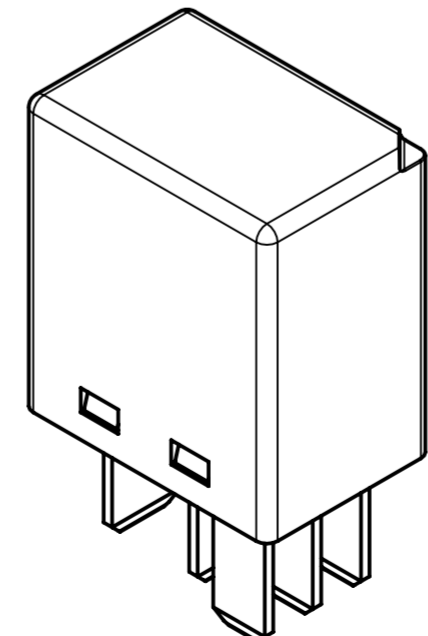
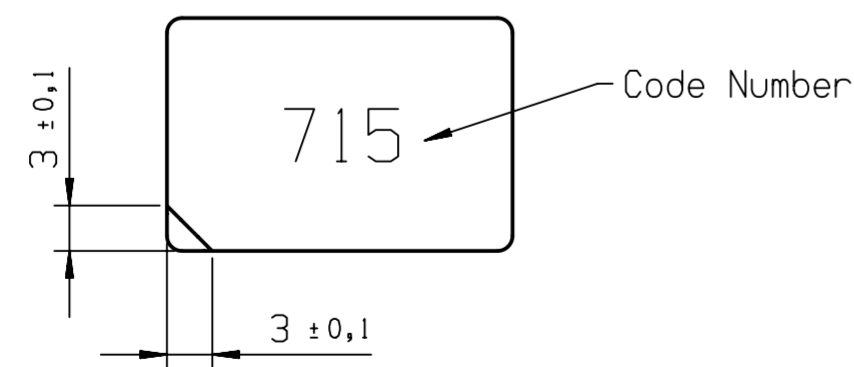
Terminal Layout
Bottom View



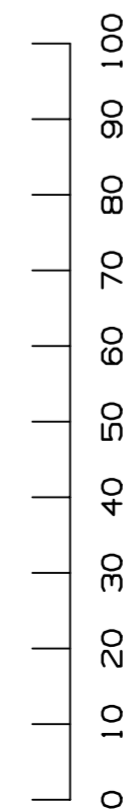
Terminal Shape (1,2,4) with 4.8x0.8
Terminal Shape (3,5) with 6.3x0.8

- 1) Cover colour: Black
- 2) Alternative packaging supplied by TE Brazil: 1989768-1 (Carton Box)

View From the Topside
(Rotated 180°)



PART NUMBER	MANUFACTURER PART NUMBER	COUNTRY OF ORIGIN
3-1393292-8	V23074-A1002-A403	PORTUGAL
9-1904105-4		CHINA
1989768-1 2)		PORTUGAL



<p>PROPRIETARY</p> <p>THE REPRODUCTION, TRANSMISSION OR USE OF THIS DOCUMENT OR IT'S CONTENTS IS NOT PERMITTED WITHOUT EXPRESSED WRITTEN AUTHORITY. OFFENDERS WILL BE LIABLE FOR ALL DAMAGES. ALL RIGHTS, INCLUDING RIGHTS CREATED BY REGISTERED PATENT(S) GRANTED FOR A UTILITY MODEL OR DESIGN, ARE RESERVED.</p>		<p>CHANGES TO THIS DRAWING MUST BE DONE ONLY IN CAD</p>	<p>PAPER SIZE</p> <p>A2</p>
<p>APPLICABLE SPEC.:</p>		<p>FINISH</p>	
<p>TOLERANCE UNLESS SPECIFIED OTHERWISE</p>		<p>DIMENSIONS APPLY</p>	<p>PLATING</p>
<p>DIMENSIONS IN MM</p>		<p>SCALE 2:1</p>	<p>WEIGHT</p>
<p>DATE</p> <p>22FEB2013</p>		<p>MATERIAL</p> <p>---</p>	
<p>NAME</p> <p>Hfranc.</p>		<p>PART NAME</p> <p>MICRO A RELAY</p> <p>DIMENSION DRAWING</p>	
<p>APP.</p>		<p>DWG NO.</p> <p>V23074-A1002-A403</p>	
<p>REV.</p>		<p>SHT. 1</p> <p>OF 1</p>	
<p>ECN-22-175239 19SEP2021 HMF</p>		<p>LOCATION PE Evora</p>	
<p>ECO-21-004021 26MAR2021 HMF</p>		<p>STE</p> <p>connectivity</p>	
<p>ECO-16-004614 24MAR2016 HMF</p>		<p>CUSTOMER DRAWING</p>	
<p>INITIAL VERSION 22FEB2013 HMF</p>		<p>CLASS 1</p>	
<p>REV. CHANGE ORDER DATE APP.</p>		<p>CLASS 1</p>	