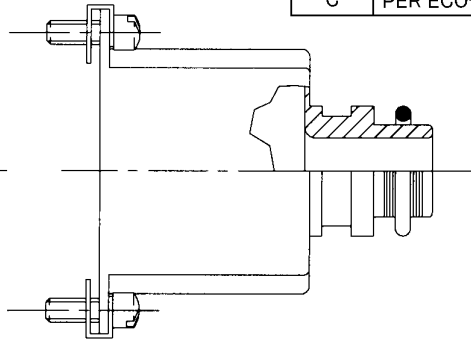
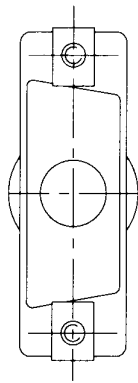
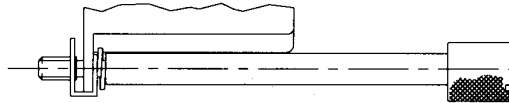


ISSUE	DESCRIPTION	DRAWN	DATE	APPR
B	CR A 0285	IRT	FEB 00	KJW
C	PER ECO-08-029441		Nov/24/08	M.P.

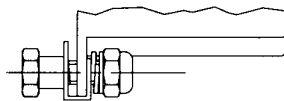


STANDARD ASSEMBLY



JACKSCREW ASSEMBLY

⑦



SCREWLOCK ASSEMBLY

⑦⑧

### D-SUBMINIATURE TINEL-LOCK ADAPTER

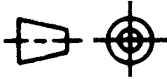
#### NOTES

- THIS PRODUCT IS DESIGNED TO TERMINATE A BRAIDED CABLE SHIELD AND A HEAT SHRINKABLE LIPPED BOOT TO A D-SUBMINIATURE CONNECTOR - SEE NOTE 6.
- SEE SHEETS 2, 3 AND 4 FOR TABLES OF DIMENSIONS, AND SHEET 5 FOR PART NUMBERING SYSTEM AND ORDERING INFORMATION.
- SEE DRAWING TR FOR DETAIL ON TINEL-LOCK RING. RINGS ARE DESIGNED TO BE HEATED ELECTRICALLY. ALL RINGS ARE MARKED WITH THERMOCHROMIC PAINT WHICH CHANGES COLOUR WHEN INSTALLATION TEMPERATURE IS REACHED.
- ADAPTER TO BE PERMANENTLY MARKED WITH CODE IDENTIFICATION NUMBER AND PART NUMBER LESS RING DESIGNATOR. (e.g. 06090 TXS55-AC00-1505). RINGS SHALL BEAR NO MARKING.
- TINEL-LOCK RING IS TO BE SPECIFIED IN PART NUMBER WHEN ORDERING.
- ADAPTER MATES TO MIL-DTL-24308 SERIES CONNECTORS.
- ALTERNATIVE FASTENING HARDWARE SUPPLIED FOR 00 AND 90 ADAPTER ASSEMBLIES.
- ALTERNATIVE FASTENING HARDWARE SUPPLIED FOR 45 ADAPTER ASSEMBLIES.
- NON-STANDARD ENTRY SIZES ARE AVAILABLE ON REQUEST.
- FOR ALTERNATIVE MATERIALS/FINISHES - CONTACT TYCO ELECTRONICS.
- 45° AND 90° ADAPTER ASSEMBLIES HAVE UN-POLARIZED SHELLS. CABLE ENTRIES ARE REVERSIBLE.

If this document is printed it becomes uncontrolled. Check for the latest revision

© 2008 Tyco Electronics Corporation All Rights Reserved.

## CUSTOMER DRAWING

THIRD ANGLE PROJECTION 		CAD NAME: TXS55	TYCO ELECTRONICS		Raychem Adapters 300 CONSTITUTION DRIVE MENLO PARK, CA 94025 U.S.A.		
DO NOT SCALE THIS DRAWING			TITLE TINEL-LOCK ADAPTERS FOR D-SUBMINIATURE CONNECTORS				
DRAWN	IRT	DATE JAN 98	THIS DRAWING AND THE INFORMATION SET FORTH HEREON ARE THE PROPERTY OF TYCO ELECTRONICS AND ARE TO BE HELD IN TRUST AND CONFIDENCE. PUBLICATION, DUPLICATION, DISCLOSURE OR USE FOR ANY OTHER PURPOSE NOT EXPRESSLY AUTHORISED IN WRITING BY TYCO ELECTRONICS IS PROHIBITED.	SIZE	CAGE CODE:	DRAWING NUMBER	REV:
CHECKED	KJW	JAN 98		<b>A</b>	06090	TXS55	<b>C</b>
APPROVED	KJW	JAN 98					
PROJECT NO	85110						SHEET 1 OF 5

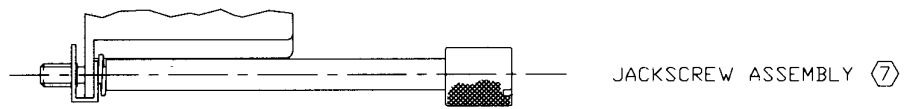
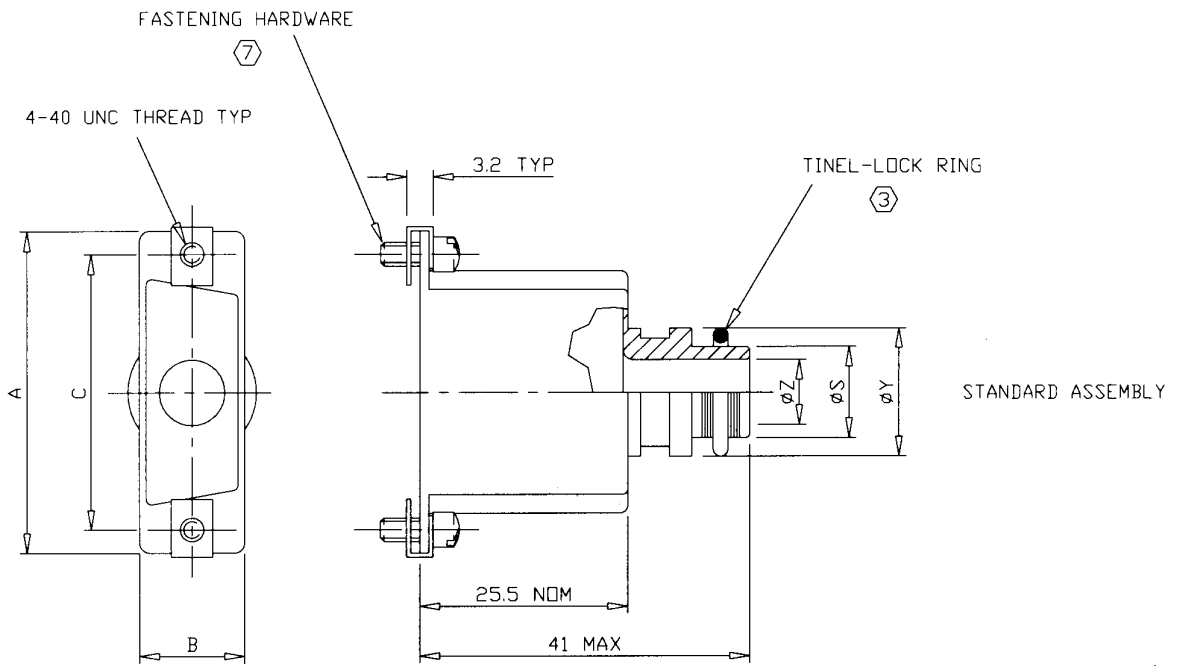


TABLE I

ORDER NUMBER (6)	STD ENTRY SIZE	A ±.03 [±0.75]	B ±.015 [±0.4]	C ±.004 [±0.1]
09	04	1.21 [30.75]	.49 [12.5]	.98 [25.0]
15	05	1.54 [39.00]	.49 [12.5]	1.31 [33.3]
25	05	2.09 [53.00]	.49 [12.5]	1.85 [47.0]
37	06	2.73 [69.25]	.49 [12.5]	2.5 [63.5]
50	07	2.64 [67.00]	.61 [15.5]	2.41 [61.1]

TABLE II

ENTRY SIZE (2)	ØZ +.010 -0.020 [+0.25] [-0.50]	ØS	ØY ±.015 [±0.38]
04	.250 [6.35]	.370/.376 [9.39/9.56]	.550 [14.00]
05	.312 [7.92]	.432/.438 [10.97/11.13]	.612 [15.54]
06	.375 [9.52]	.495/.501 [12.57/12.73]	.675 [17.14]
07	.437 [11.09]	.556/.563 [14.12/14.31]	.737 [18.71]

## TINEL-LOCK (00) STRAIGHT ADAPTER

If this document is printed it becomes uncontrolled. Check for the latest revision

CUSTOMER DRAWING

THIRD ANGLE PROJECTION	CAD NAME:	SIZE	CAGE CODE:	DRAWING NUMBER	REV:
	TXS55	A	06090	TXS55	C

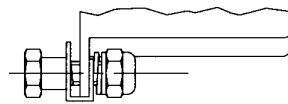
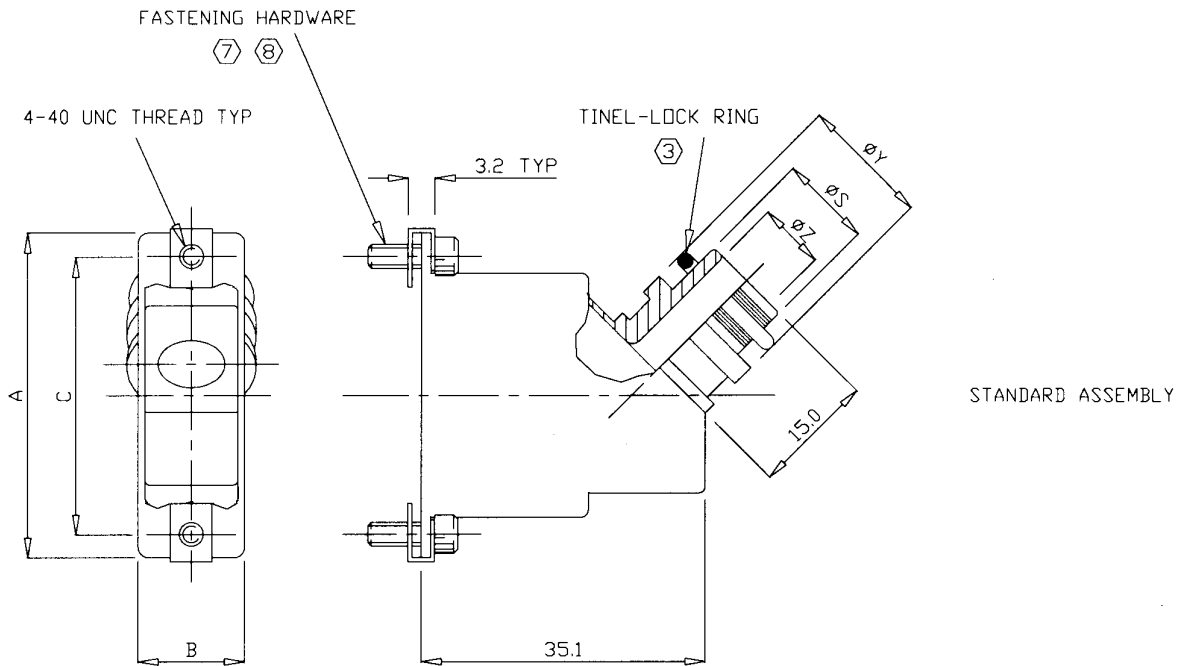


TABLE I

ORDER NUMBER (6)	STD ENTRY SIZE	A ±.03 [±0.75]	B ±.015 [±0.4]	C ±.004 [±0.1]
09	04	1.21 [30.75]	.49 [12.5]	.98 [25.0]
15	05	1.54 [39.00]	.49 [12.5]	1.31 [33.3]
25	05	2.09 [53.00]	.49 [12.5]	1.85 [47.0]
37	06	2.73 [69.25]	.49 [12.5]	2.5 [63.5]
50	07	2.64 [67.00]	.61 [15.5]	2.41 [61.1]

TABLE II

ENTRY SIZE (2)	ØZ +.010 - .020 [+0.25] [-0.50]	ØS	ØY ±.015 [±0.38]
04	.250 [6.35]	.370/.376 [9.39/9.56]	.550 [14.00]
05	.312 [7.92]	.432/.438 [10.97/11.13]	.612 [15.54]
06	.375 [9.52]	.495/.501 [12.57/12.73]	.675 [17.14]
07	.437 [11.09]	.556/.563 [14.12/14.31]	.737 [18.71]

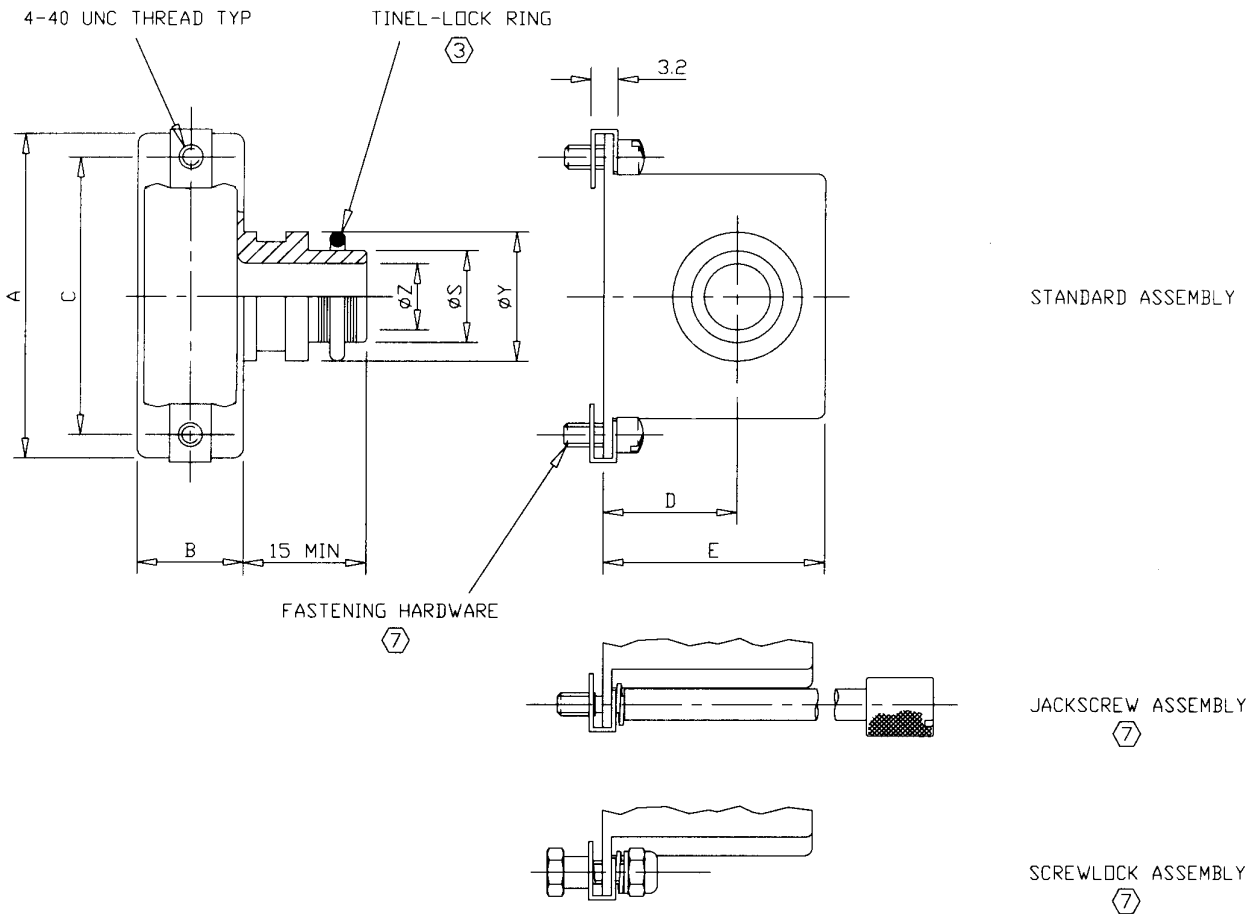
## TINEL-LOCK 45° ADAPTER

## CUSTOMER DRAWING

If this document is printed it becomes uncontrolled. Check for the latest revision

THIRD ANGLE PROJECTION	CAD NAME:	SIZE	CAGE CODE:	DRAWING NUMBER	REV:
	TXS55	A	06090	TXS55	C

SHEET 3 OF 5



ORDER NUMBER	STD ENTRY SIZE	A ±.03 [±0.75]	B ±.015 [±0.4]	C ±.004 [±0.1]	D ±.010 [± 0.25]	E ±.010 [± 0.25]
09	04	1.21 [30.75]	.49 [12.5]	.98 [25.0]	.62 [ 15.7]	1.00 [ 25.4]
15	05	1.54 [39.00]	.49 [12.5]	1.31 [33.3]	.65 [ 16.5]	1.06 [ 26.9]
25	05	2.09 [53.00]	.49 [12.5]	1.85 [47.0]	.65 [ 16.5]	1.06 [ 26.9]
37	06	2.73 [69.25]	.49 [12.5]	2.5 [63.5]	.69 [ 17.5]	1.14 [ 28.9]
50	07	2.64 [67.00]	.61 [15.5]	2.41 [61.1]	.71 [ 18.0]	1.18 [ 30.0]

ENTRY SIZE	ØZ +.010 -.020 [+0.25] [-0.50]	ØS	ØY ±.015 [±0.38]
04	.250 [6.35]	.370/.376 [9.39/9.56]	.550 [14.00]
05	.312 [7.92]	.432/.438 [10.97/11.13]	.612 [15.54]
06	.375 [9.52]	.495/.501 [12.57/12.73]	.675 [17.14]
07	.437 [11.09]	.556/.563 [14.12/14.31]	.737 [18.71]

## TINEL-LOCK 90° ADAPTER

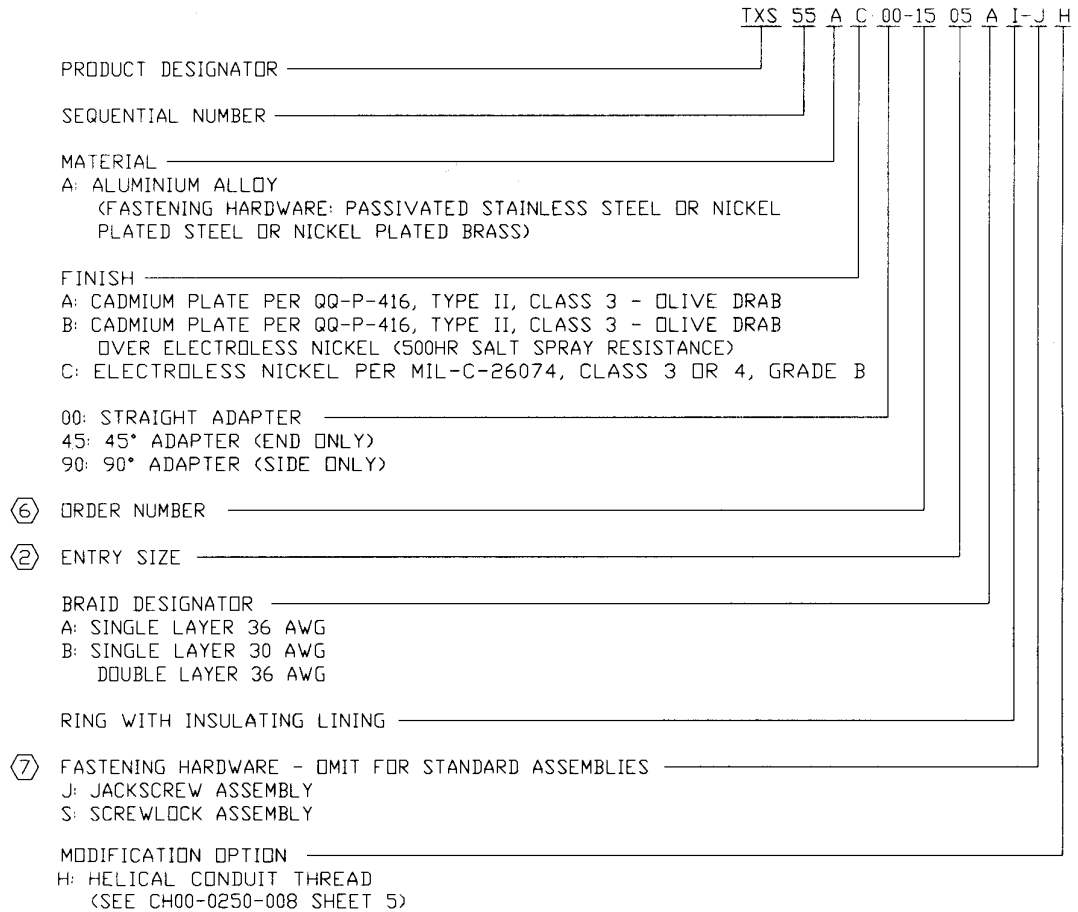
If this document is printed it becomes uncontrolled. Check for the latest revision

CUSTOMER DRAWING

THIRD ANGLE PROJECTION		CAD NAME:	SIZE	CAGE CODE:	DRAWING NUMBER	REV:
		TXS55	A	06090	TXS55	C

SHEET 4 OF 5

PART NUMBERING SYSTEM



## TINEL-LOCK ADAPTER

If this document is printed it becomes uncontrolled. Check for the latest revision

© 2008 Tyco Electronics Corporation All Rights Reserved.

# CUSTOMER DRAWING

THIRD ANGLE PROJECTION		CAD NAME: TXS55	SIZE <b>A</b>	CAGE CODE: 06090	DRAWING NUMBER TXS55	REV: <b>C</b>
SHEET 5 OF 5						