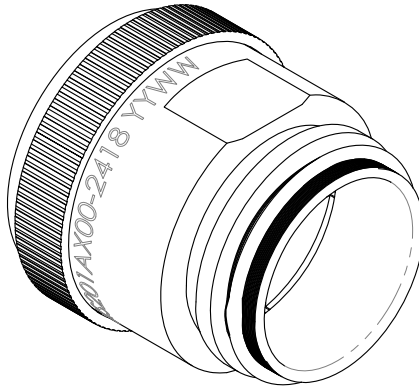


REVISION			
REV	DESCRIPTION	DATE	APPROVED
A1	REVISED PER ECO-15-002627	02/18/15	I. MYONG



TINEL-LOCK ADAPTER FOR CEE-LOK CONNECTOR

NOTES

1. THIS PRODUCT IS DESIGNED TO TERMINATE A BRAIDED CABLE SHIELD AND A HEAT SHRINKABLE LIPPED BOOT TO A CONNECTOR.
2. SEE DRAWING "TR" FOR DETAIL ON TINEL-LOCK RING. RINGS ARE DESIGNED TO BE HEATED ELECTRICALLY. ALL RINGS ARE MARKED WITH THERMOCHROMIC PAINT WHICH CHANGES COLOR WHEN INSTALLATION TEMPERATURE IS REACHED.
3. ADAPTER IS INDIVIDUALLY PACKED AND LABELED WITH CODE IDENTIFICATION AND PART NUMBER (e.g. 06090-TXS201AX00-2418 YYWW).
4. TINEL-LOCK RING IS TO BE SPECIFIED IN PART NUMBER WHEN ORDERING. SEE PART NUMBERING SYSTEM.
5. ADAPTER MATES TO DEUTSCH CEE-LOK SERIES CONNECTORS.
6. CONTACT TE FOR SIZES, ADDITIONAL MATERIAL AND FINISH.

© 2015 TE CONNECTIVITY LTD. FAMILY OF COMPANIES. ALL RIGHTS RESERVED
 TE CONNECTIVITY AND TE CONNECTIVITY (LOGO) ARE TRADEMARKS.
 OTHER LOGOS PRODUCT AND/OR COMPANY NAMES MAY BE
 TRADEMARKS OF THEIR RESPECTIVE OWNERS.

Raychem Adapters
 CUSTOMER DRAWING

UNLESS OTHERWISE SPECIFIED DIMENSIONS ARE IN INCHES.	
DECIMALS: .000 ± .010 .00 ± .02 .0 ± .03	ANGLES: ± 0° 30' ROUGHNESS IN MICRON
DIMENSIONING AND TOLERANCING PER ASME Y14.5-2009	



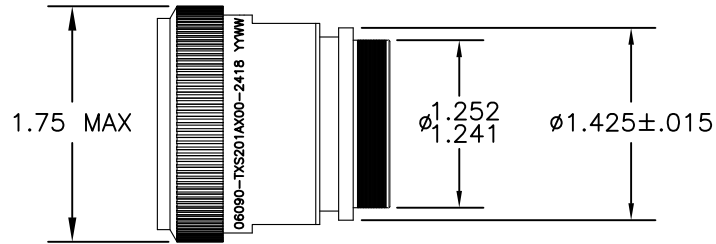
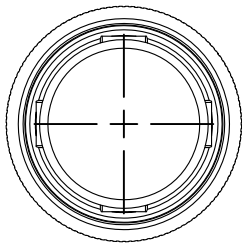
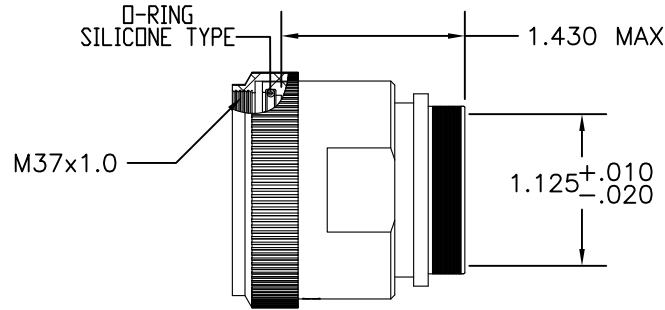
TE Connectivity

TYCO CONNECTIVITY RESERVES THE RIGHT TO CHANGE THIS DRAWING AT ANYTIME. USERS SHOULD EVALUATE THE SUITABILITY OF THE PRODUCT FOR THEIR APPLICATION.

TITLE:
 TINEL-LOCK ADAPTER
 FOR CEE-LOK CONNECTOR

DRAWING NO: **TXS201** REV. **A1**

DRAWN: T. NGUYEN	CAD FILE: TXS201.DWG	CAGE CODE: 06090	RPN: N/A	SIZE: A	SCALE: 1:1	THIRD ANGLE PROJ. 	SHEET: 1 OF 2
---------------------	-------------------------	---------------------	-------------	------------	---------------	-----------------------	------------------



PART NUMBERING

TXS201 A X 00 - 24 18 BI

- PRODUCT DESIGNATOR
TXS=SPECIAL ADAPTER
- MATERIAL CODE:
A=ALUMINIUM ALLOY
- PLATING CODE:
X=NICKEL PTFE (SEE S-CH00-0157-002)
COLOR: NON-REFLECTIVE
- BODY STYLE:
00=STRAIGHT
- ORDER NUMBER
- ENTRY SIZE
- TINEL-LOCK RING
BI-DUAL LAYER 36 AWG BRAID OR SINGLE LAYER 30 AWG BRAID
AI-SINGLE LAYER 36 AWG BRAID

© 2015 TE CONNECTIVITY LTD. FAMILY OF COMPANIES. ALL RIGHTS RESERVED
TE CONNECTIVITY AND TE CONNECTIVITY (LOGO) ARE TRADEMARKS.
OTHER LOGOS PRODUCT AND/OR COMPANY NAMES MAY BE
TRADEMARKS OF THEIR RESPECTIVE OWNERS.

Raychem Adapters
CUSTOMER DRAWING

		DRAWING NO: TXS201		REV. A1
CAD FILE: TXS201.DWG	CAGE CODE: 06090	RPN: N/A	SIZE: A	SCALE:
			THIRD ANGLE PROJ. 	SHEET: 2_OF_2