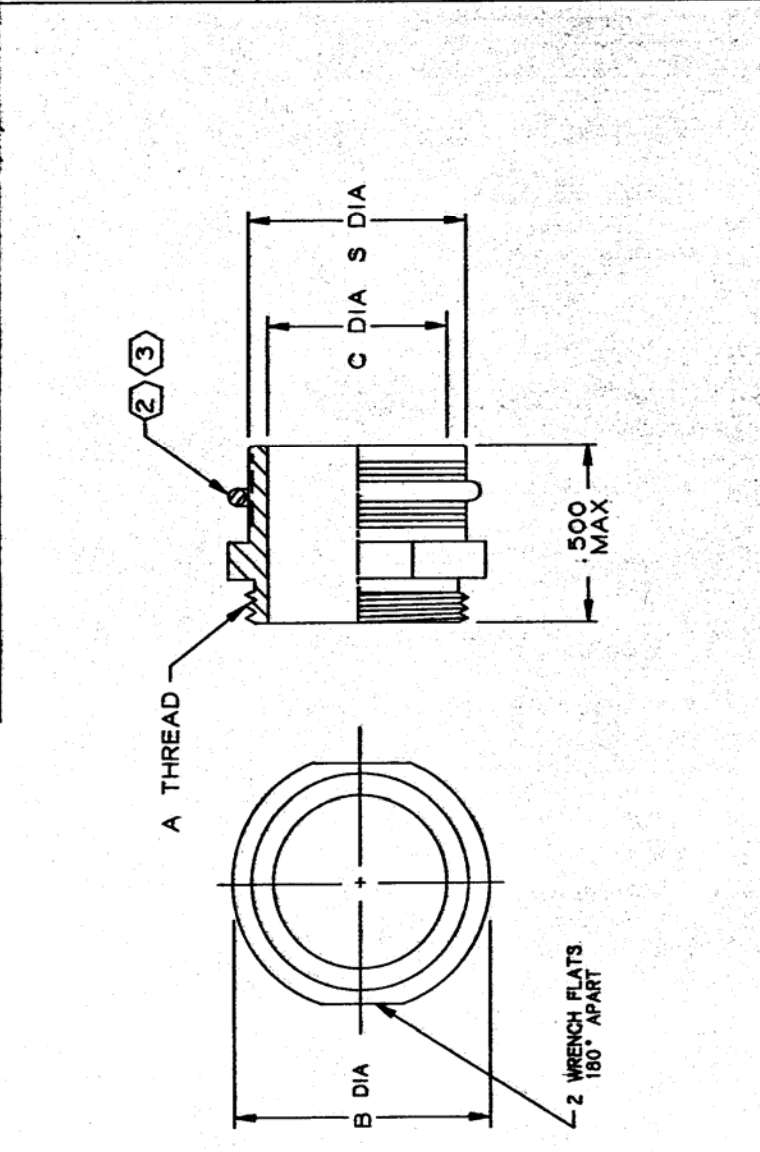


REV. NO.	DESCRIPTION	DATE	APPROVED
NONE	INITIAL RELEASE PER ECO AP-233	1/23/83	P. O.



- NOTES:
- ALL INTERNAL EDGES SHALL BE ROUNDED.
 - SEE DRAWING 925078 FOR DETAIL ON TINEL-LOCK RING. THE TINEL RING IS AVAILABLE IN TWO TYPES. RINGS DESIGNED TO BE HEATED ELECTRICALLY HAVE A THIN DIELECTRIC LINING ON THE INSIDE DIAMETER. RINGS TO BE INSTALLED WITH A HOT AIR GUN HAVE NO LINING. ALL RINGS ARE MARKED WITH THERMOCHROMIC PAINT WHICH CHANGES COLOR WHEN INSTALLATION TEMPERATURE IS REACHED.
 - RINGS SHALL BEAR NO MARKING.
 - TEMPERATURE RANGE FOR ALUMINUM ALLOY: -65° C TO +150° C.
 - ADAPTER TO BE PERMANENTLY MARKED WITH ASSEMBLY PART NO LESS RING DESIGNATOR (EG: TXS10AU08) AND CODE IDENT. NO. (06090).
 - ADAPTER MATES TO: DEUTSCH DSM, RSM, SAK CONNECTORS.
 - THIS PRODUCT IS DESIGNED TO TERMINATE A BRAIDED CABLE SHIELD.

TABLE 1

ENTRY SIZE	SHELL SIZE	A THD CLASS 2A	B MAX	C ±.020	S
08	7	.625-24 UNEF	.781	.531	.628 .619
12	16 & 19	.875-20 UNEF	1.031	.781	.877 .867

ORDERING INFORMATION

TXS10 AU 08 A I

PRODUCT DESIGNATOR

MATERIAL ALUMINUM ALLOY 6061-T6 PER QQ-A-225

FINISH : LEACHED IRIDITE PER MIL-C-3541, CLASS 1A

ENTRY SIZE

BRAID (SEE MSG-101)

BRAID A: SINGLE LAYER 36 AWG OR DOUBLE LAYER 30 AWG OR

BRAID B: SINGLE LAYER 30 AWG OR DOUBLE LAYER 36 AWG

RING WITH INSULATING LINING (OMIT IF NOT REQUIRED)

SPECIFICATION CONTROL DRAWING

DRAWN	G. BUI	1-5-89	RAYCHEM CORPORATION 300 CONSTITUTION DRIVE MILPITAS, CALIFORNIA 95028
CHECKED	D. BARTS	1-19-89	TITLE
APPROVED	D. BARTS	1-19-89	SOLID TINEL-LOCK ADAPTER
APPROVED	N. DYDO	1-23-89	CODE 71
CAD NAME			
THIRD ANGLE PROJECTION			
WEIGHT	lbs	1	g
CODE IDENT. NO.	C	06090	DRW. NO.
DO NOT SCALE THIS DRAWING			TXS 10
			SHEET 1 OF