

4

3

2

1

THIS DRAWING IS UNPUBLISHED.

RELEASED FOR PUBLICATION

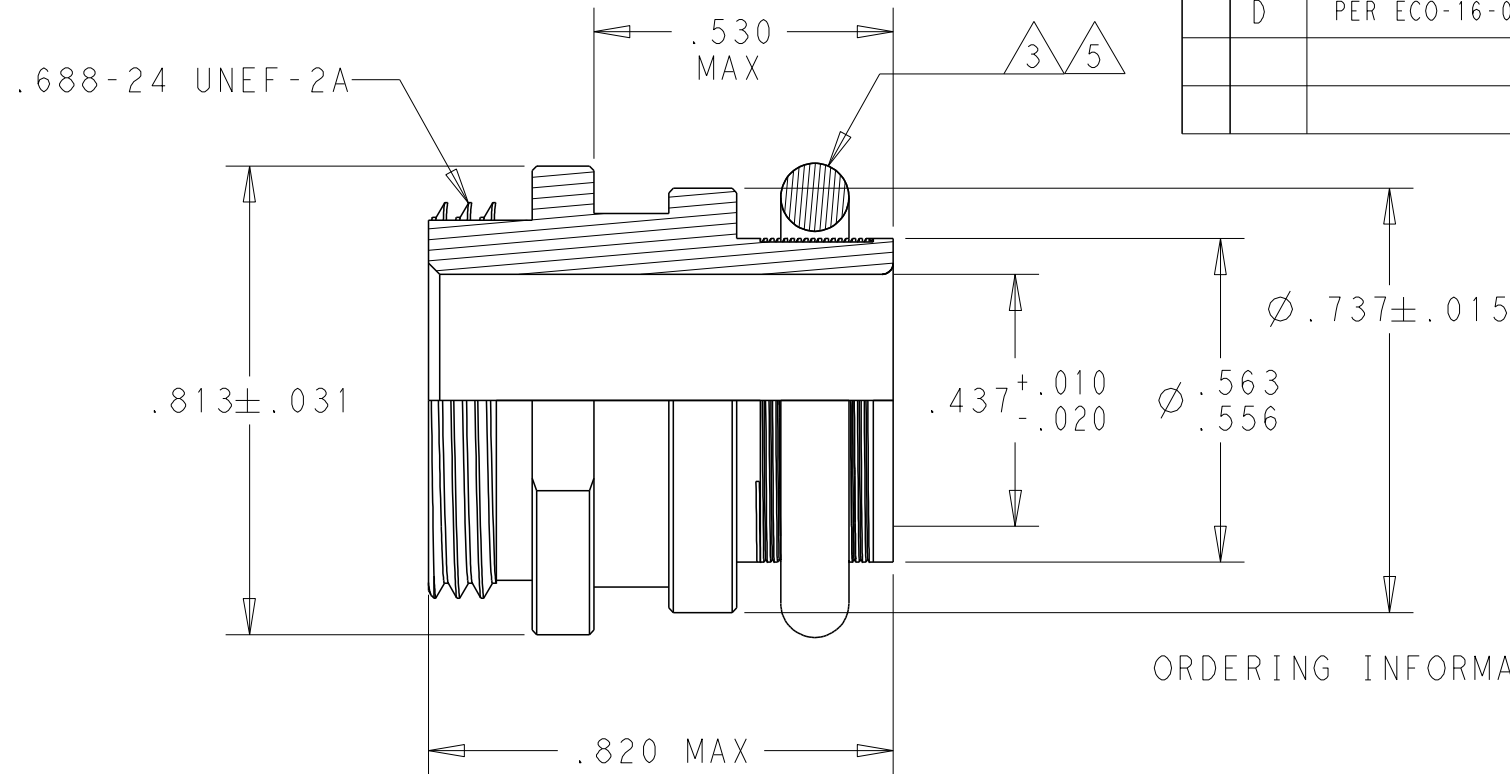
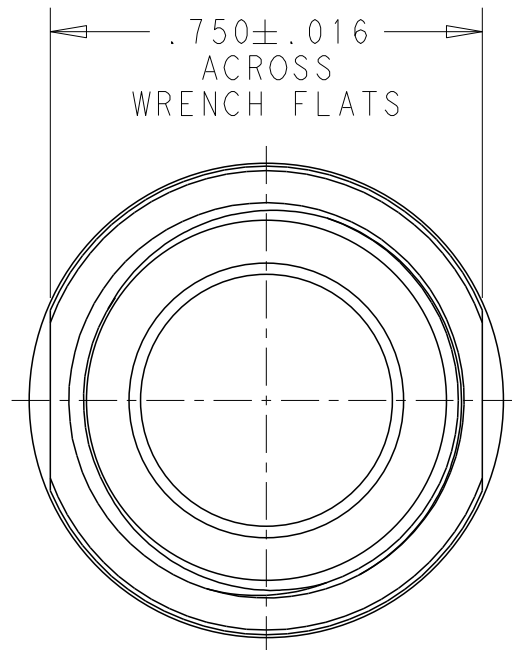
2016

© COPYRIGHT 2016 BY -

ALL RIGHTS RESERVED.

REVISIONS

P	LTR	DESCRIPTION	DATE	DWN	APVD
	C	PER ECN NO. 18067	4-11-91	G.D.	G.D.
	D	PER ECO-16-005712	07APR2016	J.O.	I.M.



ORDERING INFORMATION

PRODUCT DESIGNATOR TXS01 A C 00-07 B I

MATERIAL ALUMINUM ALLOY PER QQ-A-225

FINISH (SEE S-CH00-0157-002)

STRAIGHT ADAPTER

ENTRY SIZE

BRAID A: SINGLE LAYER 36 AWG


BRAID B: SINGLE LAYER 30 AWG OR DOUBLE LAYER 36 AWG

RING WITH INSULATING LINING

NOTES:

- ALL DIMENSIONS ARE IN INCHES.
- THIS PRODUCT IS DESIGNED TO TERMINATE TO A BRAIDED CABLE SHIELD AND A HEAT SHRINKABLE LIPPED BOOT TO A CONNECTOR.
- SEE DRAWING 925076 FOR DETAIL ON THE TINEL-LOCK RING. RINGS DESIGNED TO BE HEATED ELECTRICALLY OR WITH A HOT AIR GUN. ALL RINGS ARE MARKED WITH THERMOCHROMIC PAINT WHICH CHANGES COLOR WHEN INSTALLATION TEMPERATURE IS REACHED.
- IDENTIFICATION TO BE IN ACCORDANCE WITH MIL-STD-130. MARKING TO INCLUDE CODE IDENT. NO. AND ASSEMBLY P/N LESS RING DESIGNATOR (E.G. 06090 TXS01AC00-07)
- RINGS SHALL BEAR NO MARKING.
- ADAPTER MATES TO: GC-329 CONNECTORS.

Raychem Adapter
CUSTOMER DRAWING

THIS DRAWING IS A CONTROLLED DOCUMENT.		DWN J. OGGIER 06APR2016	 TE Connectivity		
DIMENSIONS: INCHES		CHK I. MYONG 07APR2016			
TOLERANCES UNLESS OTHERWISE SPECIFIED:		APVD I. MYONG 08APR2016	NAME SPECIAL TINEL-LOCK BOOT ADAPTER		
0 PLC ±- 1 PLC ±.1 2 PLC ±.01 3 PLC ±.001 4 PLC ±.0001 ANGLES ±-		PRODUCT SPEC -	DRAWING NO A306090C-TXS01		
MATERIAL SEE S-CH00-0157-002		APPLICATION SPEC CH00-0157-003	SIZE A306090	CAGE CODE C-TXS01	RESTRICTED TO -
FINISH SEE S-CH00-0157-002		WEIGHT -	SCALE 3:1	SHEET 1 OF 1	REV D
CUSTOMER DRAWING					

D

C

B

A