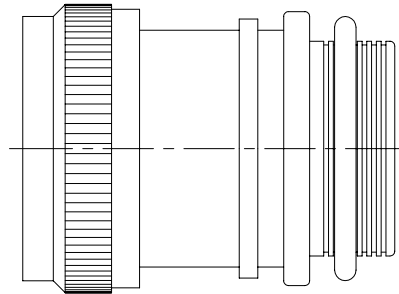


REVISIONS			
LTR	DESCRIPTION	DATE	APPROVED
B	REVISED PER DCR NO. AD96553	10/23/96	W.C.GAY



CODE 75
TINEL-LOCK ADAPTER

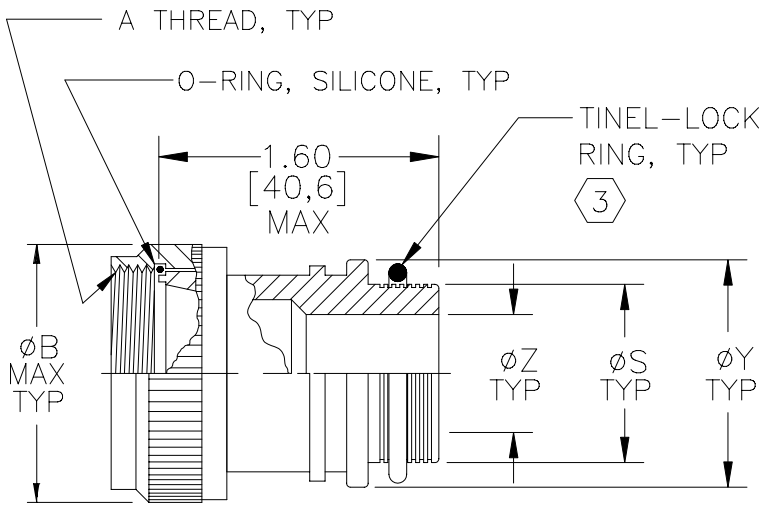
NOTES:

- THIS PRODUCT IS DESIGNED TO TERMINATE A BRAIDED CABLE SHIELD AND A HEAT SHRINKABLE LIPPED BOOT TO A CONNECTOR.
- SEE CH00-0250-008 FOR ORDERING INFORMATION, MODIFICATIONS AND ADDITIONAL DIMENSIONS.
- SEE DRAWING "TR" FOR DETAIL ON TINEL-LOCK RING. RINGS ARE DESIGNED TO BE HEATED ELECTRICALLY. ALL RINGS ARE MARKED WITH THERMOCHROMIC PAINT WHICH CHANGES COLOR WHEN INSTALLATION TEMPERATURE IS REACHED.
- ADAPTER TO BE PERMANENTLY MARKED WITH CODE IDENT. NO. AND PART NO., LESS RING DESIGNATOR (E.G.: 06090-TXR75AB00-1206). RINGS SHALL BEAR NO MARKING.
- ADAPTER MATES TO BS9522 F0032 (PATT 121) CONNECTORS; ONLY MANUFACTURED BY AB CONNECTORS LTD. SEALING IS ONLY ACHIEVED WHEN USING GROMMETS SB-**-**-G, SUPPLIED BY AB CONNECTORS.
- FOR LARGER ENTRY SIZES, A 2 PIECE ADAPTER (TYPEII) IS SUPPLIED.

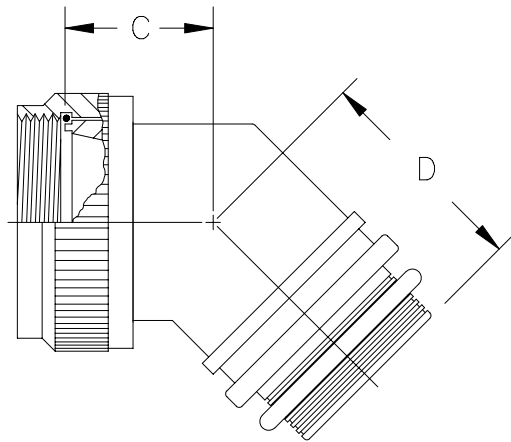
If this document is printed it becomes uncontrolled.
Check for the latest revision.

SPECIFICATION CONTROL DRAWING

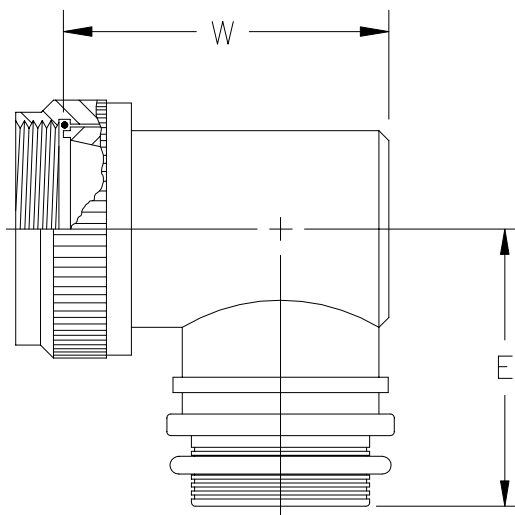
UNLESS OTHERWISE SPECIFIED DIMENSIONS ARE IN INCHES. METRIC DIMENSIONS ARE IN BRACKETS. DECIMALS .XXX ± — [mm] .XX ± — [mm] .X ± — [mm] ANGLES .X ± —	DRAWN G. ROSITANO	DATE 10/16/96		Tyco Electronics Corporation 300 Constitution Drive Menlo Park, CA. 94025 U.S.A.		
	CHECKED	DATE				
	APPROVED	DATE	TITLE TINEL-LOCK™ ADAPTER (CODE 75)			
	APPROVED W.C. GAY	DATE 10/23/96	CAD NAME \ADAPTERS\TXR75	SIZE A	CODE IDENT. NO. 06090	DWG. NO. TXR75
THIRD ANGLE PROJECTION			DO NOT SCALE THIS DWG			
SHEET 1 OF 3						



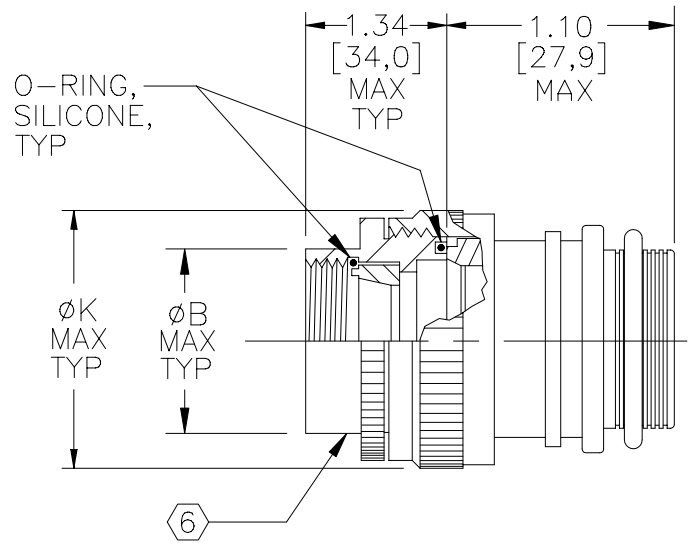
STRAIGHT ADAPTER-TYPE I



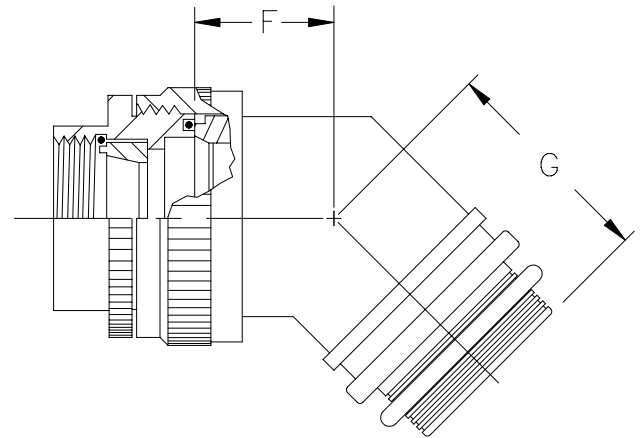
45° ADAPTER-TYPE I



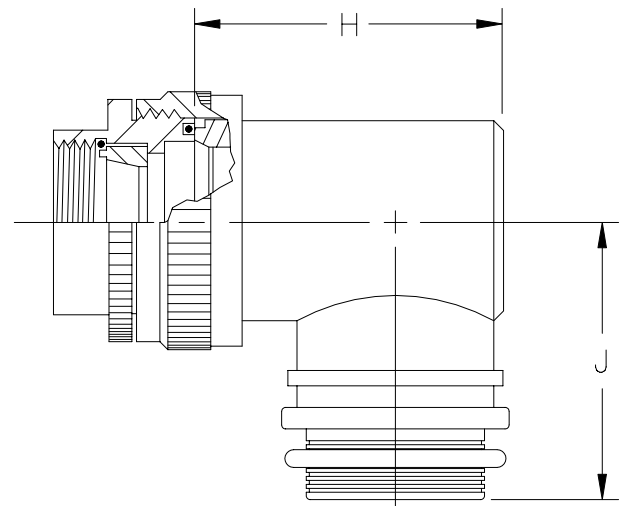
90° ADAPTER-TYPE I



STRAIGHT ADAPTER-TYPE II



45° ADAPTER-TYPE II



90° ADAPTER-TYPE II

If this document is printed it becomes uncontrolled.
Check for the latest revision.

SIZE A	CODE 06090	IDENT. NO. TXR75	DWG. NO. TXR75	REV B
DO NOT SCALE THIS DWG			CAD NAME ADAPTERS\TXR75-2	SHEET 2 OF 3

TABLE I							
ORDER NO.	SHELL SIZE 5	MAX ENTRY SIZE TYPE I 6	A THREAD CLASS 2B	B DIA MAX	C MAX	D MAX	E MAX
12	10SL	05	.625-24 UNEF	.910 [23, 1]	.882 [22, 4]	.930 [23, 6]	1.162 [29, 5]
14	14S	07	.750-20 UNEF	1.040 [26, 4]	.910 [23, 1]	.961 [24, 4]	1.221 [31, 0]
16	16	08	.875-20 UNEF	1.221 [31, 0]	.941 [23, 9]	.981 [24, 9]	1.280 [32, 5]
18	18	10	1.000-20 UNEF	1.351 [34, 3]	.961 [24, 4]	1.012 [25, 7]	1.351 [34, 3]
20	20	12	1.125-18 UNEF	1.470 [37, 3]	1.000 [25, 4]	1.071 [27, 2]	1.461 [37, 1]
22	22	14	1.250-18 UNEF	1.600 [40, 6]	1.020 [25, 9]	1.122 [28, 5]	1.532 [38, 9]
24	24	16	1.375-18 UNEF	1.730 [43, 9]	1.040 [26, 4]	1.122 [28, 5]	1.591 [40, 4]
28	28	18	1.625-18 UNEF	1.970 [50, 0]	1.091 [27, 7]	1.170 [29, 7]	1.780 [45, 2]
32	32	22	1.875-16 UN	2.221 [56, 4]	1.142 [29, 0]	1.230 [31, 2]	1.902 [48, 3]
36	36	24	2.062-16 UNS	2.453 [62, 3]	1.182 [30, 0]	1.300 [33, 0]	1.811 [46, 0]

TABLE II									
ENTRY SIZE	Z +.010 -.020	S DIA	Y ±.015 [±0, 38]	F MAX	G MAX	H MAX	J MAX	K MAX	W MAX
04	.250 [6, 35]	.376 [9, 56] .370 [9, 39]	.550 [13, 97]	—	—	—	—	—	1.120 [28, 4]
05	.312 [7, 92]	.438 [11, 13] .432 [10, 97]	.612 [15, 54]	—	—	—	—	—	1.190 [30, 2]
06	.375 [9, 52]	.501 [12, 73] .495 [12, 57]	.675 [17, 14]	.772 [19, 6]	.930 [23, 6]	1.190 [30, 2]	1.162 [29, 5]	.800 [20, 3]	1.272 [32, 3]
07	.437 [11, 09]	.563 [14, 31] .556 [14, 12]	.737 [18, 71]	.800 [20, 3]	.950 [24, 1]	1.382 [35, 1]	1.221 [31, 0]	.922 [23, 4]	1.331 [33, 8]
08	.500 [12, 70]	.626 [15, 91] .619 [15, 72]	.800 [20, 32]	.800 [20, 3]	.950 [24, 1]	1.382 [35, 1]	1.221 [31, 0]	.922 [23, 4]	1.410 [35, 8]
10	.625 [15, 87]	.752 [19, 11] .742 [18, 84]	.925 [23, 49]	.840 [21, 3]	1.000 [25, 4]	1.512 [38, 4]	1.351 [34, 3]	1.182 [30, 0]	1.571 [39, 9]
12	.750 [19, 05]	.877 [22, 28] .867 [22, 02]	1.050 [26, 67]	.860 [21, 8]	1.012 [25, 7]	1.630 [41, 4]	1.402 [35, 6]	1.351 [34, 3]	1.670 [42, 4]
14	.875 [22, 23]	1.002 [25, 46] .991 [25, 17]	1.175 [29, 84]	.882 [22, 4]	1.040 [26, 4]	1.780 [45, 2]	1.461 [37, 1]	1.410 [35, 8]	1.780 [45, 2]
16	1.000 [25, 40]	1.127 [28, 63] 1.116 [28, 34]	1.300 [33, 02]	.910 [23, 1]	1.060 [26, 9]	1.882 [47, 8]	1.532 [38, 9]	1.600 [40, 6]	1.921 [48, 8]
18	1.125 [28, 57]	1.252 [31, 81] 1.241 [31, 52]	1.425 [36, 19]	.930 [23, 6]	1.091 [27, 7]	2.012 [51, 1]	1.591 [40, 4]	1.662 [42, 2]	2.080 [52, 8]
20	1.250 [31, 75]	1.377 [34, 98] 1.366 [34, 69]	1.550 [39, 37]	.981 [24, 9]	1.130 [28, 7]	2.130 [54, 1]	1.780 [45, 2]	2.040 [51, 8]	2.201 [55, 9]
22	1.375 [34, 93]	1.502 [38, 15] 1.488 [37, 79]	1.675 [42, 55]	1.032 [26, 2]	1.382 [35, 1]	2.292 [58, 2]	1.851 [47, 0]	2.230 [56, 6]	2.311 [58, 7]
24	1.500 [38, 10]	1.627 [41, 33] 1.613 [40, 97]	1.800 [45, 72]	1.080 [27, 4]	1.441 [36, 6]	2.421 [61, 5]	1.922 [48, 8]	2.230 [56, 6]	2.430 [61, 7]

If this document is printed it becomes uncontrolled.
Check for the latest revision.

SIZE A	CODE 06090	IDENT. NO.	DWG. NO. TXR75	REV B
DO NOT SCALE THIS DWG			CAD NAME ADAPTERS\TXR75-3	SHEET 3 OF 3