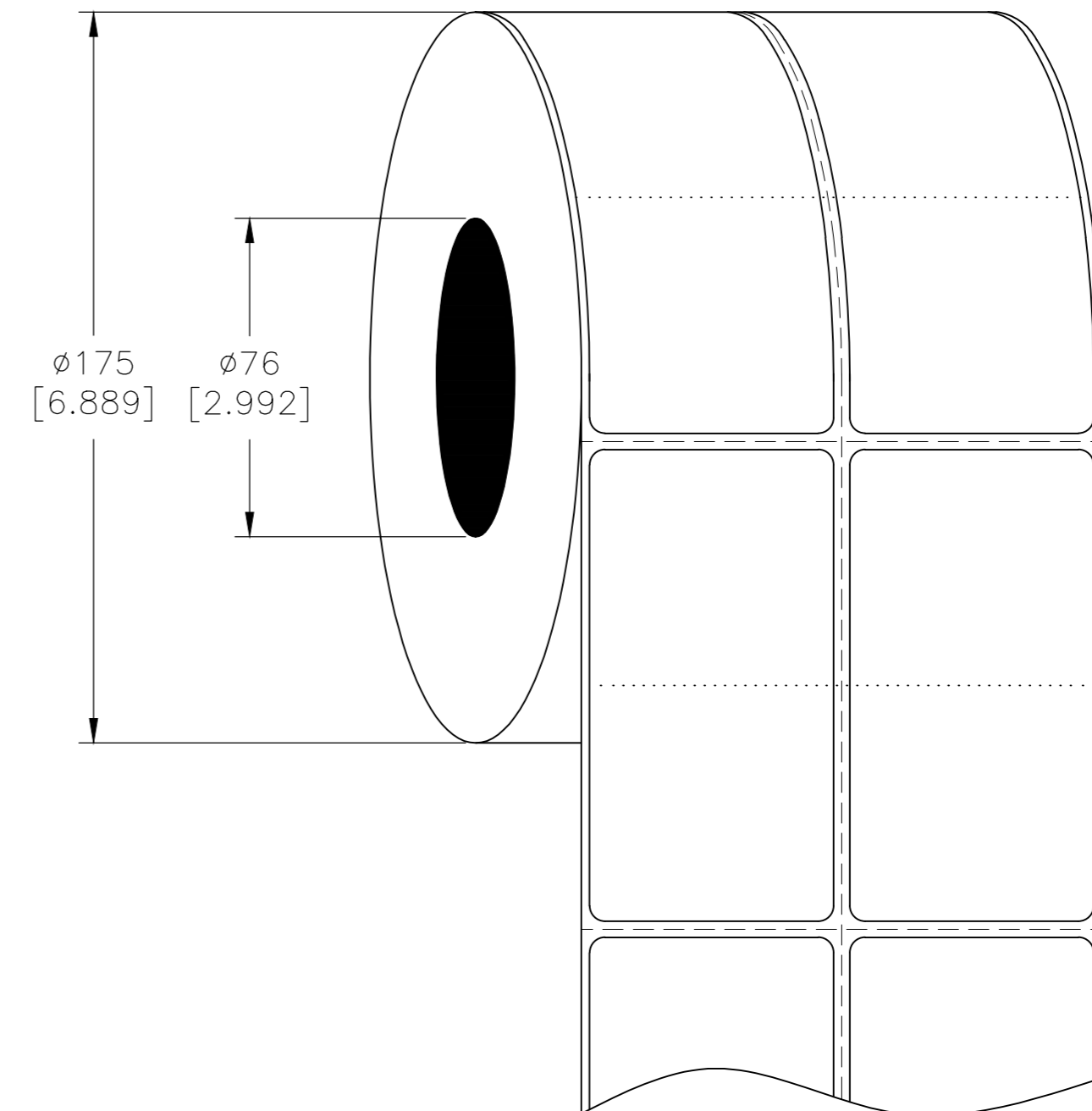
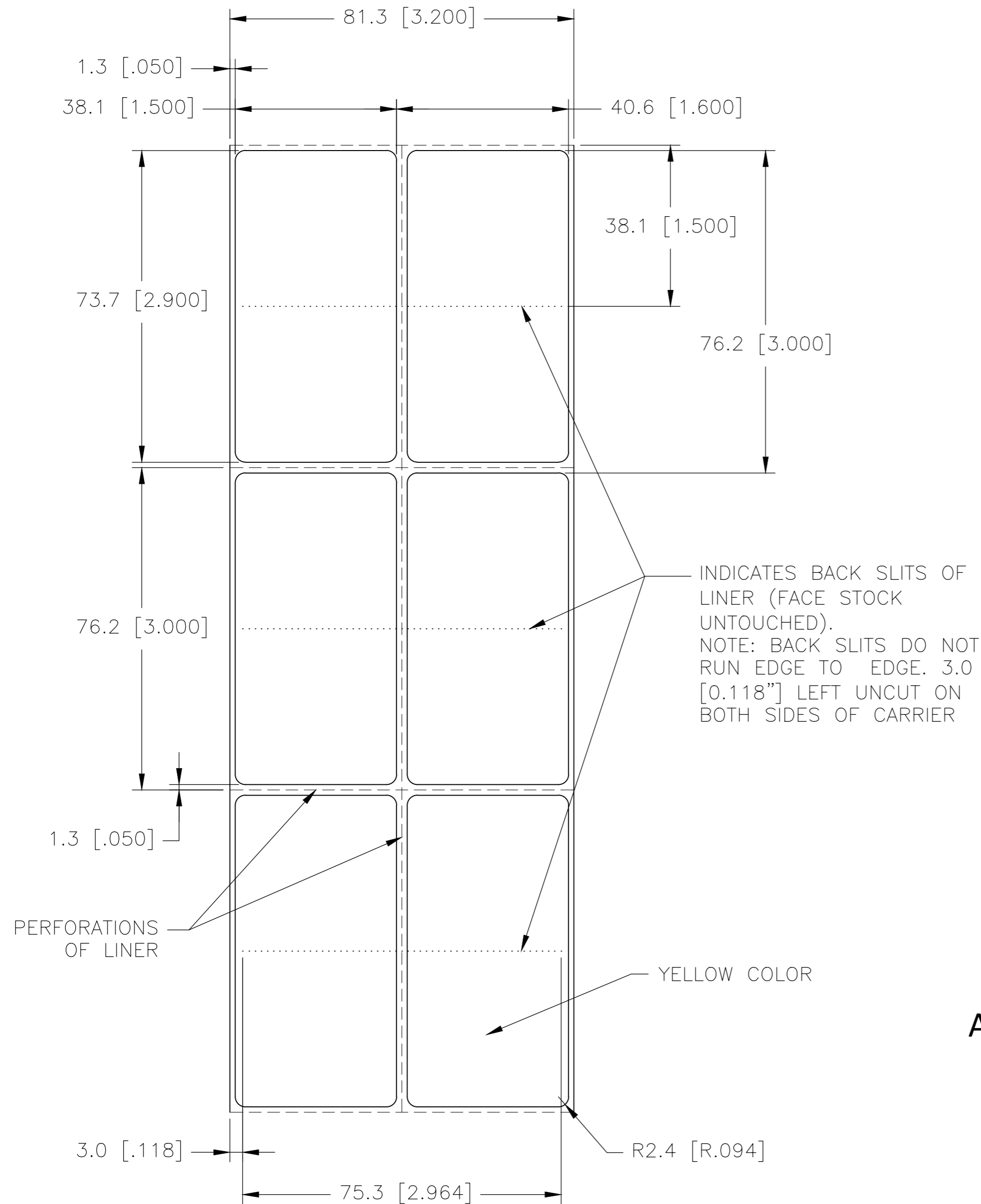


REVISIONS				
P	LTR	DESCRIPTION	DATE	APVD
A		NEW DRAWING	13MAY2020	GK DB

LABEL AND LINER DESIGN

PRESENTATION



**OUTSIDE WOUND
LABEL ACROSS: 2
PER ROLL QTY: 2,500**

All dimensions in mm [Inch]

TE PN: CN3653-000

MATERIAL	POLYVINYL FLUORIDE (TEDLAR®)
ADHESIVE TYPE	PERMANENT ACRYLIC
LINEAR	BROWN KRAFT

TOLERANCES mm [INCH] LABEL HEIGHT: ±0.3 [.012] LABEL WIDTH: ±0.3 [.012] WEB WIDTH: ±0.8 [.031] VERTICAL REPEAT: ±0.8 [.031]* HORIZONTAL REPEAT: ±0.8 [.031]* PRINT POSITIONING: ±0.8 [.031]* LEFT MARGIN: ±0.4 [.016] QUANTITY: -0 % +2 % *NON ACCUMULATING	THIS DRAWING IS A CONTROLLED DOCUMENT.		DWN 13MAY2020 GOPALAKRISHNA HV		NAME TEDLAR® LABEL - YELLOW - 2 ACCROSS 38.1mm x 73.7mm (1.5inch x 2.9inch)
	DIMENSIONS: mm [INCHES]	TOLERANCES UNLESS OTHERWISE SPECIFIED: 0 PLC ± 1 PLC ± 2 PLC ± 3 PLC ± 4 PLC ± ANGLES ±	CHK 13MAY2020 D.BURGAT APVD 13MAY2020 D.BURGAT PRODUCT SPEC TTDS-005 APPLICATION SPEC		
MATERIAL SEE TABLE	FINISH GLOSS	WEIGHT 0.384g	CAGE CODE FB1U7	DRAWING NO TTVF1529YW2.5	RESTRICTED TO -
CUSTOMER DRAWING			SCALE NTS	SHEET 1 of 1	REV A